

UMM-WMT-32 wall mount for monitor 32 inch, tilt

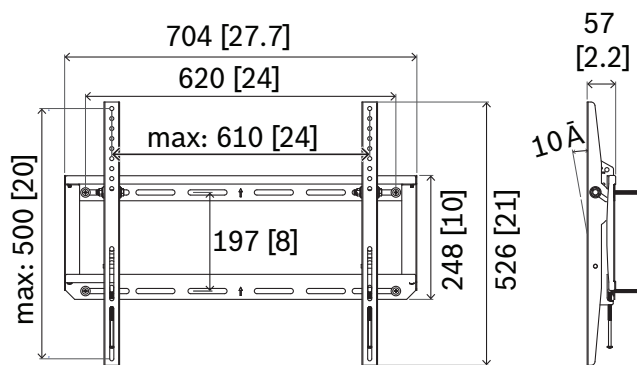


The UMM-WMT-32 tilt wall mount combines a robust design and high-grade materials to offer a sturdy LCD monitor support that is easy to install.

Functions

The UMM-WMT-32 tilt wall mount accommodates a 32-inch LCD monitor with mounting holes spaced 610 mm (24 in.) horizontally. The mount can support a monitor up to 60 kg (132.3 lb.) in weight, and offers a tilt range of 20°.

Installation/configuration notes



Dimensions in mm (inch)

Parts included

Quantity	Component
1	Wall mount bracket
4	Plastic holders

- ▶ Easy installation
- ▶ Maximum load: 60 kg (132.3 lb.)
- ▶ Supports all LCD monitors with a VESA®-compliant pattern

Quantity	Component
4	M6 x 35 screws
4	Washers
6	Plastic wall anchors
6	Anchor bolts
2	Safety pins

Technical specifications

Mechanical

Dimension (H x W x D) (mm)	526 mm x 704 mm x 57 mm
Dimension (H x W x D) (in)	20.7 in x 27.7 in x 2.2 in
Weight (g)	350 g
Weight (lb)	7.70 lb
Supported monitor type	32-in. LCD monitors
Maximum weight capacity (kg)	60 kg
Maximum weight capacity (lb)	132.2 lb.
Tilt range (°)	0° – 20°
Material	Steel
Color	Black

Ordering information

UMM-WMT-32 wall mount for monitor 32 inch, tilt

Tilt wall mount (black) for 32 inch LCD monitors.

Order number **UMM-WMT-32 | F.01U.281.670**

Represented by:

Europe, Middle East, Africa:

Bosch Security Systems B.V.
P.O. Box 80002
5600 JB Eindhoven, The Netherlands
Phone: + 31 40 2577 284
www.boschsecurity.com/xc/en/contact/
www.boschsecurity.com

Germany:

Bosch Sicherheitssysteme GmbH
Robert-Bosch-Ring 5
85630 Grasbrunn
Tel.: +49 (0)89 6290 0
Fax: +49 (0)89 6290 1020
de.securitysystems@bosch.com
www.boschsecurity.com

North America:

Bosch Security Systems, LLC
130 Perinton Parkway
Fairport, New York, 14450, USA
Phone: +1 800 289 0096
Fax: +1 585 223 9180
onlinehelp@us.bosch.com
www.boschsecurity.com

Asia-Pacific:

Robert Bosch (SEA) Pte Ltd, Security Systems
11 Bishan Street 21
Singapore 573943
Phone: +65 6571 2808
Fax: +65 6571 2699
www.boschsecurity.com/xc/en/contact/
www.boschsecurity.com