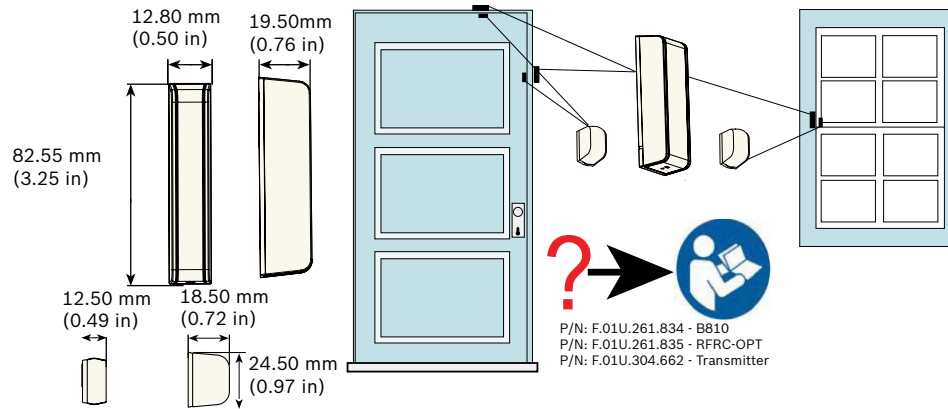


RADION contact SM
RFDW-SM/RFDW-SM-A



Installation Manual



P/N: F.01U.261.834 - B810
P/N: F.01U.261.835 - RFRC-OPT
P/N: F.01U.304.662 - Transmitter

UL - only models RFDW-SM-A are evaluated by UL
UL634: Standard for Connectors and Switches for use with Burglar-Alarm Systems
UL1023: Household Burglar-Alarm System Units

FCC, Part 15
Industry Canada (IC)
INCERT
B-509-0072
RFDW-SM only

VdS
HI16003
RFDW-SM only

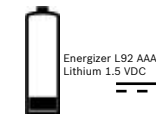
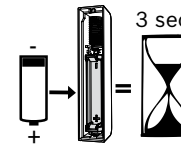
Bosch YouTube Channel:



CE
EN
EN 50131-2-6
EN 50131-5-3
Grade 2
Environment Class II

ANATEL

Brazil	ANATEL	Modelo: RFDW-SM-A 02798-13-01855	Este equipamento opera em caráter secundário, isto é, não tem direito a proteção contra interferência prejudicial, mesmo de estações do mesmo tipo, e não pode causar interferência a sistemas operando em caráter primário
--------	--------	----------------------------------	---

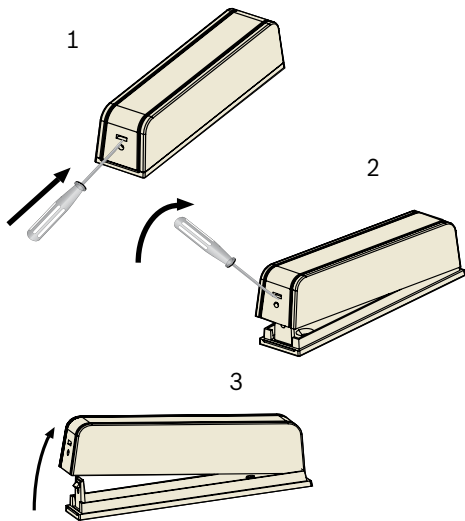


433.42 MHz
10 mW maximum
0 - 93% Non-condensing humidity

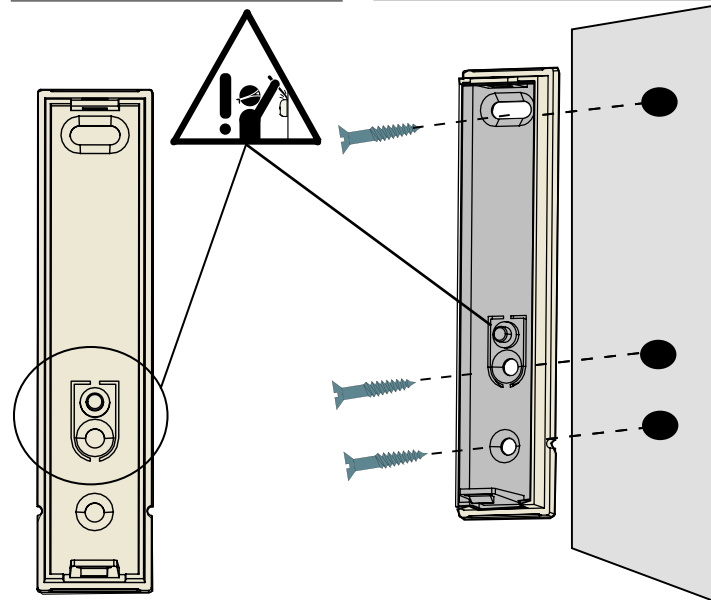


Functional range: -10°C to +55°C (+14°F to +131°F)
UL only: 0°C to +49°C (+32°F to +120°F)
EN 50130-5 Class II: -10°C to +55°C (+14°F to +131°F)
IP30/IK04

1

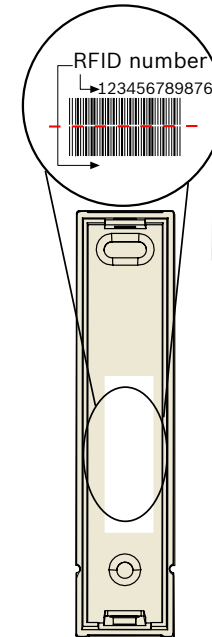


2

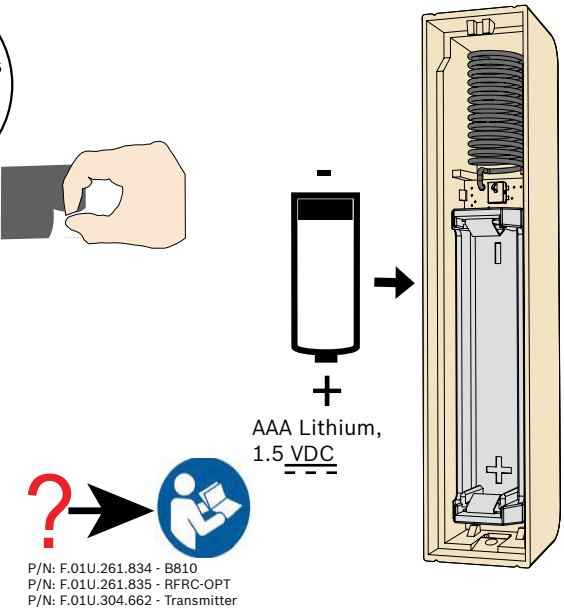


3

4

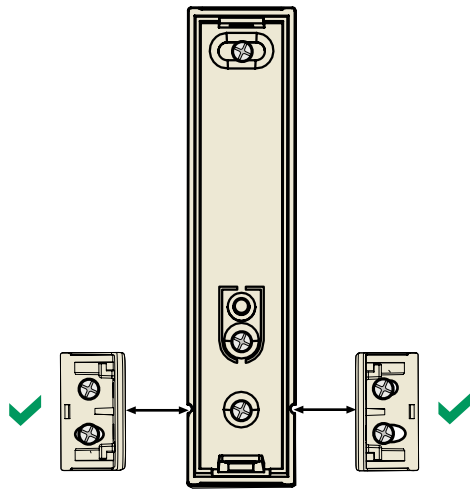


5

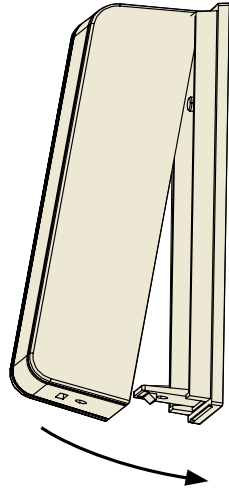


P/N: F.01U.261.834 - B810
P/N: F.01U.261.835 - RFRC-OPT
P/N: F.01U.304.662 - Transmitter

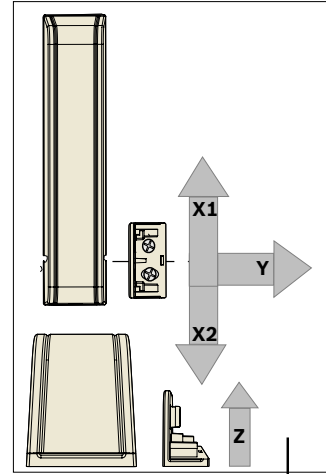
6



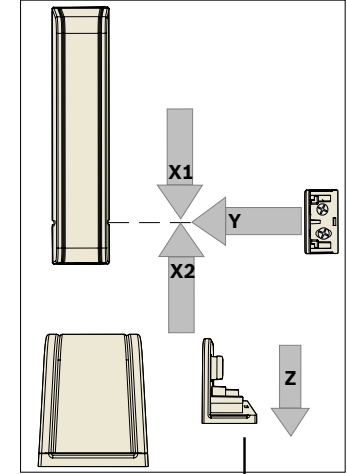
7



8

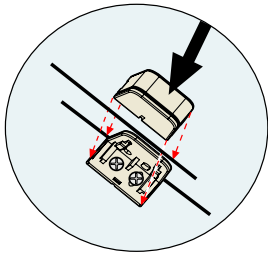


	Y	20.0 ± 4.0 mm (0.79 ± 0.16 in)
	X1	13.0 ± 3.0 mm (0.51 ± 0.12 in)
	X2	15.5 ± 4.5 mm (0.61 ± 0.18 in)
	Z	23.0 ± 5.0 mm (0.91 ± 0.13 in)
	Y	14.0 ± 7.0 mm (0.55 ± 0.28 in)
	X1	13.0 ± 5.0 mm (0.51 ± 0.13 in)
	X2	14.0 ± 6.0 mm (0.55 ± 0.24 in)
	Z	21.5 ± 1.5 mm (0.85 ± 0.06 in)



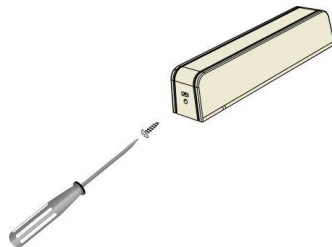
	Y	19.0 ± 4.0 mm (0.75 ± 0.16 in)
	X1	12.0 ± 3.0 mm (0.47 ± 0.12 in)
	X2	14.5 ± 4.5 mm (0.57 ± 0.18 in)
	Z	22.0 ± 5.0 mm (0.87 ± 0.13 in)
	Y	13.0 ± 7.0 mm (0.51 ± 0.28 in)
	X1	12.0 ± 5.0 mm (0.47 ± 0.13 in)
	X2	13.0 ± 6.0 mm (0.51 ± 0.24 in)
	Z	20.5 ± 1.5 mm (0.81 ± 0.06 in)

9

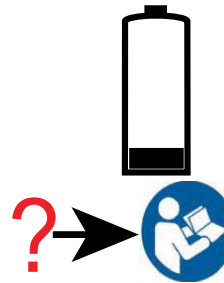


P/N: F.01U.261.834 - BB10
P/N: F.01U.261.835 - RFRC-OPT
P/N: F.01U.304.662 - Transmitter

10



11



P/N: F.01U.261.834 - BB10
P/N: F.01U.261.835 - RFRC-OPT
P/N: F.01U.304.662 - Transmitter

Copyright

This document is the intellectual property of Bosch Security Systems B.V. and is protected by copyright. All rights reserved.

Trademarks

All hardware and software product names used in this document are likely to be registered trademarks and must be treated accordingly.

Determine Bosch Security Systems B.V. Product Manufacturing Dates

Use the serial number located on the product label and refer to the Bosch Security Systems B.V. web site at:

<http://www.boschsecurity.com/datecodes/>.

