

This manual is applicable to these products.

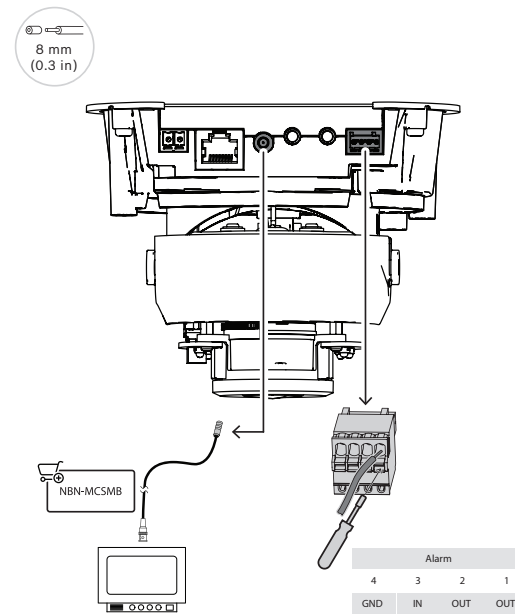
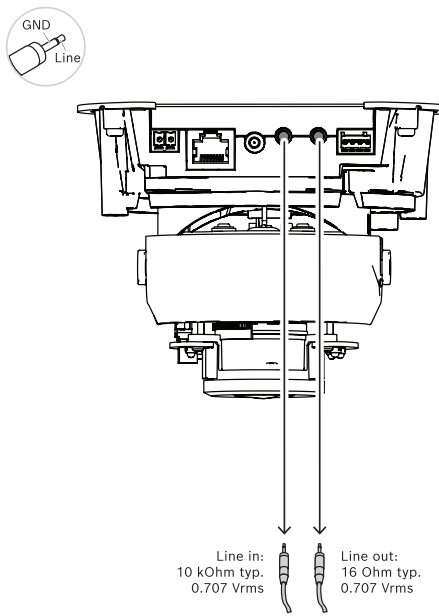
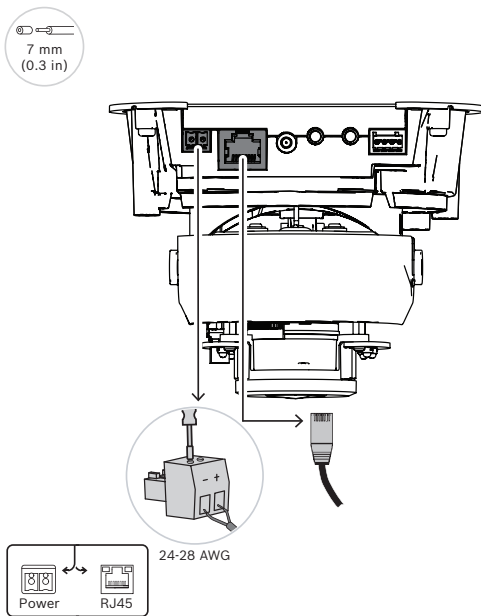
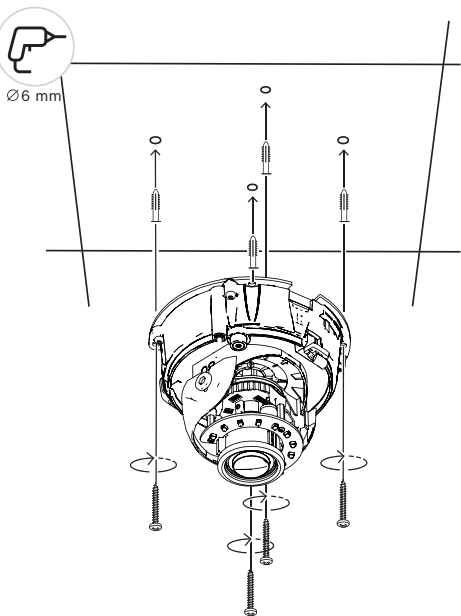
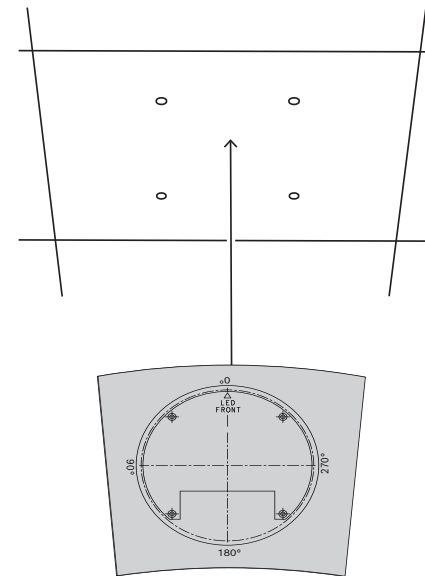
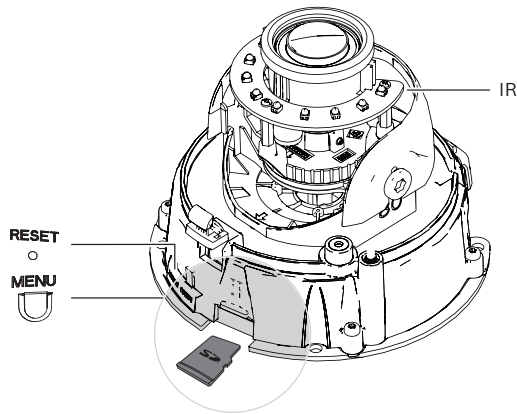
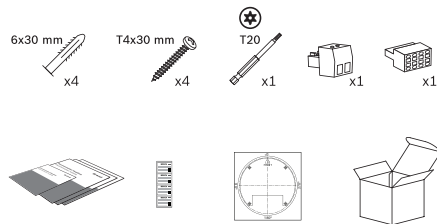
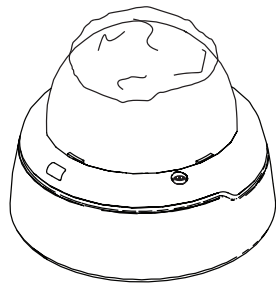
Dieses Handbuch gilt für diese Produkte.

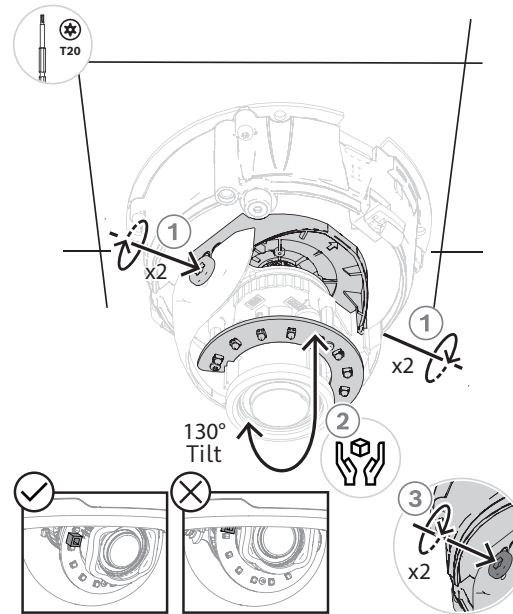
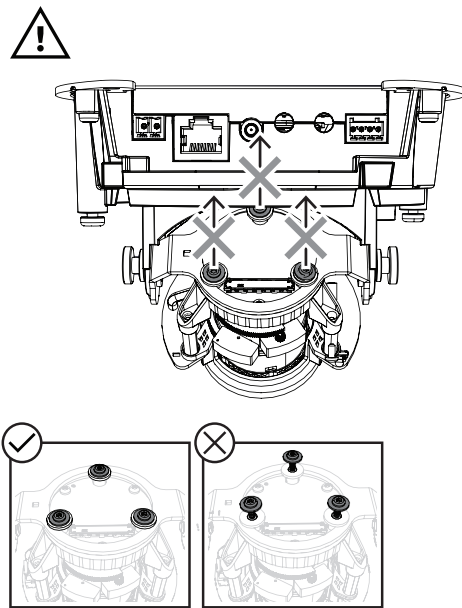
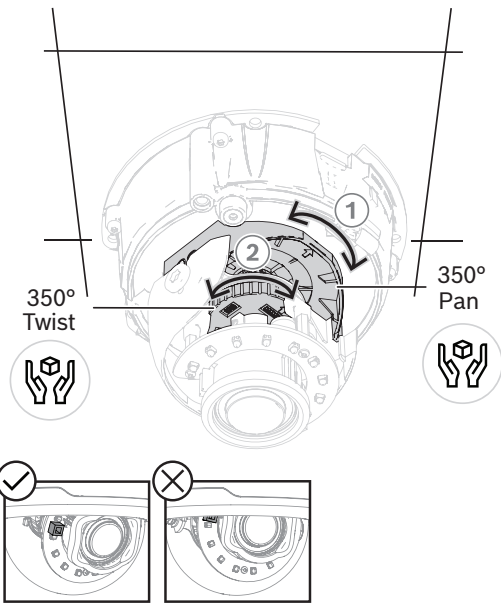
Ce manuel s'applique à ces produits.

Este manual es aplicable a estos productos.

本手册适用于这些产品。

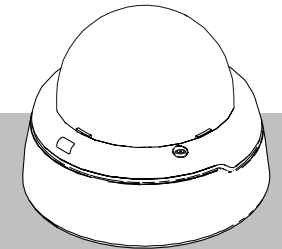
NDI-3512-AL, NDI-3513-AL, NDI-4502-A, NDI-4502-AL, NDI-5503-A, NDI-5503-AL, NDI-5502-A, NDI-5502-AL, NDI-4512-A, NDI-4512-AL



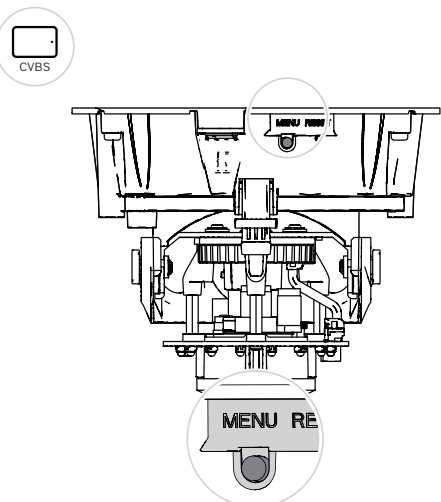


FLEXIDOME IP 3000i | 4000i | 5000i (IR) indoor | FLEXIDOME IP starlight 5000i (IR) indoor*

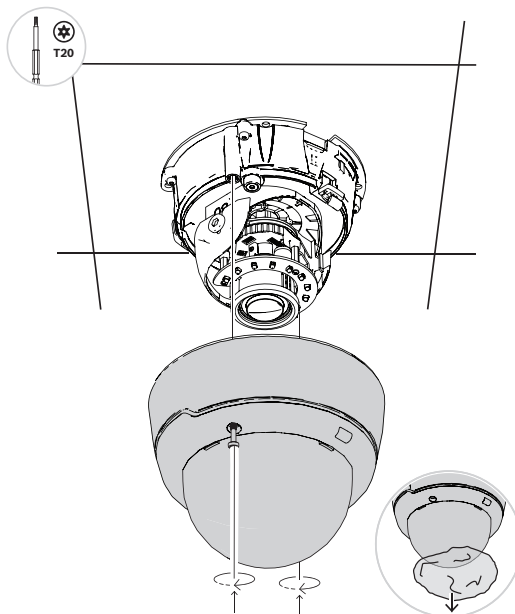
*List of applicable products inside document



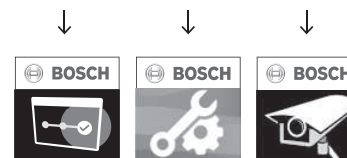
en Quick installation guide



- | | | |
|--------------------------|------------------------------|----------------------------|
| 1. <2s> On | 2. >2s> 180° | 3. <2s> Default |
| 4. <2s> Focus -autofocus | 5. <2s> Zoom (0-6) ↑ <2s> | 6. >2s> Zoom OK -autofocus |
| 7. <2s> Focus & Zoom OK | 8. <2s> Analog format ↓ <2s> | 9. >2s> Output OK |



Project Assistant App + Configuration Manager + Video Security Client
Windows | iOS | android



Bosch Security Systems B.V.
Torenallee 49
5617 BA Eindhoven
Netherlands
www.boschsecurity.com
© Bosch Security Systems B.V., 2023