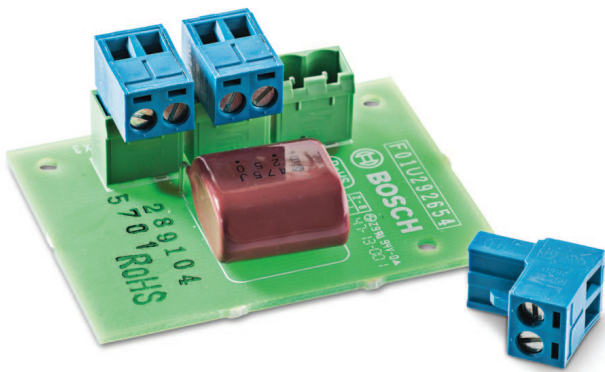


PM1-LISD Loudspeaker DC blocking board



The DC blocking board is used in combination with a Loudspeaker Line Isolation System. It connects in the loudspeaker line and provides a tap-off connection for a loudspeaker. Its coupling capacitor blocks DC and protects from overload by limiting the current. It uses detachable screw connectors, which allow for a quick and convenient connection of the loudspeaker loop and tap-off connections (maximum 20 W loudspeaker load). The DC blocking board can be mounted inside selected Bosch loudspeakers or in its own IP30-rated housing.

Regulatory information

Emergency standard certifications

Europe	EN 54-16
International	ISO 7240-16

Emergency standard compliance

Europe	EN 50849
Netherlands	NEN 2575
Germany	VDE 0833-4

Regulatory areas

Safety	EN 62368-1
--------	------------

- ▶ Provides DC-free tap-off for 70/100 V loudspeakers without an internal DC-blocking capacitor
- ▶ Can be used with different loudspeaker line isolation systems, such as PRA-LIM / PRA-LID, to create redundant loudspeaker loops
- ▶ Line isolator systems may reduce cost of voice alarm installations by largely eliminating expensive E30 cabling
- ▶ Separate connectors for insertion into an in/out loop and tap-off
- ▶ Standard size board fits in multiple Bosch loudspeakers for voice alarm

Regulatory areas

Immunity	EN 55035 EN 50130-4
Emissions	EN 55032 EN 61000-6-3
Environment	EN/IEC 63000

Conformity declarations

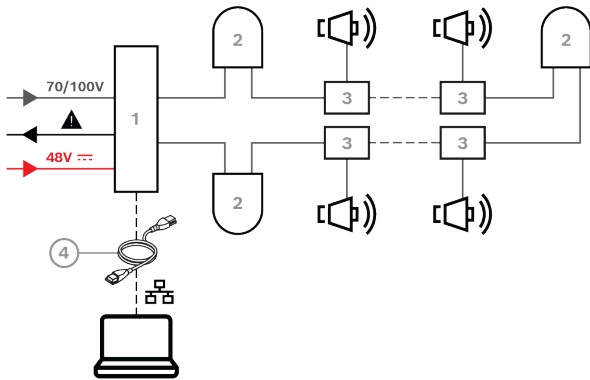
Europe	CE/CPR
--------	--------

Region Regulatory compliance/quality marks

Europe	CE	DECL EC PM1-LISD
--------	----	------------------

Installation/configuration notes

Installation example



- 1 Line isolator drive
- 2 Line isolator module
- 3 Loudspeaker DC blocking board
- 4 Line isolator adapter USB RS485

Parts included

Quantity	Component
1	DC Blocking Board
1	Set of Connectors

Technical specifications

Electrical

Loudspeaker loop connection	120 VAC audio, max 5 A
Maximum loop-through loudspeaker load	500 W
Maximum tap-off load	20 W on tap-off
High pass filter (tap-off, 100 V)	67 Hz at 20 W load; 34 Hz at 10 W load

Mechanical

Dimension (H x W x D) (mm)	60 mm x 45 mm x 30 mm
Dimension (H x W x D) (in)	2.70 in. x 1.80 in. x 0.60 in.
Mounting type	Internally mounted in the loudspeaker
Weight (g)	16 g

Represented by:

Europe, Middle East, Africa:
 Bosch Security Systems B.V.
 P.O. Box 80002
 5600 JB Eindhoven, The Netherlands
 Phone: + 31 40 2577 284
www.boschsecurity.com/xc/en/contact/
www.boschsecurity.com

Germany:
 Bosch Sicherheitssysteme GmbH
 Robert-Bosch-Ring 5
 85630 Grasbrunn
 Tel.: +49 (0)89 6290 0
 Fax: +49 (0)89 6290 1020
de.securitysystems@bosch.com
www.boschsecurity.com

North America:
 Bosch Security Systems, LLC
 130 Perinton Parkway
 Fairport, New York, 14450, USA
 Phone: +1 800 289 0096
 Fax: +1 585 223 9180
onlinehelp@us.bosch.com
www.boschsecurity.com

Asia-Pacific:
 Robert Bosch (SEA) Pte Ltd, Security Systems
 11 Bishan Street 21
 Singapore 573943
 Phone: +65 6571 2808
 Fax: +65 6571 2699
www.boschsecurity.com/xc/en/contact/
www.boschsecurity.com

Weight (oz)	0.60 oz
-------------	---------

Environmental

Operating temperature (°C)	-5 °C – 55 °C
Operating temperature (°F)	23 °F – 131 °F
Storage temperature (°C)	-20 °C – 70 °C
Storage temperature (°F)	-4 °F – 158 °F
Transportation temperature (°C)	-20 °C – 70 °C
Transportation temperature (°F)	-4 °F – 158 °F
Operating relative humidity, non-condensing (%)	15% – 90%
Air pressure (hPa)	600 hPa – 1100 hPa

Ordering information

PM1-LISD Loudspeaker DC blocking board

Loop-through loudspeaker connection board with DC blocking capacitor on tap-off.

Order number **PM1-LISD | F.01U.288.246**