

## NDA-U-PSU1H PSU, IR, 120VAC, for NDA-7100-PEN/PENF



- ▶ Aluminum enclosure rated to IP66 and UL Type 4X to prevent dust and water ingress
- ▶ IK10 impact rating ensures enclosure integrity

Bosch offers a series of stand-alone power supply units that provide 120 VAC power to AUTODOME 7100i IR cameras for applications without PoE or for redundant power applications with PoE. Each unit has a cover door that provides IP rating IP66/ UL Type 4X ingress protection and meets power and electrical safety requirements in extreme environmental conditions. The unique design and the IK10 rating protect the power supply units from vandalism and tampering events. These units can be mounted directly to a wall or other flat surface. Optional pole and corner mounting accessories are also available, allowing you to tailor your AUTODOME installation to your specific requirements. Multiple cable gland/conduit entry points protect cables and simplify installation.

### Regulatory information

For a full list of all related certifications/standards, refer to the Product Test Reports, available on the online catalog, on the Documents tab of the product page for your device. If the document is unavailable on the product page, contact your sales representative.

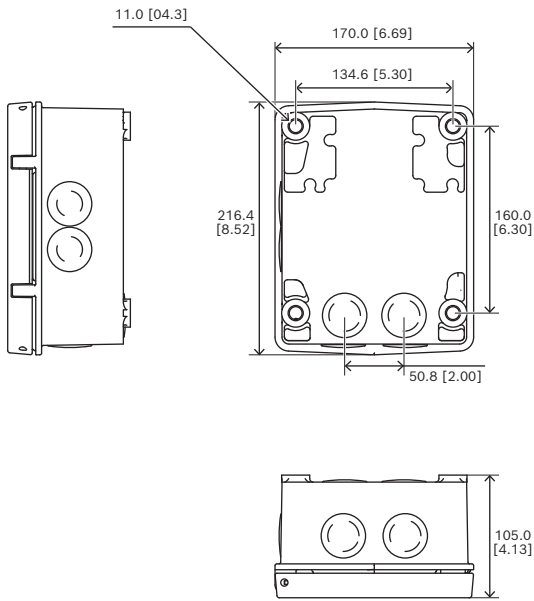
EN 61000-3-3: 2013  
FCC 47 Part 15 B (Class A)  
CISPR 32 (Class A)

RoHS Complies with EN IEC 63000:2018

Product Safety Complies with EN, IEC, UL Standards including:  
UL 62368-1 2nd Ed  
CAN/CSA C22.2 No. 62368-1-14  
IEC 62368-1:2014  
EN 62368-1:2014+A11:2017  
UL 62368-1 3rd Ed  
CSA C22.2 No. 62368-1:19  
IEC 62368-1:2018  
EN IEC 62368-1:2020+A11:2020

Electromagnetic Compatibility (EMC) Complies with FCC Part 15, ICES-003 Issue 7 (for Canada only), and CE regulations, including latest versions of:  
EN 50130-4: 2011  
EN 55032: 2015 + A11: 2020 (Class A)  
EN 61000-3-2: 2014

## Installation/configuration notes



## Parts included

Quantity	Component
1	NDA-U-PSU1H power supply box
1	Quick installation guide
1	Safety and security information manual

## Technical specifications

### Electrical

Input voltage (VAC)	120 VAC $\pm$ 10%, 50/60 Hz
Output voltage (VAC)	24 VAC @ 3.5A, 50/60 Hz (IEC 62638-1 Limited Power Source)

**Note:** 24 VAC @ 2 A is not used.

### Mechanical

Dimensions (H x W x D) (mm)	216.4 mm x 170 mm x 105 mm
Dimensions (H x W x D) (in)	8.52 in x 6.69 in x 4.13 in
Material	Cast Aluminum
Material finish	Powder coated, Sand finish

#### Represented by:

**Europe, Middle East, Africa:**  
Bosch Security Systems B.V.  
P.O. Box 80002  
5600 JB Eindhoven, The Netherlands  
[www.boschsecurity.com/xc/en/contact/](http://www.boschsecurity.com/xc/en/contact/)  
[www.boschsecurity.com](http://www.boschsecurity.com)

**Germany:**  
Bosch Sicherheitssysteme GmbH  
Robert-Bosch-Platz 1  
D-70839 Gerlingen  
[www.boschsecurity.com](http://www.boschsecurity.com)

**North America:**  
Bosch Security Systems, LLC  
130 Perinton Parkway  
Fairport, New York, 14450, USA  
[www.boschsecurity.com](http://www.boschsecurity.com)

**Asia-Pacific:**  
Robert Bosch (SEA) Pte Ltd, Security Systems  
11 Bishan Street 21  
Singapore 573943  
[www.boschsecurity.com/xc/en/contact/](http://www.boschsecurity.com/xc/en/contact/)  
[www.boschsecurity.com](http://www.boschsecurity.com)

## Environmental

Operating temperature (°C)	-60 °C – 60 °C
Operating temperature (°F)	-76 °F – 140 °F
Operating relative humidity, condensing (%)	0% – 100%
IP rating	IP66
Impact protection	IK10 (IEC 62262)
Degree of protection	UL type 4X

## Ordering information

### NDA-U-PSU1H PSU, IR, 120VAC, for NDA-7100-PEN/PENF

Power supply unit without transformer, 120 VAC, IK10  
Order number **NDA-U-PSU1H** |