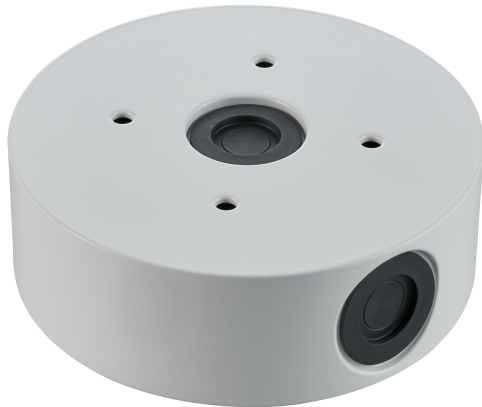


NDA-U-CBB Conduit back box, 148mm



The modular camera mounts & accessories are a family of mounts, mounting adapters, pendant interface plates and surveillance cabinets which can be used with a wide range of Bosch cameras. The accessories are easy to install and can be combined to simplify installation in multiple locations while retaining the same look and feel.

Functions

The conduit back box is designed for use with the FLEXIDOME panoramic 5100i IR. It is also compatible with the DINION 5100i IR. This accessory comes ready for installation to a wall or ceiling. To adapt it to be mounted to a pole or corner, the following accessories must be used with:

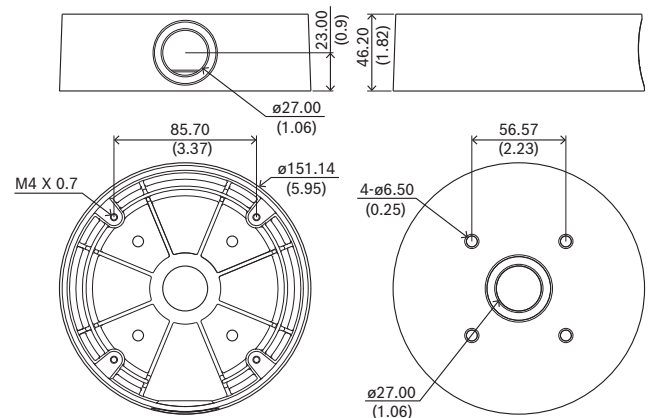
- NDA-U-PMAL Pole mount adapter large
- NDA-U-CMT Corner mount adapter

Regulatory information

| Environmental | |
|---------------|-------------------------|
| Salt mist | IEC60068-2-52 |
| Vibration | IEC60068-2-6, NEMA TS2 |
| Shock | IEC60068-2-27, NEMA TS2 |
| Impact | IK10 |

- ▶ Modular design for fast and easy installation
- ▶ Weather resistant finish to maintain cosmetic appearance
- ▶ Vandal resistant design for indoor and outdoor use
- ▶ Impact, shock and vibration resistant

Installation/configuration notes



Dimensions in mm (inch)

Parts included

| Quantity | Component |
|----------|--------------------------|
| 1 | Back box base |
| 2 | Rubber cap |
| 4 | M4 x 12 mm T20 screw |
| 1 | Quick installation guide |

Technical specifications

| Mechanical | |
|-------------------------|----------------------|
| Dimensions (Ø x H) (mm) | 151.14 mm x 46.20 mm |

| | |
|-------------------------|-----------------------|
| Dimensions (Ø x H) (in) | 5.95 in x 1.82 in |
| Conduit dimensions Ø | M25 max. |
| Weight (g) | 467 g |
| Weight (lb) | 1.03 lb |
| Material | Aluminum |
| Color (RAL) | RAL 9003 Signal white |

Ordering information

NDA-U-CBB Conduit back box, 148mm

Outdoor conduit back box, 148mm

Order number **NDA-U-CBB**



<https://www.boschsecurity.com>