

NDA-8002-IC In-ceiling mount kit



- ▶ Corrosion-resistant finish
- ▶ Easy installation

The in-ceiling mount kit with microphone support for use with FLEXIDOME 8000i and FLEXIDOME 8100i cameras.

Regulatory information

| Environmental | |
|---------------|----------------|
| Vibration | IEC 60068-2-6 |
| Shock | IEC 60068-2-27 |
| Impact | IK04 |

Installation/configuration notes

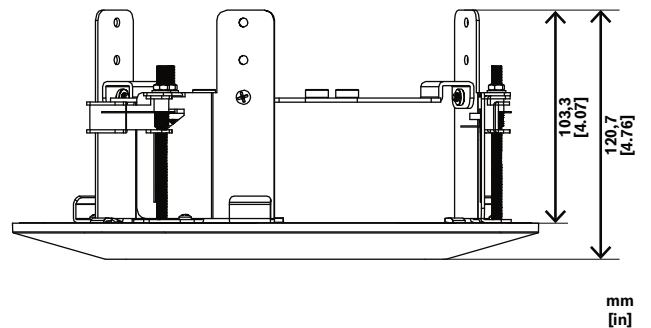
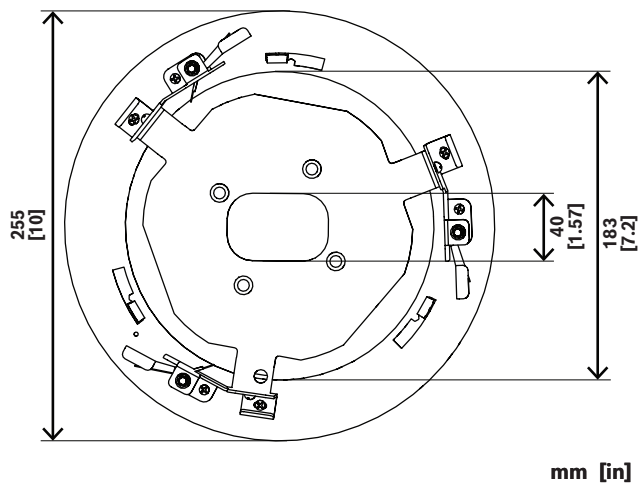


Fig. 1: NDA-8002-IC IR

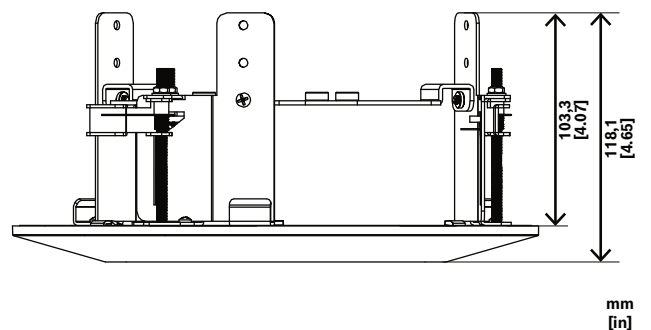


Fig. 2: NDA-8002-IC Non-IR
Dimensions in mm (inch)

Parts included

| Quantity | Component |
|----------|-----------|
| 1 | Mount kit |

| Quantity | Component |
|----------|---------------------------|
| 1 | IR decoration plate |
| 4 | M6 x 10 mm T25 screw |
| 1 | Mounting template sticker |
| 1 | Quick installation guide |

Technical specifications

Mechanical

| | |
|--------------------------------|--|
| Dimensions (Ø x H) (mm) IR | 255 mm x 120.7 mm |
| Dimensions (Ø x H) (in) IR | 10 in x 4.76 in |
| Dimensions (Ø x H) (mm) Non-IR | 255 mm x 118.1 mm |
| Dimensions (Ø x H) (in) Non-IR | 10 in x 4.65 in |
| Weight (kg) | 1.07 kg |
| Weight (lb) | 2.36 lb |
| Material | Steel; Polycarbonate |
| Color (RAL) | RAL 9003 Signal white (decoration plate) |
| Mounting type | Ceiling-mounted |

Ordering information

NDA-8002-IC In-ceiling mount kit

In-ceiling mount kit with microphone support for FLEXIDOME 8000i and FLEXIDOME 8100i cameras.
Order number **NDA-8002-IC**



<https://www.boschsecurity.com>