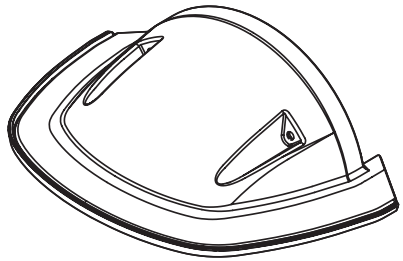
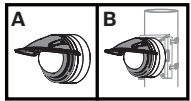


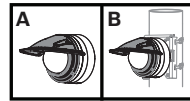
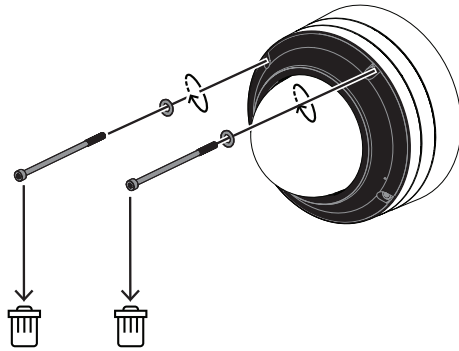
1 |



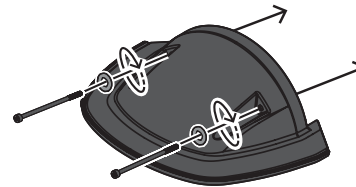
TR20 x2 \varnothing 5.3mm x2



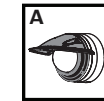
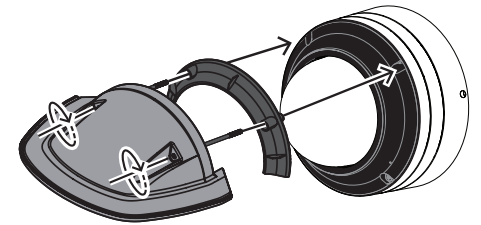
2 |



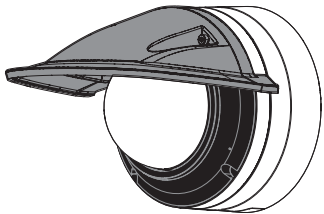
3 |



4 |



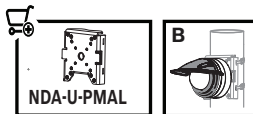
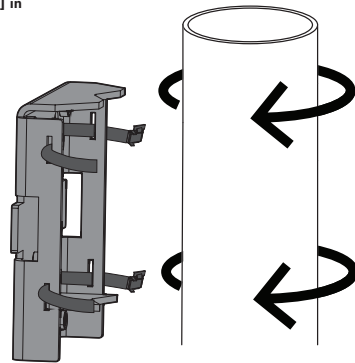
5 |



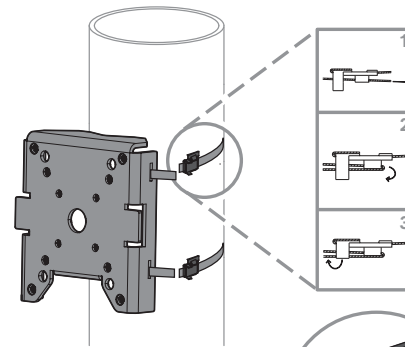
6 |



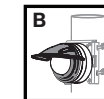
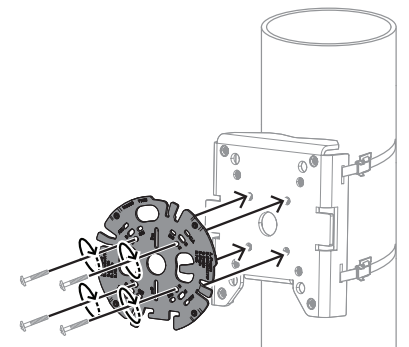
\varnothing 100 - 380 mm [3.9 - 14.9] in

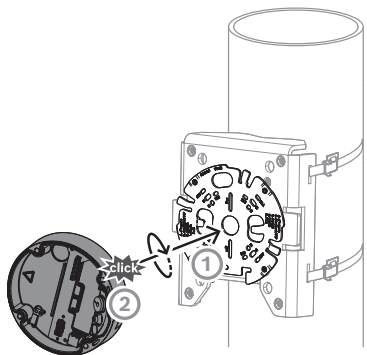


7 |

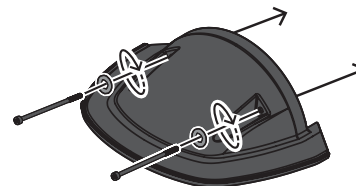
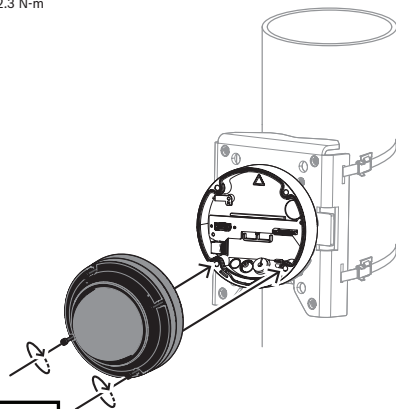


8 |

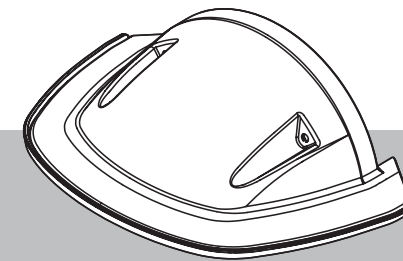




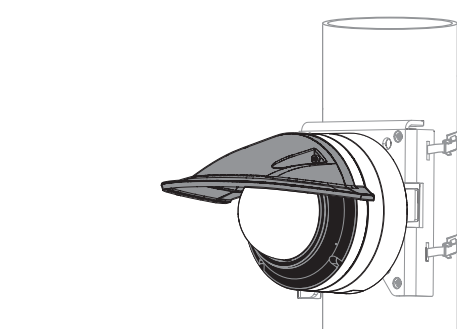
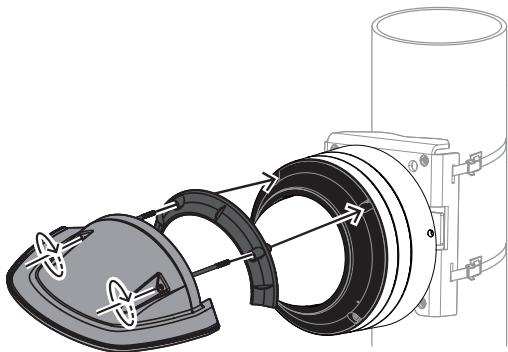
2.5-2.3 N-m



On-camera weather protector IR
NDA-8000-WPIR



en Quick installation guide



Bosch Security Systems B.V.
Torenallee 49
5617 BA Eindhoven
Netherlands
www.boschsecurity.com
© Bosch Security Systems B.V., 2025

Building solutions for a better life