

NDA-5080-PC Paintable cover, F360E, 4pcs



- ▶ Easy installation
- ▶ Weather resistant finish to maintain cosmetic appearance

Paintable cover accessories are used to customize a device's appearance and tailor it to its surroundings.

Functions

Customization

This paintable cover features a black finish allowing it to be easily repainted in the desired color to customize the device's appearance.

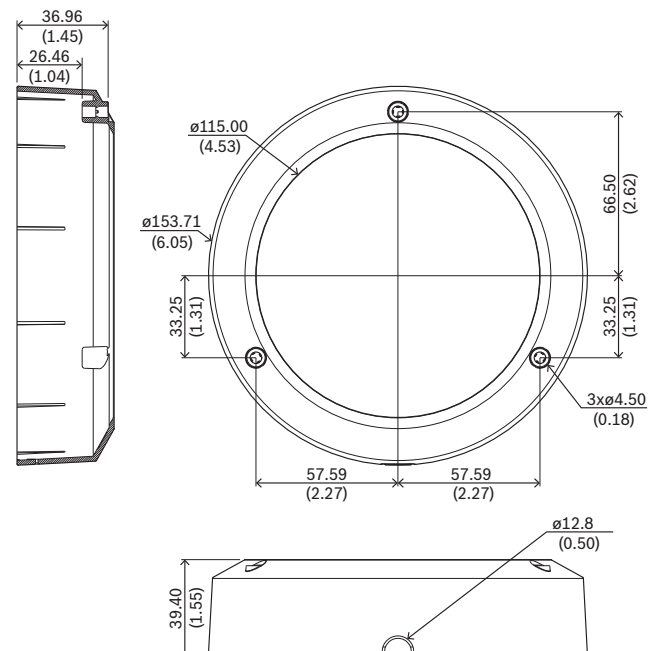
Regulatory information

Environmental

Vibration	IEC60068-2-6
-----------	--------------

Shock	IEC60068-2-27
-------	---------------

Installation/configuration notes



Dimensions in mm (inch)

Parts included

Quantity	Component
4	Paintable cover
1	QIG

Technical specifications

Mechanical

Dimensions (Ø x H) (mm)	153.71 mm x 39.40 mm
Dimensions (Ø x H) (in)	6.05 in x 1.55 in
Weight (g)	62 g
Weight (lb)	0.14 lb
Material	Plastic
Color (RAL)	RAL 9017 Traffic black

Ordering information

NDA-5080-PC Paintable cover, F360E, 4pcs
Paintable cover FLEXIDOME panoramic 5100i IR
Order number **NDA-5080-PC**



<https://www.boschsecurity.com>