

NDA-3080-PIP Pendant interface plate, 137mm



- ▶ Modular design for fast and easy installation
- ▶ One accessory line for multiple camera families from Bosch
- ▶ Weather resistant finish to maintain cosmetic appearance

This camera-specific accessory is designed for use with Bosch's line of universal accessories. The modular camera mounts & accessories are a family of mounts, mounting adapters, pendant interface plates and surveillance cabinets which can be used with a wide range of Bosch cameras. The accessories are easy to install and can be combined to simplify installation in multiple locations while retaining the same look and feel.

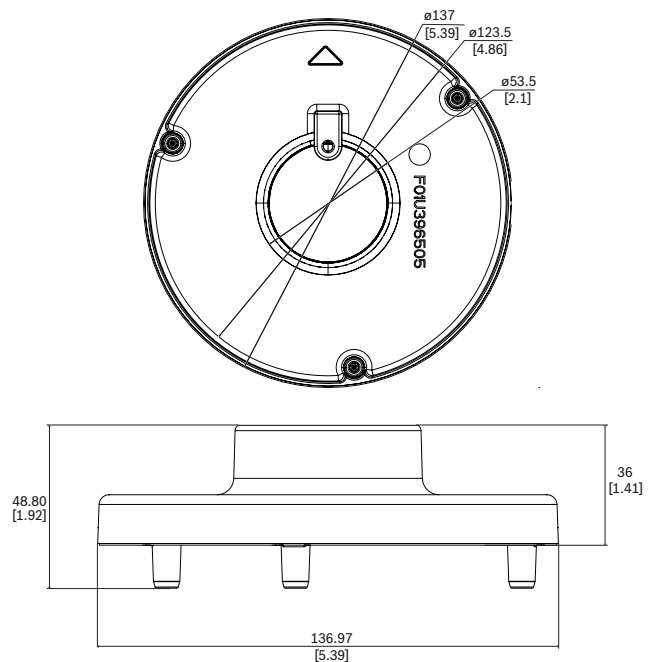
Functions

This accessory provides a safe, robust and watertight solution to mount your camera to:

- NDA-U-WMT Pendant wall mount
- NDA-U-PMT Pendant pipe mount

Regulatory information

Installation/configuration notes



Dimensions in mm (in.)

Parts included

Quantity	Component
1	Pendant interface plate
4	M4 T20 screw

Quantity	Component
1	Quick installation guide

Technical specifications

Mechanical

Dimension (Ø x H) (mm)	137 mm x 36 mm
Dimension (Ø x H) (in)	5.39 in x 1.42 in
Weight (g)	168 g
Weight (lb)	0.37 lb
Material	Aluminum
Color in RAL	RAL 9003 Signal white

Ordering information

NDA-3080-PIP Pendant interface plate, 137mm

Pendant interface plate for NDE-3000 dome camera

Order number **NDA-3080-PIP | F.01U.396.505**

F.01U.379.474

Represented by:

Europe, Middle East, Africa:
 Bosch Security Systems B.V.
 P.O. Box 80002
 5600 JB Eindhoven, The Netherlands
 Phone: + 31 40 2577 284
www.boschsecurity.com/xc/en/contact/
www.boschsecurity.com

Germany:
 Bosch Sicherheitssysteme GmbH
 Robert-Bosch-Ring 5
 85630 Grasbrunn
 Tel.: +49 (0)89 6290 0
 Fax: +49 (0)89 6290 1020
de.securitysystems@bosch.com
www.boschsecurity.com

North America:
 Bosch Security Systems, LLC
 130 Perinton Parkway
 Fairport, New York, 14450, USA
 Phone: +1 800 289 0096
 Fax: +1 585 223 9180
onlinehelp@us.bosch.com
www.boschsecurity.com

Asia-Pacific:
 Robert Bosch (SEA) Pte Ltd, Security Systems
 11 Bishan Street 21
 Singapore 573943
 Phone: +65 6571 2808
 Fax: +65 6571 2699
www.boschsecurity.com/xc/en/contact/
www.boschsecurity.com