

NBA-7070-PA2 Surveillance cabinet 230VAC



- ▶ All-weather, vandal-proof design for reliable long-term performance
- ▶ Ease of installation with mounting plate
- ▶ Cable protection for electrical safety and critical infrastructure installations
- ▶ Complete power supply and connectivity solution suitable for outdoor use
- ▶ Built-in surge protection to enhance system reliability

The surveillance cabinet is designed to meet the power and electrical safety requirements for cameras used in outdoor security applications. The camera attaches to the cabinet with a mounting plate, which simplifies installation and protects cable usage. The surveillance cabinet offers a unique design against vandalism and tampering events, and weatherproof resistance in extreme environmental conditions.

The surveillance cabinet provides a power supply for application without PoE. This cabinet can be easily mounted on the wall.

Functions

Power supply units

Bosch offers a series of stand-alone power supply units that provide VAC power to DINION and FLEXIDOME cameras for applications without PoE. Each unit has a cover door that provides IP66 ingress protection and meets power and electrical safety requirements in extreme environmental conditions. The unique design and the IK10 rating protect the power supply units from vandalism and tampering events.

These units can be mounted directly to a wall or other flat surface. Optional pole mounting accessories are also available, allowing you to tailor your DINION or FLEXIDOME installation to your specific requirements. Multiple cable gland/conduit entry points protect cables and simplify installation.

Vandal resistant design

Ideal for outdoor use, the IK10-rated design is suitable for installations where a vandal resistance is important. The surveillance cabinet protects the power source and connections of the mounted camera against any act of vandalism.

Easy installation

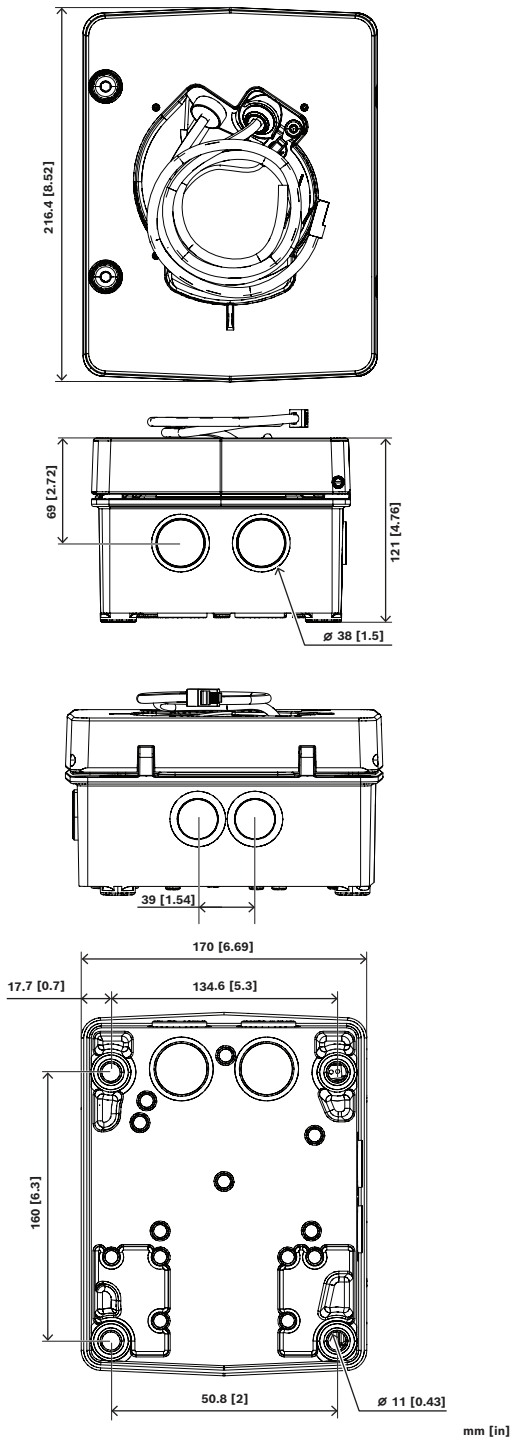
Bosch surveillance cabinets are designed to meet the power and electrical safety requirements for cameras used in outdoor security applications. The surveillance cabinets provide a power supply for situations without PoE.

The surveillance cabinet offers proper surge protection to avoid damaging or compromising surveillance because of large inductive loads of surge power.

Regulatory information

Environmental	
Salt mist	ISO14933
Impact	IK10
Vibration	NEMA TS2
Shock	NEMA TS2

Installation/configuration notes



Parts included

Quantity	Component
1	Surveillance cabinet 230VAC
1	5 mm hex key

Quantity	Component
4	T20 screws
1	Grommet (IP66)
2	Cable end protective labels
1	Quick installation guide
1	Safety and security information manual

Technical specifications

Electrical

Input voltage (VAC)	230 VAC
Input current (A)	0.42 A
Output voltage (VAC)	24 VAC
Output current (A)	4 A
Output rating	24 V @ 96 VA
Surge protection on power output	Peak current 21.4 A, peak power 1500 W (10/1000 μ s)
Power frequency	50 Hz; 60 Hz

Mechanical

Color (RAL)	RAL 9003 Signal white
Material	Steel; Aluminum; Polypropylene
Dimensions (H x W x D) (in)	8.52 in x 6.69 in x 4.76 in
Dimensions (H x W x D) (mm)	216.40 mm x 170 mm x 121 mm
Weight (kg)	4.11 kg
Weight (lb)	9.0610 lb

Environmental

Operating relative humidity, condensing (%)	0% - 100%
Operating temperature ($^{\circ}$ C)	-60 $^{\circ}$ C - 55 $^{\circ}$ C
Operating temperature ($^{\circ}$ F)	-76 $^{\circ}$ F - 131 $^{\circ}$ F
IP rating	IP66

Ordering information

NBA-7070-PA2 Surveillance cabinet 230VAC

Surveillance cabinet, 230 VAC, IK10
Order number **NBA-7070-PA2**

Accessories

VG4-SFPSCKT Ethernet to SFP interface kit

Ethernet media converter video transmitter/data receiver fiber optic kit for AUTODOME 7000i cameras and for the Surveillance cabinets (NDA-U-PA0, NDA-U-PA1 and NDA-U-PA2).

Order number **VG4-SFPSCKT**

SFP-2 Fiber module, multimode, 1310nm, 2LC

SFP Fiber Optic Module, 2 km (1.2 miles), 2 LC connectors.

Multi-mode
1310 nm

Order number **SFP-2**

SFP-3 Fiber module, single-mode, 1310nm, 2LC

SFP Fiber Optic Module, 20 km (12.4 miles), 2 LC connectors.

Single-mode
1310 nm

Order number **SFP-3**

SFP-25 Fiber module, 1310/1550nm, 1SC

SFP Fiber Optic Module, 2 km (1.2 miles), 1 SC connector

Multi-mode
1310/1550 nm

Order number **SFP-25**

SFP-26 Fiber module, 1550/1310nm, 1SC

SFP Fiber Optic Module, 2 km (1.2 miles), 1 SC connector

Multi-mode
1550/1310 nm

Order number **SFP-26**

Represented by:

Europe, Middle East, Africa:
Bosch Security Systems B.V.
P.O. Box 80002
5600 JB Eindhoven, The Netherlands
Phone: + 31 40 2577 284
www.boschsecurity.com/xc/en/contact/
www.boschsecurity.com

Germany:
Bosch Sicherheitssysteme GmbH
Robert-Bosch-Ring 5
85630 Grasbrunn
Tel.: +49 (0)89 6290 0
Fax: +49 (0)89 6290 1020
de.securitysystems@bosch.com
www.boschsecurity.com

North America:
Bosch Security Systems, LLC
130 Perinton Parkway
Fairport, New York, 14450, USA
Phone: +1 800 289 0096
Fax: +1 585 223 9180
onlinehelp@us.bosch.com
www.boschsecurity.com

Asia-Pacific:
Robert Bosch (SEA) Pte Ltd, Security Systems
11 Bishan Street 21
Singapore 573943
Phone: +65 6571 2808
Fax: +65 6571 2699
www.boschsecurity.com/xc/en/contact/
www.boschsecurity.com