

## Modular camera mounts & accessories



- ▶ Modular design for fast and easy installation
- ▶ One accessory line for multiple camera families from Bosch
- ▶ Weather resistant finish to maintain cosmetic appearance

The modular camera mounts & accessories are a family of mounts, mounting adapters, pendant interface plates and surveillance cabinets which can be used with a wide range of Bosch cameras. The accessories are easy to install and can be combined to simplify installation in multiple locations whilst retaining the same look and feel.

### System overview

#### Modular design: use with different cameras

The modular design is flexible and can be used to install Bosch cameras both indoors and outdoors. By choosing the relevant camera specific interface plate for the camera to be installed, common mounts can be used, making multi-camera installations simpler and ensuring common form and color (RAL9003).

These accessories are compatible with:

- FLEXIDOME IP 3000i IR
- FLEXIDOME IP 4000i
- FLEXIDOME IP 5000i
- FLEXIDOME IP outdoor 4000 HD
- FLEXIDOME IP outdoor 5000 HD
- FLEXIDOME IP panoramic 5000 MP
- FLEXIDOME IP panoramic 7000 MP
- AUTODOME IP 4000i
- AUTODOME IP 5000i
- AUTODOME IP 5000i IR
- AUTODOME IP starlight 5000i
- AUTODOME IP starlight 5000i IR

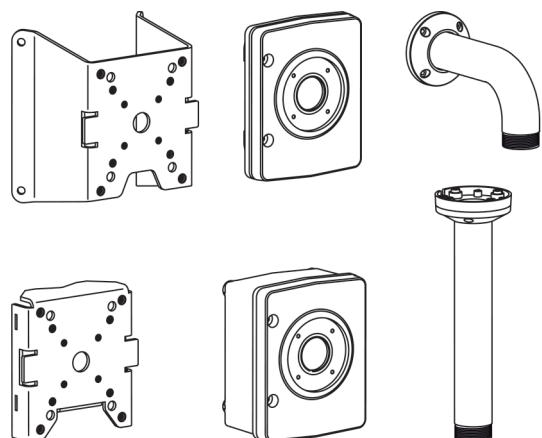
#### Quality and robustness for all environments

The mechanical design of the mounts and accessories is driven by combining ease of use with reliability and robustness. All combinations are tested to Bosch

standards to deliver the highest environmental performance including mechanical load, shock, vibration and impact testing. While the mechanical design makes these mounts and accessories vandal resistant, high quality coating provides protection against corrosion and maintains the highest level of cosmetic integrity over time.

#### Usability: easy and flexible installation

Usability is fundamental for these accessories. This starts with an easy selection process, using the Bosch Product Selector to determine the correct combination of accessories for the camera to be used.

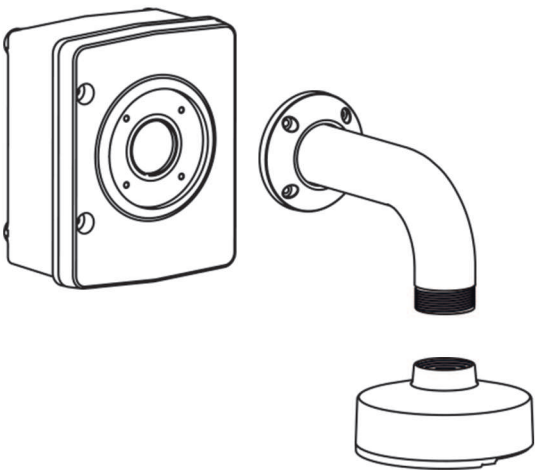


Depending on the installation scenario a wall mount, ceiling mount or roof mount can be used. Further options include pole mount and corner mount. The surveillance cabinet, wall mount plate and surface mount boxes offer extra flexibility to installers. A camera specific interface allows a range of cameras to be used with these mounting options.

### Pendant interface plate

Each compatible camera has its own pendant interface plate. These adapters are designed especially for use with the modular accessories. It provides a safe and robust solution to mount the chosen camera to the NDA-U-WMT wall mount, the NDA-U-PMT pipe mount or the NDA-U-RMT parapet mount.

### Pendant wall mount

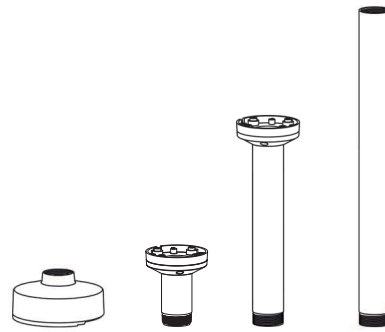


The pendant wall mount supports multiple installation scenarios including direct installation to a wall, pole or corner through the use of a suitable adapter. The integrated swivel function ensures the installed camera is always level. The mount allows easy cable management or it can be combined with additional surface mount boxes to cater for conduit connections. You can extend your installation with a surveillance cabinet to provide a power supply plus additional room to safely install extra hardware. Use a camera-specific interface plate to attach your camera to the mount.

### Pendant parapet mount

The parapet mount can be used to install cameras on parapets, edges of a balcony wall or the side of bridges. These mounts are fitted to the inside or outside of a suitable wall and can be swiveled for ease of positioning and to make servicing of cameras simpler. An optional flat roof mount adapter (LTC9230/01) can be used for mounting on a flat surface.

### Pendant pipe mounts



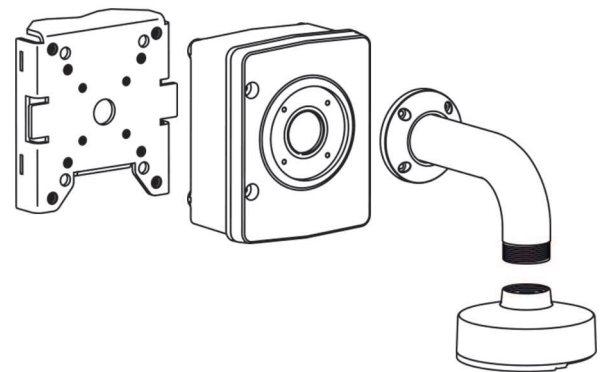
The pendant pipe mount and short pendant pipe mount allow the installation of a camera suspended from a ceiling. For high ceilings, the length of the pendant pipe can be extended by using an extension pipe.

The mounts support easy cable management or can be combined with an additional surface mount box for conduit connections.

You can extend your installation with a surveillance cabinet to provide a power supply plus additional room to safely install extra hardware.

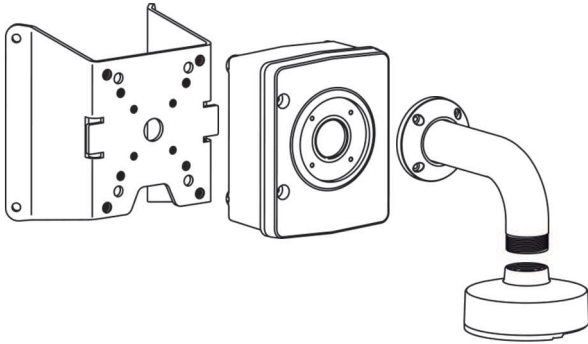
Use a camera-specific interface plate to attach your camera to the mount.

### Pole mount adapter



This adapter allows the camera to be installed to a pole or mast. Once the adapter is attached to the pole, a wall mount and surveillance cabinet can be added to provide a full weatherproof installation option.

## Corner mount adapter



The corner mount adapter allows easy installation to the corner of a building. With the adapter fitted, a wall mount and surveillance cabinet can be added to provide a full weatherproof installation option.

### Surveillance cabinets

Bosch surveillance cabinets are designed to meet the power and electrical safety requirements for cameras used in outdoor security applications. The surveillance cabinets provide a power supply for situations without PoE. They are available without a transformer (for direct 24 VAC power input) and with either a 120 VAC or a 230 VAC transformer for mains supply. Each surveillance cabinet offers 100 Watt output with surge protection. The surveillance cabinet allows easy, direct interface for the wall mount. The full combination with wall mount is rated as IP66 and IK10. For more details about compatibility, refer to the Bosch Product Selector.

### Fiber Optic Kits

The VG4-SFPSCKT fiber optic kit is a unique media converter module for use with the surveillance cabinet. This media converter is designed to accept a wide range of 10/100 Mbps Small Form-factor Pluggable (SFP) modules for use with Multimode or Singlemode fiber with LC or SC connectors. The media converter module and SFP module can be installed directly into the surveillance cabinet to provide an integrated fiber optic solution. The fiber optic kits extend the range that the camera can receive commands and transmit video and data.

## Technical specifications

### Mechanical

Standard Color	White (RAL 9003)
----------------	------------------

### Mechanical

Mounting	To a wall, a pole, a corner, a parapet (roof)
----------	---

## Ordering information

### NDA-3050-PIP Pendant interface plate panoramic 5000

Pendant interface plate for FLEXIDOME IP panoramic 5000 MP. For outdoor and indoor  
Order number **NDA-3050-PIP | F.01U.334.192**

### NDA-U-PMT Pendant pipe mount, 12" (31cm)

Universal pipe mount for dome cameras, 31 cm, white  
Order number **NDA-U-PMT | F.01U.324.940**

### NDA-U-PMTE Pendant pipe extension, 20" (50cm)

Extension for universal pipe mount, 50 cm, white  
Order number **NDA-U-PMTE | F.01U.324.941**

### NDA-U-WMT Pendant wall mount

Universal wall mount for dome cameras, white  
Order number **NDA-U-WMT | F.01U.324.939**

### NDA-4020-PIP Pendant interface plate AUTODOME 4000

Pendant interface plate for AUTODOME IP 4000i.  
Order number **NDA-4020-PIP | F.01U.324.952**

### NDA-5030-PIP Pendant interface plate NDE-4/5000

Pendant interface plate for outdoor FLEXIDOME 4000i / 5000i.  
Order number **NDA-5030-PIP | F.01U.324.951**

### NDA-5031-PIP Pendant interface plate NDI-4/5000

Pendant interface plate for indoor FLEXIDOME IP 4000i / 5000i.  
Order number **NDA-5031-PIP | F.01U.329.708**

### NDA-5080-PIP Pendant interface plate, 148mm

Pendant interface plate for FLEXIDOME panoramic 5100i IR  
Order number **NDA-5080-PIP | F.01U.389.607**

### NDA-5080-TM Tilt mount 20-deg, 148mm

Tilt mount (20°) for FLEXIDOME IP 4000i / 5000i (IR) and FLEXIDOME panoramic 5100i IR camera families  
Order number **NDA-5080-TM | F.01U.389.606**

### NDA-7010-PIP Pendant interface plate for NIN-70112

Pendant interface plate for FLEXIDOME IP panoramic 7000.  
Order number **NDA-7010-PIP | F.01U.325.039**

### NDA-8000-PIP Pendant interface plate, indoor

Pendant interface plate for FLEXIDOME IP 8000i and FLEXIDOME IP panoramic 6000/7000 outdoor.  
Order number **NDA-8000-PIP | F.01U.324.938**

### NDA-8000-PIPW Pendant interface plate, outdoor

Pendant interface plate including weather protector for FLEXIDOME IP 8000i and FLEXIDOME IP panoramic 6000/7000 outdoor.  
Order number **NDA-8000-PIPW | F.01U.324.967**

### NDA-U-CMT Corner mount adapter

Universal corner mount, white  
Order number **NDA-U-CMT | F.01U.324.946**

### NDA-U-PA0 Surveillance cabinet 24VAC

Surveillance cabinet, 24 VAC input, 24 VAC output, IP66  
Order number **NDA-U-PA0 | F.01U.324.947**

**NDA-U-PA1 Surveillance cabinet 120VAC**

Surveillance cabinet, 100 - 120 VAC 50/60 Hz input, 24 VAC output, IP66

Order number **NDA-U-PA1 | F.01U.324.948**

**NDA-U-PA2 Surveillance cabinet 230VAC**

Surveillance cabinet, 230 VAC input, 24 VAC output, IP66

Order number **NDA-U-PA2 | F.01U.324.949**

**NDA-U-PMAL Pole mount adapter large**

Universal pole mount adapter, white; large

Order number **NDA-U-PMAL | F.01U.324.944**

**NDA-U-PMAS Pole mount adapter small**

Pole mount adapter small

Universal pole mount adapter, white; small.

Order number **NDA-U-PMAS | F.01U.324.943**

**NDA-U-PMT Pendant pipe mount, 12" (31cm)**

Universal pipe mount for dome cameras, 31 cm, white

Order number **NDA-U-PMT | F.01U.324.940**

**NDA-U-PMTE Pendant pipe extension, 20" (50cm)**

Extension for universal pipe mount, 50 cm, white

Order number **NDA-U-PMTE | F.01U.324.941**

**NDA-U-PMTG Pendant pipe mount, gang box**

Universal pipe mount, compatible with gang box installation for fixed dome cameras only, white

Order number **NDA-U-PMTG | F.01U.358.359**

**NDA-U-PMTE Pendant pipe extension, 20" (50cm)**

Extension for universal pipe mount, 50 cm, white

Order number **NDA-U-PMTE | F.01U.324.941**

**NDA-U-PSMB Pendant wall/ceiling mount SMB**

Surface mount box (SMB) for wall mount or pipe mount.

Order number **NDA-U-PSMB | F.01U.324.942**

**NDA-5030-PIP Pendant interface plate NDE-4/5000**

Pendant interface plate for outdoor FLEXIDOME 4000i / 5000i.

Order number **NDA-5030-PIP | F.01U.324.951**

**NDA-5031-PIP Pendant interface plate NDI-4/5000**

Pendant interface plate for indoor FLEXIDOME IP 4000i / 5000i.

Order number **NDA-5031-PIP | F.01U.329.708**

**NDA-7010-PIP Pendant interface plate for NIN-70112**

Pendant interface plate for FLEXIDOME IP panoramic 7000.

Order number **NDA-7010-PIP | F.01U.325.039**

**NDA-8000-PIP Pendant interface plate, indoor**

Pendant interface plate for FLEXIDOME IP 8000i and FLEXIDOME IP panoramic 6000/7000 outdoor.

Order number **NDA-8000-PIP | F.01U.324.938**

**NDA-8000-PIPW Pendant interface plate, outdoor**

Pendant interface plate including weather protector for FLEXIDOME IP 8000i and FLEXIDOME IP panoramic 6000/7000 outdoor.

Order number **NDA-8000-PIPW | F.01U.324.967**

**NDA-U-PA0 Surveillance cabinet 24VAC**

Surveillance cabinet, 24 VAC input, 24 VAC output, IP66

Order number **NDA-U-PA0 | F.01U.324.947**

**NDA-U-PA1 Surveillance cabinet 120VAC**

Surveillance cabinet, 100 - 120 VAC 50/60 Hz input, 24 VAC output, IP66

Order number **NDA-U-PA1 | F.01U.324.948**

**NDA-U-PA2 Surveillance cabinet 230VAC**

Surveillance cabinet, 230 VAC input, 24 VAC output, IP66

Order number **NDA-U-PA2 | F.01U.324.949**

**NDA-U-WMP Wall mount plate**

Back plate for universal wall mount, corner mount and pole mount, white, IP66

Order number **NDA-U-WMP | F.01U.324.950**

**NDA-U-PMTS Pendant pipe mount, 4" (11 cm)**

Universal pendant pipe mount for dome cameras, 11 cm (4"), white

Order number **NDA-U-PMTS | F.01U.385.046**

**NDA-U-PSMB Pendant wall/ceiling mount SMB**

Surface mount box (SMB) for wall mount or pipe mount.

Order number **NDA-U-PSMB | F.01U.324.942**

**NDA-U-RMT Pendant parapet mount**

Universal roof mount for dome cameras, white

Order number **NDA-U-RMT | F.01U.324.945**

**LTC 9230/01 Parapet roof mount adapter**

Flat Roof Mount Adapter for mounting a unit in an upright position on a flat surface.

Order number **LTC 9230/01 | F.01U.503.630**

**VG4-A-PSU0 Power supply, 24VAC**

Power supply, 24 VAC input, for a PTZ camera in the AUTODOME Series. White, aluminum enclosure with cover, rated IP66 and IK 08. 100 W output.

Order number **VG4-A-PSU0 | F.01U.261.376**

**VG4-A-PSU1 PSU, 120VAC, for AUTODOME, MIC7000**

Power supply for AUTODOME 7000, MIC IP cameras without illuminators.

120VAC in, 24VAC out

Order number **VG4-A-PSU1 | F.01U.261.377**

**F.01U.009.667 F.01U.081.593**

**VG4-A-PSU2 Power supply, 230VAC, AUTODOME, MIC7000**

Power supply for AUTODOME 7000, MIC IP cameras without illuminators.

230VAC in, 24VAC out

Order number **VG4-A-PSU2 | F.01U.009.668**

**F.01U.096.639 F.01U.097.433 F.01U.081.604**

**F.01U.261.378**

**NDA-5030-PIP Pendant interface plate NDE-4/5000**

Pendant interface plate for outdoor FLEXIDOME 4000i / 5000i.

Order number **NDA-5030-PIP | F.01U.324.951**

**NDA-3050-PIP Pendant interface plate panoramic 5000**

Pendant interface plate for FLEXIDOME IP panoramic 5000 MP. For outdoor and indoor

Order number **NDA-3050-PIP | F.01U.334.192**

**NDA-U-WMP Wall mount plate**

Back plate for universal wall mount, corner mount and pole mount, white, IP66

Order number **NDA-U-WMP | F.01U.324.950**

**NDA-U-WMT Pendant wall mount**

Universal wall mount for dome cameras, white

Order number **NDA-U-WMT | F.01U.324.939**

**NDA-U-CMT Corner mount adapter**

Universal corner mount, white

Order number **NDA-U-CMT | F.01U.324.946**

**NDA-U-PA0 Surveillance cabinet 24VAC**

Surveillance cabinet, 24 VAC input, 24 VAC output, IP66  
Order number **NDA-U-PA0 | F.01U.324.947**

**NDA-U-PA1 Surveillance cabinet 120VAC**

Surveillance cabinet, 100 - 120 VAC 50/60 Hz input,  
24 VAC output, IP66  
Order number **NDA-U-PA1 | F.01U.324.948**

**NDA-U-PA2 Surveillance cabinet 230VAC**

Surveillance cabinet, 230 VAC input, 24 VAC output, IP66  
Order number **NDA-U-PA2 | F.01U.324.949**

**NDA-U-PMAL Pole mount adapter large**

Universal pole mount adapter, white; large  
Order number **NDA-U-PMAL | F.01U.324.944**

**NDA-U-PMAS Pole mount adapter small**

Pole mount adapter small  
Universal pole mount adapter, white; small.  
Order number **NDA-U-PMAS | F.01U.324.943**

**NDA-U-WMP Wall mount plate**

Back plate for universal wall mount, corner mount and  
pole mount, white, IP66  
Order number **NDA-U-WMP | F.01U.324.950**

**NDA-U-PMTE Pendant pipe extension, 20" (50cm)**

Extension for universal pipe mount, 50 cm, white  
Order number **NDA-U-PMTE | F.01U.324.941**

**NDA-U-PSMB Pendant wall/ceiling mount SMB**

Surface mount box (SMB) for wall mount or pipe mount.  
Order number **NDA-U-PSMB | F.01U.324.942**

**NDA-4020-PIP Pendant interface plate AUTODOME 4000**

Pendant interface plate for AUTODOME IP 4000i.  
Order number **NDA-4020-PIP | F.01U.324.952**

**NDA-7010-PIP Pendant interface plate for NIN-70112**

Pendant interface plate for FLEXIDOME IP panoramic  
7000.  
Order number **NDA-7010-PIP | F.01U.325.039**

**NDA-5030-PIP Pendant interface plate NDE-4/5000**

Pendant interface plate for outdoor FLEXIDOME 4000i /  
5000i.  
Order number **NDA-5030-PIP | F.01U.324.951**

**NDA-U-WMTG Pendant wall mount, gang box**

Universal wall mount, compatible with gang box  
installation for fixed dome cameras only, white  
Order number **NDA-U-WMTG | F.01U.358.358**

**NDA-U-PMTE Pendant pipe extension, 20" (50cm)**

Extension for universal pipe mount, 50 cm, white  
Order number **NDA-U-PMTE | F.01U.324.941**

**NDA-U-PSMB Pendant wall/ceiling mount SMB**

Surface mount box (SMB) for wall mount or pipe mount.  
Order number **NDA-U-PSMB | F.01U.324.942**

**NDA-5030-PIP Pendant interface plate NDE-4/5000**

Pendant interface plate for outdoor FLEXIDOME 4000i /  
5000i.  
Order number **NDA-5030-PIP | F.01U.324.951**

**NDA-7010-PIP Pendant interface plate for NIN-70112**

Pendant interface plate for FLEXIDOME IP panoramic  
7000.  
Order number **NDA-7010-PIP | F.01U.325.039**

**NDA-U-CMT Corner mount adapter**

Universal corner mount, white  
Order number **NDA-U-CMT | F.01U.324.946**

**NDA-U-PA0 Surveillance cabinet 24VAC**

Surveillance cabinet, 24 VAC input, 24 VAC output, IP66  
Order number **NDA-U-PA0 | F.01U.324.947**

**NDA-U-PA1 Surveillance cabinet 120VAC**

Surveillance cabinet, 100 - 120 VAC 50/60 Hz input,  
24 VAC output, IP66  
Order number **NDA-U-PA1 | F.01U.324.948**

**NDA-U-PA2 Surveillance cabinet 230VAC**

Surveillance cabinet, 230 VAC input, 24 VAC output, IP66  
Order number **NDA-U-PA2 | F.01U.324.949**

**NDA-U-PMAL Pole mount adapter large**

Universal pole mount adapter, white; large  
Order number **NDA-U-PMAL | F.01U.324.944**

**NDA-U-PMAS Pole mount adapter small**

Pole mount adapter small  
Universal pole mount adapter, white; small.  
Order number **NDA-U-PMAS | F.01U.324.943**

**NDA-U-WMP Wall mount plate**

Back plate for universal wall mount, corner mount and  
pole mount, white, IP66  
Order number **NDA-U-WMP | F.01U.324.950**

**NDA-8000-PIP Pendant interface plate, indoor**

Pendant interface plate for FLEXIDOME IP 8000i and  
FLEXIDOME IP panoramic 6000/7000 outdoor.  
Order number **NDA-8000-PIP | F.01U.324.938**

**NDA-8000-PIPW Pendant interface plate, outdoor**

Pendant interface plate including weather protector for  
FLEXIDOME IP 8000i and FLEXIDOME IP panoramic  
6000/7000 outdoor.  
Order number **NDA-8000-PIPW | F.01U.324.967**

**Accessories****NDA-4020-PLEN Plenum box for PTZ dome**

In-ceiling housing for plenum spaces for AUTODOME IP  
4000i and AUTODOME IP 5000i cameras. Available in  
specific regions only.  
Order number **NDA-4020-PLEN | F.01U.396.548**  
**F.01U.324.915**

**SFP-2 Fiber module, multimode, 1310nm, 2LC**

SFP Fiber Optic Module, 2 km (1.2 miles), 2 LC  
connectors.  
Multi-mode  
1310 nm  
Order number **SFP-2 | F.01U.136.537**

**SFP-25 Fiber module, 1310/1550nm, 1SC**

SFP Fiber Optic Module, 2 km (1.2 miles), 1 SC  
connector  
Multi-mode  
1310/1550 nm  
Order number **SFP-25 | F.01U.136.541**

**SFP-26 Fiber module, 1550/1310nm, 1SC**

SFP Fiber Optic Module, 2 km (1.2 miles), 1 SC  
connector  
Multi-mode  
1550/1310 nm  
Order number **SFP-26 | F.01U.136.542**



**SFP-3 Fiber module, single-mode, 1310nm, 2LC**

SFP Fiber Optic Module, 20 km (12.4 miles), 2 LC connectors.

Single-mode

1310 nm

Order number **SFP-3 | F.01U.136.538**

---

**VG4-SFPSCKT Ethernet to SFP interface kit**

Ethernet media converter video transmitter/data receiver fiber optic kit for AUTODOME cameras, for MIC-IP-PSU for MIC analog cameras and for the Surveillance cabinets (NDA-U-PA0, NDA-U-PA1 and NDA-U-PA2).

Order number **VG4-SFPSCKT | F.01U.142.529**

---

**VGA-IC-SP Suspended ceiling support kit, 7"**

Suspended ceiling support kit for dome cameras.

Aperture Ø177 mm (Ø7 in). Maximum supported weight 11.3 kg (25 lb).

Order number **VGA-IC-SP | F.01U.245.271**

---

**LTC 9230/01 Parapet roof mount adapter**

Flat Roof Mount Adapter for mounting a unit in an upright position on a flat surface.

Order number **LTC 9230/01 | F.01U.503.630**

---

**Represented by:****Europe, Middle East, Africa:**

Bosch Security Systems B.V.  
P.O. Box 80002  
5600 JB Eindhoven, The Netherlands  
Phone: +31 40 2577 284  
emea.securitysystems@bosch.com  
emea.boschsecurity.com

**Germany:**

Bosch Sicherheitssysteme GmbH  
Robert-Bosch-Ring 5  
85630 Grasbrunn  
Germany  
www.boschsecurity.com

**North America:**

Bosch Security Systems, LLC  
130 Perinton Parkway  
Fairport, New York, 14450, USA  
Phone: +1 800 289 0096  
Fax: +1 585 223 9180  
onlinehelp@us.bosch.com  
www.boschsecurity.us

**Asia-Pacific:**

Robert Bosch (SEA) Pte Ltd, Security Systems  
11 Bishan Street 21  
Singapore 573943  
Phone: +65 6571 2808  
Fax: +65 6571 2699  
apr.securitysystems@bosch.com  
www.boschsecurity.asia