

LTC 9213/01 Pole Mount Adapter

www.boschsecurity.com



BOSCH

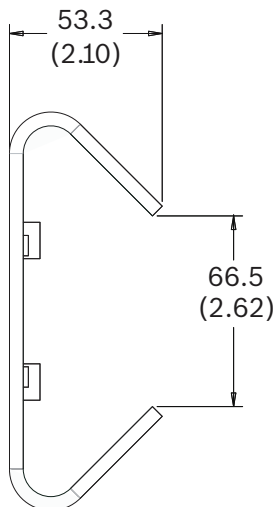
Invented for life



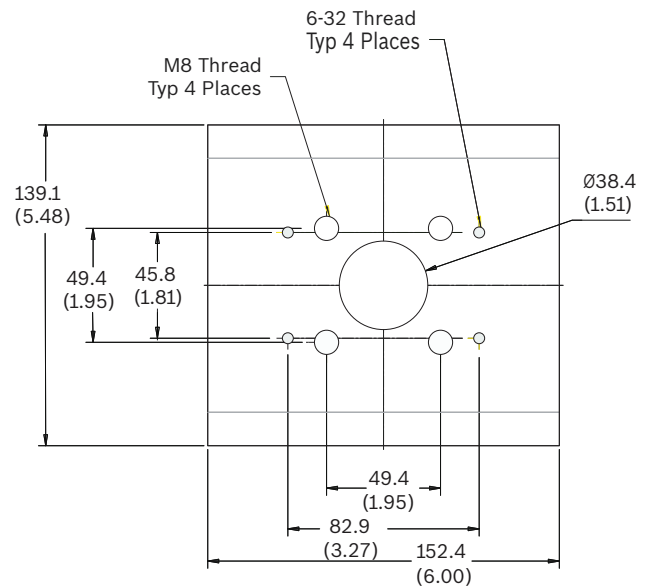
- ▶ Easy installation
- ▶ Sturdy construction

This adapter allows the installation of indoor/outdoor wall mounts to a pole capable of supporting the total weight of equipment installed (maximum 9 kg or 20 lb). The pole can range from 76 mm (3 inch) to 381 mm (15 inch) in diameter.

Installation/configuration notes



mm
(in)



Parts included

The packaging contains:

	Item
1x	Mount adapter
4x	Screw, hex head, M8 x 25
4x	Washer; spiral lock, M8
1x	Screw, oval head, # 6-32

Technical specifications

Width	152.4 mm (6 in)
Height	139.1 mm (5.48 in)
Depth	53.3 mm (2.1 in)
Length of strap	3 m (10 ft)
Pole width (max)	381 mm (15 in)
Pole width (min)	76 mm (3 in)
Weight	0.5 kg (1 lb)
Finish	Light gray
Material (mount)	Aluminum alloy
Material (strap)	Steel

Ordering information

LTC 9213/01 Pole Mount Adapter

Flexible pole mount adapter for camera mounts (use together with the appropriate wall mount bracket).
Max. 9 kg (20 lb); 3 to 15 inch diameter pole; stainless steel straps
Order number **LTC 9213/01**

Represented by:

Americas:

Bosch Security Systems, Inc.
130 Perinton Parkway
Fairport, New York, 14450, USA
Phone: +1 800 289 0096
Fax: +1 585 223 9180
security.sales@us.bosch.com
www.boschsecurity.us

Europe, Middle East, Africa:

Bosch Security Systems B.V.
P.O. Box 80002
5617 BA Eindhoven, The Netherlands
Phone: + 31 40 2577 284
Fax: +31 40 2577 330
emea.securitysystems@bosch.com
www.boschsecurity.com

Asia-Pacific:

Robert Bosch (SEA) Pte Ltd, Security Systems
11 Bishan Street 21
Singapore 573943
Phone: +65 6571 2808
Fax: +65 6571 2699
apr.securitysystems@bosch.com
www.boschsecurity.asia

China:

Bosch (Shanghai) Security Systems Ltd.
203 Building, No. 333 Fuquan Road
North IBP
Changning District, Shanghai
200335 China
Phone +86 21 22181111
Fax: +86 21 22182398
www.boschsecurity.com.cn

America Latina:

Robert Bosch Ltda Security Systems Division
Via Anhanguera, Km 98
CEP 13065-900
Campinas, Sao Paulo, Brazil
Phone: +55 19 2103 2860
Fax: +55 19 2103 2862
latam.boschsecurity@bosch.com
www.boschsecurity.com