

## LCZ-UM20-IN Ceiling loudspeaker 20W, metal



- ▶ Excellent speech and music reproduction
- ▶ High sound pressure level
- ▶ Ideal for high ceiling applications

The LCZ-UM20-IN is a 20 W loudspeaker with integrated circular metal grille. It has excellent audioperformance and is easy to install with its integral mounting clips. The loudspeaker is suitable for high ceiling applications.

### Functions

The LCZ-UM20-IN has a perforated metal grille, finished in an attractive off-white color. The LCZ-UM20-IN has a single piece 20W, dual cone loudspeaker.

A 100 V matching transformer is mounted on the back of the frame. It can be used in areas with high ceiling as well as in shops, departmental stores, offices, sports halls, hotels and restaurants.

The loudspeaker has been tested for operation at rated power for 100 hours in accordance with IEC 268-5 Power Handling Capacity (PHC) standards.

### Installation/configuration notes

Installation is easy with integral clips that securely hold the ceiling loudspeaker in its cut-out. The line matching transformer mounted on the ceiling loudspeaker can be tapped for nominal full power, half power and quarter power radiation to adjust in 3dB steps.

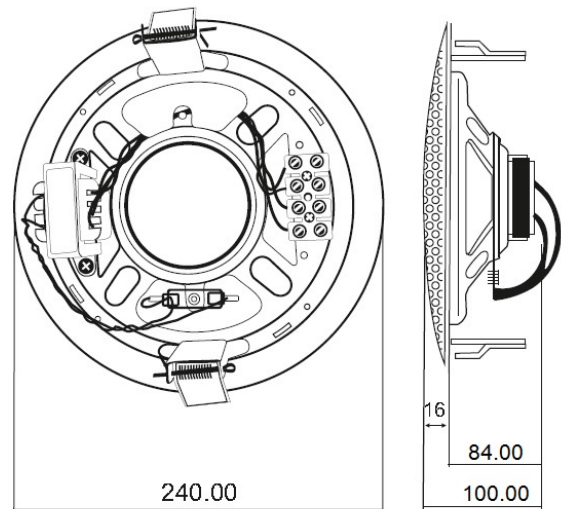


Fig. 1: Dimensions in mm

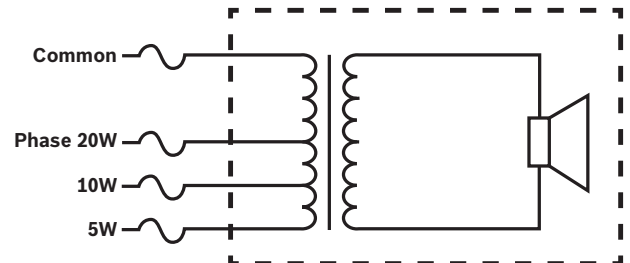


Fig. 2: Circuit diagram

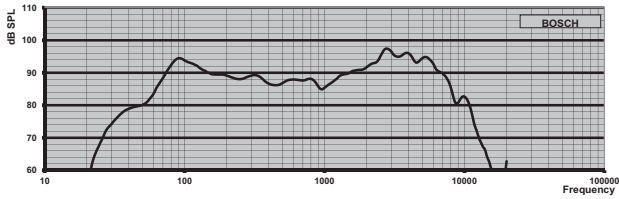


Fig. 3: Frequency response

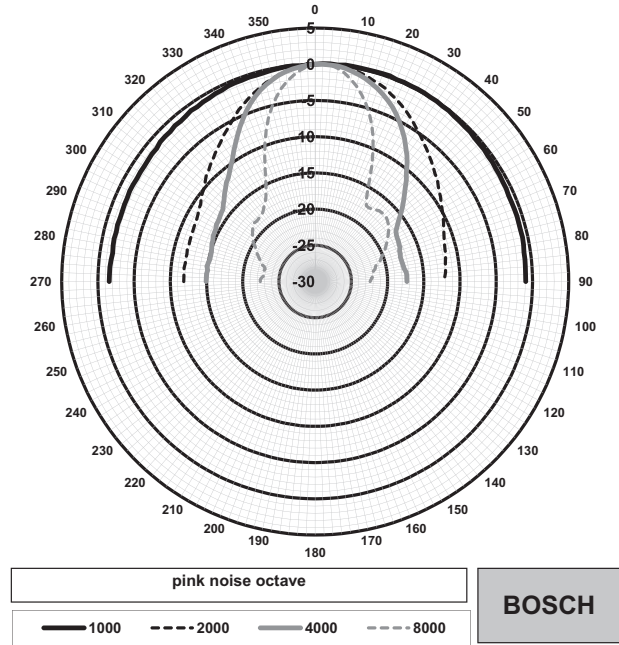


Fig. 4: Normalized polar plot

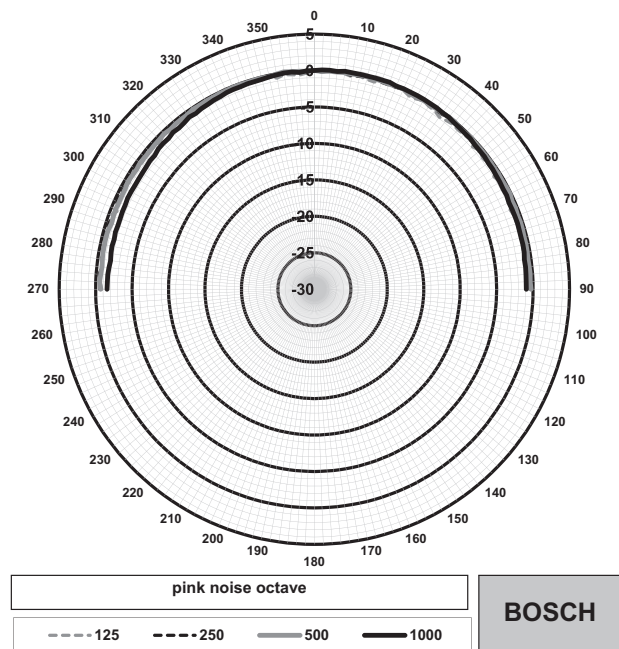


Fig. 5: Normalized polar plot

	Octave SPL 1W/1m	Total octave SPL 1W/1m	Total octave SPL Pmax/1m
125 Hz	92.1	-	-
250 Hz	88.5	-	-
500 Hz	87.1	-	-
1000 Hz	87.6	-	-
2000 Hz	93.1	-	-
4000 Hz	95.2	-	-
8000 Hz	88.2	-	-
A-weighted	-	89.2	101.6
Lin-weighted	-	90.0	102.6

(1/1)th octave band sensitivity

Octave band opening angles

	Horizontal	Vertical	
125 Hz	180	180	
250 Hz	180	180	
500 Hz	180	180	
1000 Hz	180	180	
2000 Hz	71	71	
4000 Hz	55	55	
8000 Hz	34	34	

Acoustical performance specified per octave.\* (all measurements are done with a pink noise signal; the values are in dB SPL).

**Parts included**

Quantity	Component
1	LCZ-UM20-IN Ceiling loudspeaker 20 W, metal

**Technical specifications**

**Electrical**

Rated Power	20 W (20 W / 10 W / 5 W)
Sound Pressure Level at 20W / 1 W (1 kHz, 1 m)	101.6 dB / 89.2 dB

Octave band sensitivity\*

Effective frequency range	40 Hz to 12 kHz (-10dB)
Opening angle (1kHz/4kHz, -6dB)	180° / 55°
Rated impedance	500 Ohm
Rated input voltage	100 V
Connector	4 Pole Screw Terminal

### Mechanical

Diameter	240 mm
Cutout diameter	206 mm
Depth	100 mm
Weight	1.6 kg
Color	Off White
Operating temperature	-5 °C to +55 °C
Storage temperature	-40 °C to +70 °C

### Ordering information

#### LCZ-UM20-IN Ceiling loudspeaker 20W, metal

Ceiling loudspeaker 20 W, perforated metal grille,  
integral clips for easy installation

Order number **LCZ-UM20-IN | F.01U.304.585**

#### Represented by:

**Europe, Middle East, Africa:**  
Bosch Security Systems B.V.  
P.O. Box 80002  
5600 JB Eindhoven, The Netherlands  
[www.boschsecurity.com/xc/en/contact/](http://www.boschsecurity.com/xc/en/contact/)  
[www.boschsecurity.com](http://www.boschsecurity.com)

**Germany:**  
Bosch Sicherheitssysteme GmbH  
Robert-Bosch-Platz 1  
D-70839 Gerlingen  
[www.boschsecurity.com](http://www.boschsecurity.com)

**North America:**  
Bosch Security Systems, LLC  
130 Perinton Parkway  
Fairport, New York, 14450, USA  
[www.boschsecurity.com](http://www.boschsecurity.com)

**Asia-Pacific:**  
Robert Bosch (SEA) Pte Ltd, Security Systems  
11 Bishan Street 21  
Singapore 573943  
[www.boschsecurity.com/xc/en/contact/](http://www.boschsecurity.com/xc/en/contact/)  
[www.boschsecurity.com](http://www.boschsecurity.com)