

LCZ-UM12-IN Ceiling loudspeaker 12W, metal



The LCZ-UM12-IN is a 12 W loudspeaker with integrated circular metal grille. It has excellent audio performance and is easy to install with its integral mounting clips. The loudspeaker is suitable for high ceiling applications.

Functions

The LCZ-UM12-IN has a perforated metal grille, finished in an attractive off-white color. The LCZ-UM12-IN has a single piece 12W, dual cone loudspeaker.

A 100 V matching transformer is mounted on the back of the frame. It can be used in areas with high ceiling as well as in shops, departmental stores, offices, sports halls, hotels and restaurants.

The loudspeaker has been tested for operation at rated power for 100 hours in accordance with IEC 268-5 Power Handling Capacity (PHC) standards.

Installation/configuration notes

Installation is easy with integral clips that securely hold the ceiling loudspeaker in its cut-out. The line matching transformer mounted on the ceiling loudspeaker can be tapped for nominal full power, half power and quarter power radiation to adjust in 3dB steps.

- ▶ Excellent speech and music reproduction
- ▶ High sound pressure level
- ▶ Ideal for high ceiling applications

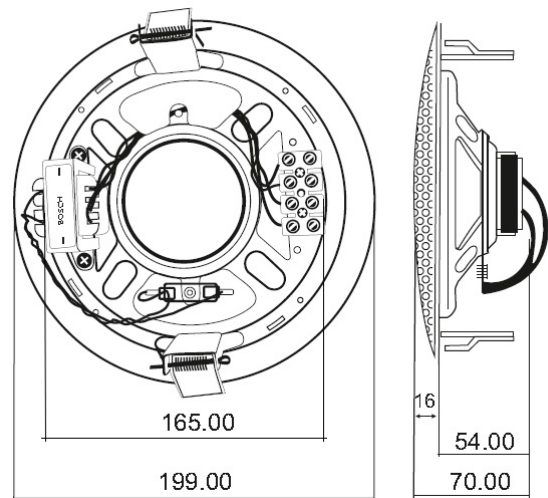


Fig. 1: Dimensions in mm

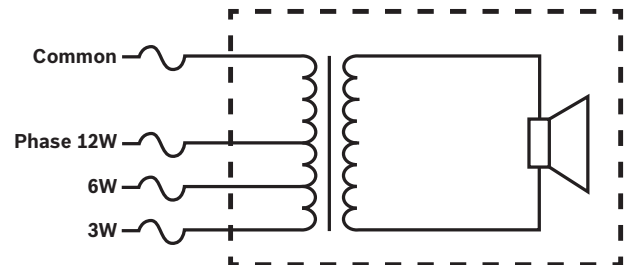


Fig. 2: Circuit Diagram

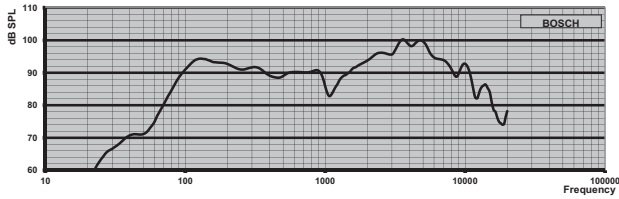


Fig. 3: Frequency Response

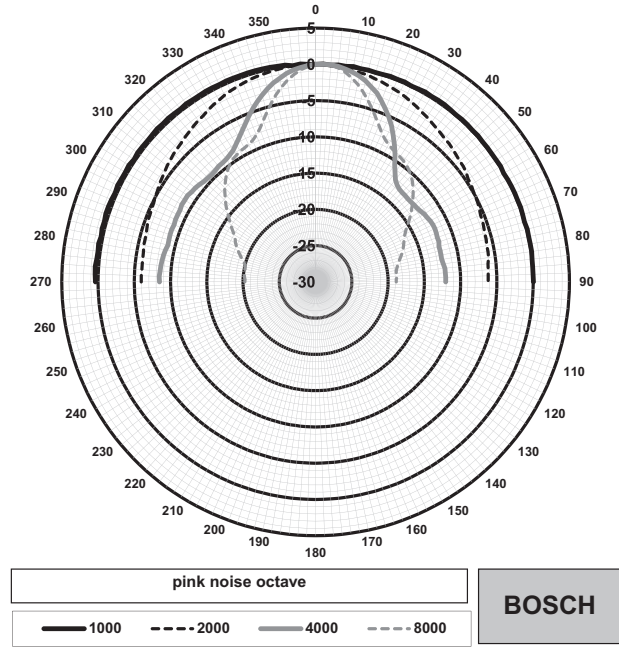


Fig. 4: Normalized polar plot

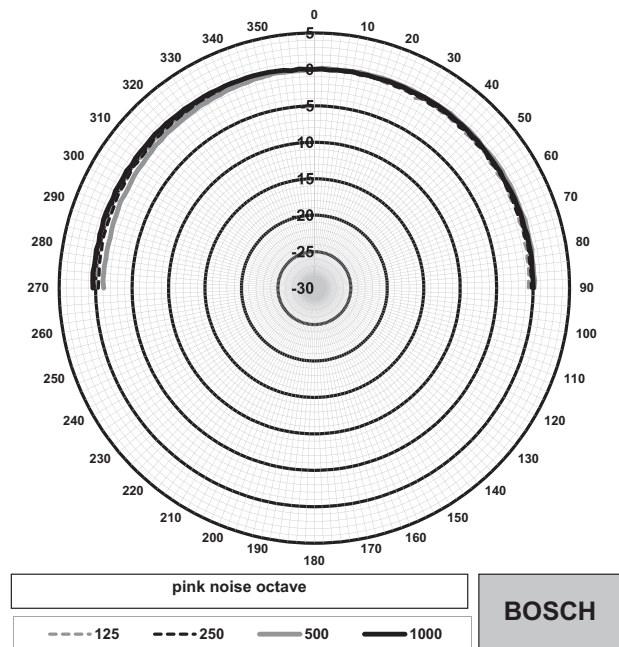


Fig. 5: Normalized polar plot

	Octave SPL 1W/1m	Total octave SPL 1W/1m	Total octave SPL Pmax/1m
125 Hz	93.0	-	-
250 Hz	91.5	-	-
500 Hz	89.6	-	-
1000 Hz	88.7	-	-
2000 Hz	94.0	-	-
4000 Hz	98.5	-	-
8000 Hz	92.5	-	-
A-weighted	-	91.7	101.6
Lin-weighted	-	92.2	102.2

(1/1)th octave band sensitivity

Octave band opening angles

	Horizontal	Vertical	
125 Hz	180	180	
250 Hz	180	180	
500 Hz	180	180	
1000 Hz	180	180	
2000 Hz	173	173	
4000 Hz	50	50	
8000 Hz	37	37	

Acoustical performance specified per octave.* (all measurements are done with a pink noise signal; the values are in dB SPL).

Parts included

Quantity	Component
1	LCZ-UM12-IN Ceiling loudspeaker 12 W, metal

Technical specifications

Electrical

Rated Power	12 W (12 W / 6 W / 3 W)
Sound Pressure Level at 12W / 1 W (1 kHz, 1 m)	99 dB / 88.7 dB

Octave band sensitivity*

Effective frequency range	70 Hz to 17 kHz(-10dB)
Opening angle (1kHz/4kHz, -6dB)	175° / 50°
Rated impedance	833 Ohm
Rated input voltage	100 V
Connector	4 Pole Screw Terminal

Mechanical

Diameter	200 mm
Cutout diameter	165 mm
Depth	70 mm
Weight	1.3 kg
Color	Off White
Operating temperature	-5 °C to +55 °C
Storage temperature	-40 °C to +70 °C

Ordering information

LCZ-UM12-IN Ceiling loudspeaker 12W, metal
 Ceiling loudspeaker 12 W, perforated metal grille,
 integral clips for easy installation
 Order number **LCZ-UM12-IN | F.01U.294.063**

Represented by:

Europe, Middle East, Africa:
 Bosch Security Systems B.V.
 P.O. Box 80002
 5600 JB Eindhoven, The Netherlands
www.boschsecurity.com/xc/en/contact/
www.boschsecurity.com

Germany:
 Bosch Sicherheitssysteme GmbH
 Robert-Bosch-Platz 1
 D-70839 Gerlingen
www.boschsecurity.com

North America:
 Bosch Security Systems, LLC
 130 Perinton Parkway
 Fairport, New York, 14450, USA
www.boschsecurity.com

Asia-Pacific:
 Robert Bosch (SEA) Pte Ltd, Security Systems
 11 Bishan Street 21
 Singapore 573943
www.boschsecurity.com/xc/en/contact/
www.boschsecurity.com