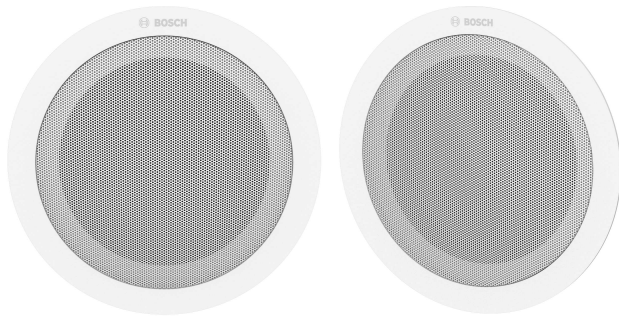


LC9-UC06 Ceiling speaker 6W white



The LC9-UC06 and LC9UC06B are compact, 6W, general-purpose, cost-effective ceiling mount loudspeakers with a perforated metal grille. They are designed for a wide range of applications and have an excellent speech and music performance. The loudspeakers are easy to install thanks to their integral mounting clips. They are available in 2 versions, without backcan (LC9-UC06) and with backcan (LC9-UC06B).

Functions

The LC9-UC06 and LC9-UC06B have a perforated metal grille with a plastic surround, finished in an attractive white RAL 9003 color. The loudspeakers feature a very wide opening angle, which means fewer units are required to cover a given area. The wide frequency range means better speech and better music reproduction. The unit is supplied with a 100V matching transformer with taps on the primary winding for full-power, half-power, and quarter-power radiation.

Certifications and approvals

Quality assurance

All Bosch loudspeakers are designed to withstand operating at their rated power for 100 hours in accordance with IEC 60268-5 Power Handling Capacity (PHC) standards. Bosch has also developed the Simulated Acoustical Feedback Exposure (SAFE) test to demonstrate that they can withstand two times their rated power for short durations. This ensures improved reliability under extreme conditions, leading

- ▶ Easy to install
- ▶ Simple power setting
- ▶ Suitable for speech and music reproduction
- ▶ Flush-mounting in ceiling cavity

to higher customer satisfaction, longer operating life, and lessens the chance of failure or performance deterioration.

Safety acc. to EN 62368-1

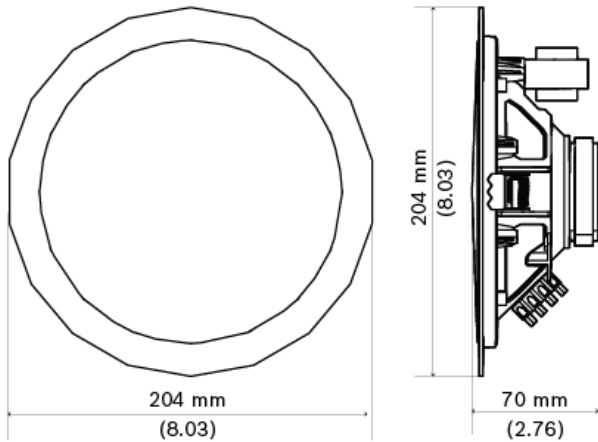
Region	Certification
Europe	CE, IEC 62368-1

Installation/configuration notes

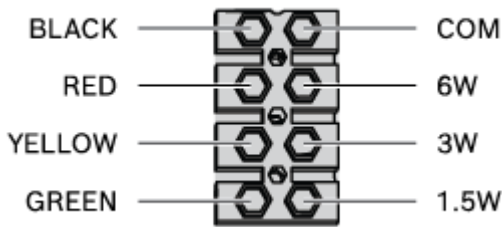
Installation/configuration notes

Installation is very easy with integral clips that securely hold the ceiling loudspeaker in its cut-out. Ceilings from 9 to 25mm thick can be accommodated. A template is also provided for accurately marking the cut-out in the ceiling panels. Wiring is via a screw-terminal next to the transducer (LC9-UC06) or on the backcan (LC9-UC06B).

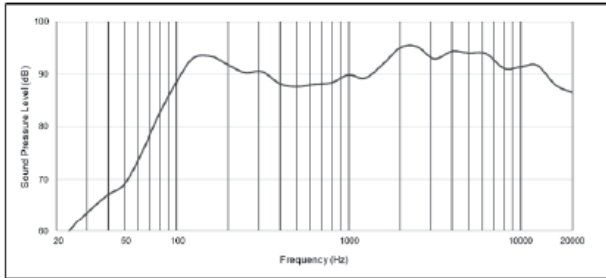
• **Dimensions**



• **Wiring Diagram**



• **Frequency Response**



Frequency Response (Peak -20 dB) ⁽¹⁾	65 Hz - 20 kHz
Sensitivity (SPL 1 W/1 m)	92 dB
Max SPL (SPL 6 W/1 m)	100 dB
Coverage Pattern @ 1 kHz/4 kHz (-6dB)	180° / 70°
Rated Impedance	1667 Ω@6 W 3333 Ω@3 W 6667 Ω@1.5 W
Input Configuration	100 V
Transformer Taps	6, 3, 1.5 W
Dimensions (Diameter x Height)	204 x 70 mm
Net Weight	0.6 kg
Shipping Weight (6 units)	4.2 kg
Color	White (RAL 9003)
Approvals	CE, IEC 62368-1
Operating temperature	-25 °C to +55 °C (-13 °F to +131 °F)
Storage temperature	-40 °C to +70 °C (-40 °F to +158 °F)
Relative humidity	<95%

*Technical performance data acc. to IEC 60268-5

(1) For comparison purposes

Ordering information

LC9-UC06 Ceiling speaker 6W white
 Compact, general-purpose ceiling speaker, flush-mount, 6W, perforated metal grille, no backcan, white
 Order number **LC9-UC06** | F.01U.387.361
 Asset Key **Vepos**

Parts included

Quantity	Component
6	LCP-UC06 Ceiling Speaker 6W white
1	Installation Instruction

Technical specifications

Power handling	6 W
Rated Frequency Range (-10 dB)	80 Hz - 20 kHz

Represented by:

Europe, Middle East, Africa:
 Bosch Security Systems B.V.
 P.O. Box 80002
 5600 JB Eindhoven, The Netherlands
 Phone: + 31 40 2577 284
 emea.securitysystems@bosch.com
 emea.boschsecurity.com

Germany:
 Bosch Sicherheitssysteme GmbH
 Robert-Bosch-Ring 5
 85630 Grasbrunn
 Germany
 www.boschsecurity.com

North America:
 Bosch Security Systems, LLC
 130 Perinton Parkway
 Fairport, New York, 14450, USA
 Phone: +1 800 289 0096
 Fax: +1 585 223 9180
 onlinehelp@us.bosch.com
 www.boschsecurity.us

Asia-Pacific:
 Robert Bosch (SEA) Pte Ltd, Security Systems
 11 Bishan Street 21
 Singapore 573943
 Phone: +65 6571 2808
 Fax: +65 6571 2699
 apr.securitysystems@bosch.com
 www.boschsecurity.asia