

LBD8356/00 Plastic speaker dome



- ▶ Easy to install on true ceiling areas
- ▶ Supports LBD0606/10 and LCZ-UM12-IN speakers

The LBD8356/00 is used as a back box for mounting speakers in areas without false ceiling. The backbox supports ceiling speakers like LBD0606/10 and LCZ-UM12-IN.

Installation/configuration notes

The LBD8356/00 is manufactured from ABS material. The back box needs to be fixed on the true ceiling or on the concrete ceiling using screws; the screw needs to be directly drilled into the concrete/ true ceiling. The speakers can be mounted on the back box using the springs available on the ceiling speaker.

The back box has provision for looping in and out for the loudspeaker connecting cables.

It must be ensured that the back box is properly fixed on to the hard ceiling so that the weight of ceiling speaker is supported.

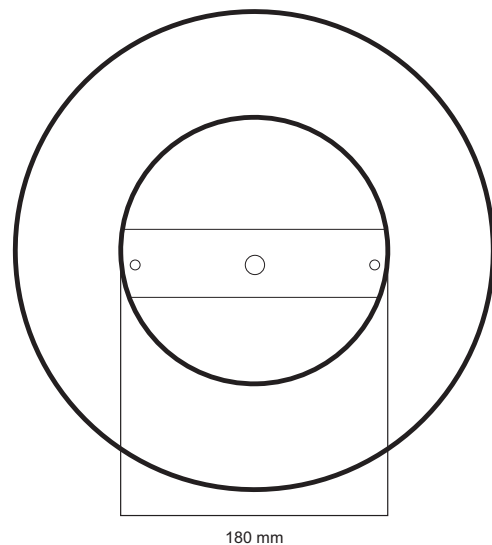


Fig. 1:

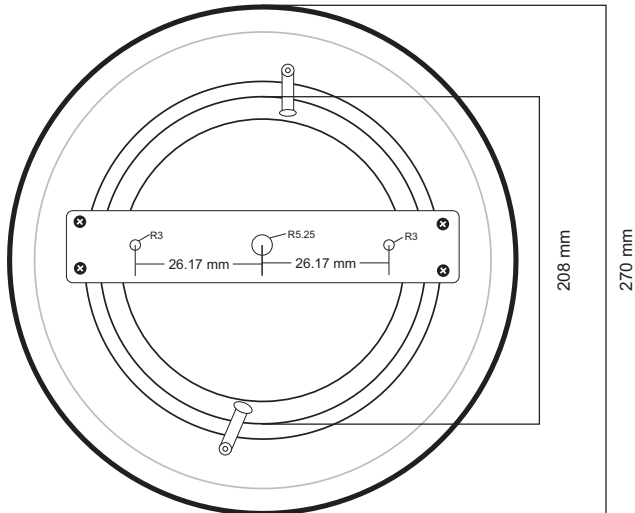


Fig. 2: Product dimensions

Parts included

Quantity	Component
1	LBD8356/00 Plastic speaker dome

Technical specifications

Mechanical

Outer diameter	272 mm
Weight	0.35 kg
Color	Off-white

Ordering information

LBD8356/00 Plastic speaker dome
 Plastic speaker dome
 Order number **LBD8356/00 | F.01U.281.116**

Represented by:

Europe, Middle East, Africa:
 Bosch Security Systems B.V.
 P.O. Box 80002
 5600 JB Eindhoven, The Netherlands
www.boschsecurity.com/xc/en/contact/
www.boschsecurity.com

Germany:
 Bosch Sicherheitssysteme GmbH
 Robert-Bosch-Platz 1
 D-70839 Gerlingen
www.boschsecurity.com

North America:
 Bosch Security Systems, LLC
 130 Perinton Parkway
 Fairport, New York, 14450, USA
www.boschsecurity.com

Asia-Pacific:
 Robert Bosch (SEA) Pte Ltd, Security Systems
 11 Bishan Street 21
 Singapore 573943
www.boschsecurity.com/xc/en/contact/
www.boschsecurity.com