

LBD3905-L Cabinet loudspeaker 12W, (bi-dir), white



- ▶ Good speech intelligibility and background music reproduction
- ▶ Wedge shaped design
- ▶ MDF construction

The LBD3905-L is a 12W, general-purpose, cost effective bidirectional loudspeaker for indoor use. The baffle design creates a wide opening angle, making this loudspeaker very suitable for use in long corridors. Keyholes at the rear are provided for quick and easy wall mounting.

Functions

The robust, solid MDF (Medium Density Fiber board) enclosures are covered with a durable, easy-to-clean black vinyl. The ABS fronts are covered with fine woven cloth in matching color.

The cabinet has two dual cone loudspeaker drivers, mounted on an angled baffle, providing a wide opening angle.

The loudspeaker has been tested for operation at rated power for 100 hours in accordance with IEC 268-5 Power Handling Capacity (PHC) standards.

Installation/configuration notes

Three keyholes in the rear panel provide easy and quick wall mounting.

A convenient, easy-to-use, 4-pole push-in terminal block is on the rear panel for on-site wiring.

This terminal block has provision for power tapping on the 100-volt, matching transformer in the cabinet. It allows selection of nominal full-power, half-power or quarter power radiation (in 3 dB steps).

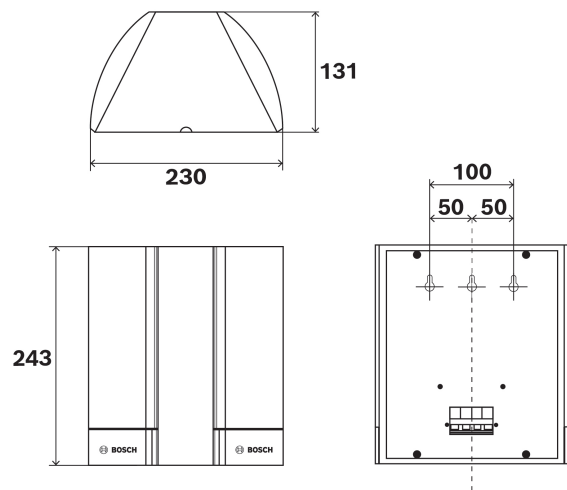


Fig. 1: Dimensions in mm

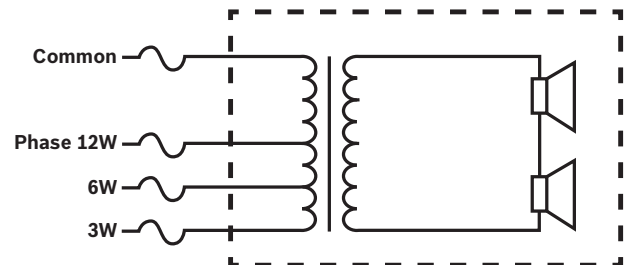


Fig. 2: Circuit diagram

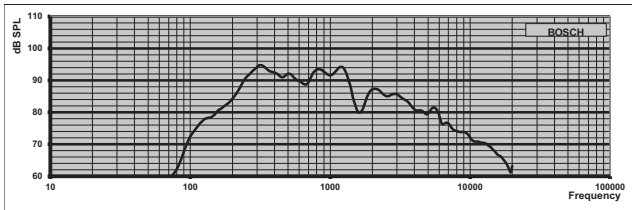


Fig. 3: Frequency response LBD3905-L

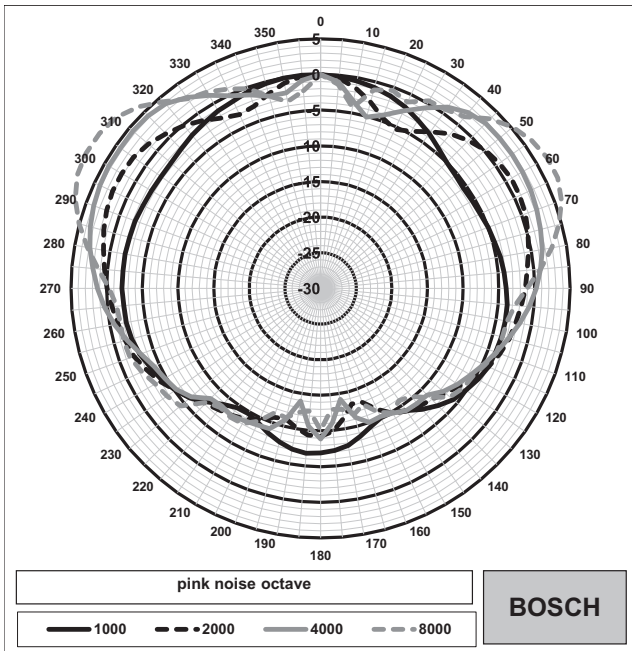


Fig. 4: Normalized polar plot LBD3905-L

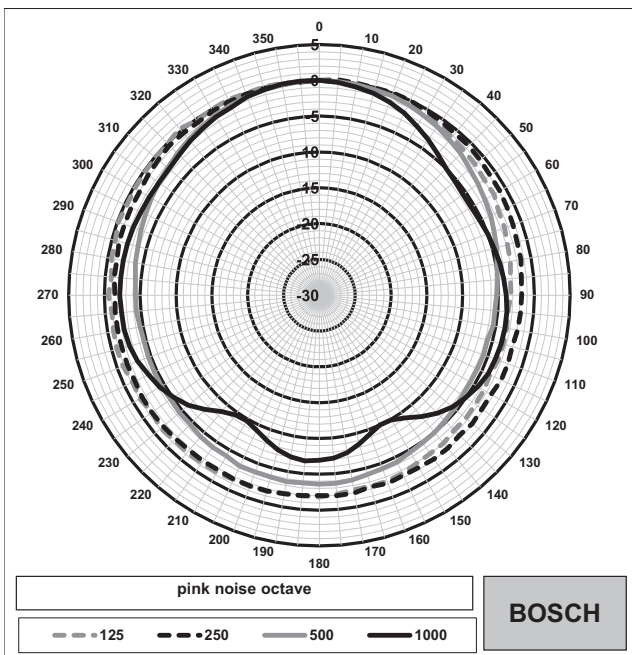


Fig. 5: Normalized polar plot LBD3905-L

125 Hz	78.0	-	-
250 Hz	91.9	-	-
500 Hz	91.5	-	-
1000 Hz	92.6	-	-
2000 Hz	85.4	-	-
4000 Hz	83.0	-	-
8000 Hz	76.4	-	-
A-weighted	-	85.4	95.4
Lin-weighted	-	87.3	97.4

(1/1)th octave band sensitivity

Octave band opening angles

	Horizontal	Vertical	
125 Hz	360	360	
250 Hz	360	360	
500 Hz	360	360	
1000 Hz	261	261	
2000 Hz	254	254	
4000 Hz	250	250	
8000 Hz	261	261	

Acoustical performance specified per octave LBD3905-L.* (all measurements are done with a pink noise signal; the values are in dB SPL).

Parts included

Quantity	Component
1	LBD3905-L Cabinet loudspeaker 12W, (bi-dir), white

Technical specifications

Electrical

Rated power	12 W (12 W / 6 W / 3 W)
Sound pressure level at 6 W / 1 W (1 kHz, 1 m)	95.4 dB / 85.4 dB (SPL)
Effective frequency range	150 Hz to 15 kHz

Octave band sensitivity*

Octave SPL 1W/1m	Total octave SPL 1W/1m	Total octave SPL Pmax/1m

Opening angle horizontal at 1kHz / 4kHz (-6dB)	261° / 250°
Opening angle vertical at 1kHz / 4kHz (-6dB)	261° / 250°
Rated impedance	833 ohm
Rated input voltage	100 V
Connector	4-pole push-in terminal

Mechanical

Dimensions (H x W x D)	243 mm x 230 mm x 131 mm
Weight	1.9 kg
Color	White

Environmental

Operating temperature	-5 °C to +55 °C
Storage temperature	-40 °C to +70 °C

Ordering information

LBD3905-L Cabinet loudspeaker 12W, (bi-dir), white
 Cabinet loudspeaker 12 W, bidirectional, MDF enclosure, finished in white, with keyholes for wall mounting.
 Order number **LBD3905-L | F.01U.294.072**

Represented by:

Europe, Middle East, Africa:
 Bosch Security Systems B.V.
 P.O. Box 80002
 5600 JB Eindhoven, The Netherlands
www.boschsecurity.com/xc/en/contact/
www.boschsecurity.com

Germany:
 Bosch Sicherheitssysteme GmbH
 Robert-Bosch-Platz 1
 D-70839 Gerlingen
www.boschsecurity.com

North America:
 Bosch Security Systems, LLC
 130 Perinton Parkway
 Fairport, New York, 14450, USA
www.boschsecurity.com

Asia-Pacific:
 Robert Bosch (SEA) Pte Ltd, Security Systems
 11 Bishan Street 21
 Singapore 573943
www.boschsecurity.com/xc/en/contact/
www.boschsecurity.com