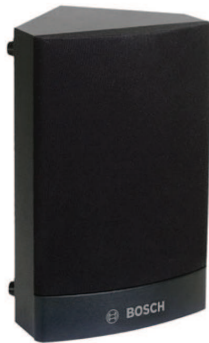


## LBD3904-D Cabinet loudspeaker 6W, corner, black



- ▶ Good speech intelligibility and background music reproduction
- ▶ Special shape for mounting in corners
- ▶ MDF construction

The LBD3904-D is a 6 W, general-purpose cost-effective loudspeaker for indoor use. Two brackets with keyholes, fixed on one side provide quick and easy mounting in corners between two walls, or between a wall and ceiling.

### Functions

The robust, solid MDF (Medium Density Fiber board) enclosures are covered with a durable, easy-to-clean black vinyl. The ABS fronts are covered with fine woven cloth in matching color.

The loudspeaker has been tested for operation at rated power for 100 hours in accordance with IEC 268-5 Power Handling Capacity (PHC) standards.

### Installation/configuration notes

Two keyhole brackets at one side of the cabinet are provided for easy and quick wall mounting. The other side of the cabinet is provided with two bushes for absorbing unwanted vibrations and secure mounting.

A convenient easy-to-use, 4-pole push-in terminal block is present on the side for on-site wiring. This terminal block has provision for power tapping on the 100-volt, matching transformer in the cabinet. It allows selection of nominal full-power, half-power or quarter power radiation (in 3 dB steps).

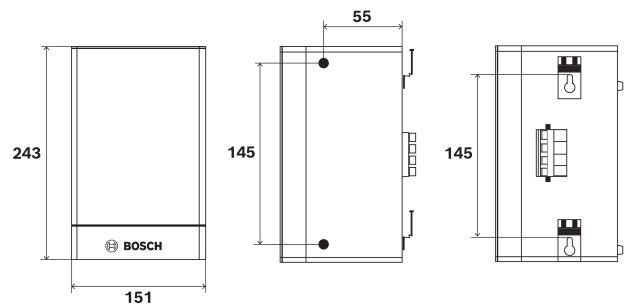


Fig. 1: Dimensions in mm

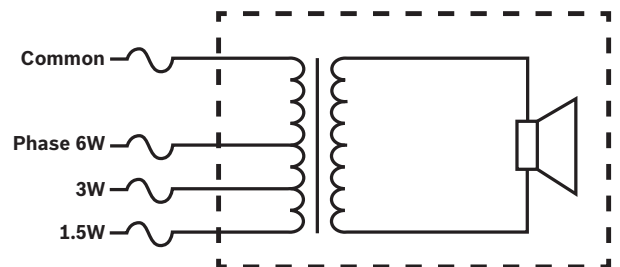


Fig. 2: Circuit diagram

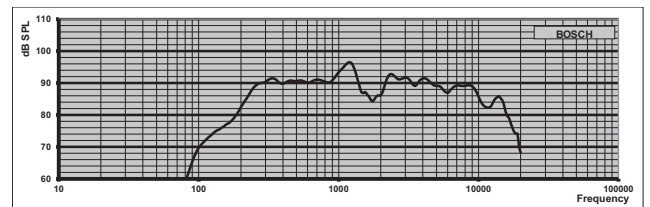


Fig. 3: Frequency response

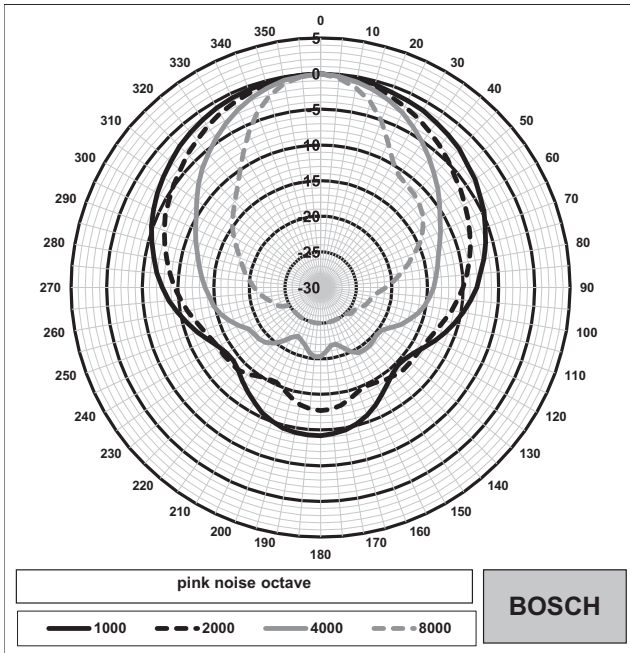


Fig. 4: Normalized polar plot

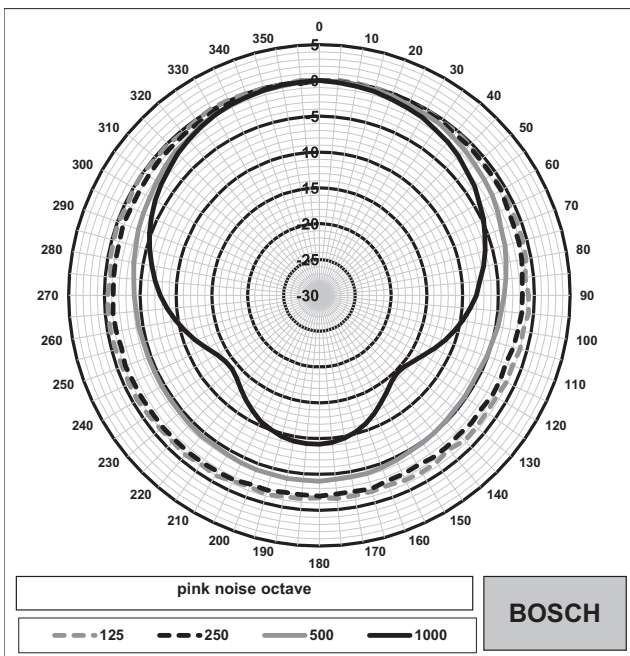


Fig. 5: Normalized polar plot

Octave band sensitivity\*

	Octave SPL 1W/1m	Total octave SPL 1W/1m	Total octave SPL Pmax/1m
125 Hz	74.9	-	-
250 Hz	89.6	-	-
500 Hz	91.0	-	-
1000 Hz	94.3	-	-

2000 Hz	89.9	-	-
4000 Hz	91.3	-	-
8000 Hz	89.3	-	-
A-weighted	-	88.6	95.9
Lin-weighted	-	89.2	96.6

(1/1)th octave band sensitivity

Octave band opening angles

125 Hz	360
250 Hz	360
500 Hz	360
1000 Hz	153
2000 Hz	120
4000 Hz	81
8000 Hz	47

Acoustical performance specified per octave\* (all measurements are done with a pink noise signal; the values are in dB SPL).

Parts included

Quantity	Component
1	LBD3904-D Cabinet loudspeaker 6W, corner, black

Technical specifications

Electrical

Rated power	6 W (6 W / 3 W / 1.5 W)
Sound pressure level at 6 W / 1 W (1 kHz, 1 m)	95.9 dB / 88.6 dB (SPL)
Effective frequency range	150 Hz to 15 kHz
Opening angle horizontal at 1kHz / 4kHz (-6dB)	153° / 81°
Opening angle vertical at 1kHz / 4kHz (-6dB)	153° / 81°
Rated impedance	1667 ohm
Rated input voltage	100 V
Connector	4-pole push-in terminal

## Mechanical

Dimensions (H x W x D)	243 mm x 151 mm x 131 mm
Weight	1.2 kg
Color	Black

## Environmental

Operating temperature	-5 °C to +55 °C
Storage temperature	-40 °C to +70 °C

## Ordering information

**LBD3904-D Cabinet loudspeaker 6W, corner, black**  
Cabinet loudspeaker 6 W, MDF enclosure, finished in black, with two brackets for corner mounting.  
Order number **LBD3904-D | F.01U.294.066**

### Represented by:

**Europe, Middle East, Africa:**  
Bosch Security Systems B.V.  
P.O. Box 80002  
5600 JB Eindhoven, The Netherlands  
[www.boschsecurity.com/xc/en/contact/](http://www.boschsecurity.com/xc/en/contact/)  
[www.boschsecurity.com](http://www.boschsecurity.com)

**Germany:**  
Bosch Sicherheitssysteme GmbH  
Robert-Bosch-Platz 1  
D-70839 Gerlingen  
[www.boschsecurity.com](http://www.boschsecurity.com)

**North America:**  
Bosch Security Systems, LLC  
130 Perinton Parkway  
Fairport, New York, 14450, USA  
[www.boschsecurity.com](http://www.boschsecurity.com)

**Asia-Pacific:**  
Robert Bosch (SEA) Pte Ltd, Security Systems  
11 Bishan Street 21  
Singapore 573943  
[www.boschsecurity.com/xc/en/contact/](http://www.boschsecurity.com/xc/en/contact/)  
[www.boschsecurity.com](http://www.boschsecurity.com)