

# IP54 Gasket Kit

VGA-IP54K-IC | VGA-IP54K-IC78



**BOSCH**

en Installation Guide



---

# Table of Contents

<b>1</b>	<b>Important Safety Instructions</b>	<b>4</b>
<b>2</b>	<b>Unpacking</b>	<b>5</b>
2.1	Parts List	5
<b>3</b>	<b>Using the Gasket Kit</b>	<b>6</b>
3.1	Schematic	6
3.2	Installing the Gasket Kit	7

# 1 Important Safety Instructions

Read, follow, and retain all of the following safety instructions. Heed all warnings on the unit and in the operating instructions before operation.

1. Clean only with a dry cloth. Do not use liquid cleaners or aerosol cleaners.
2. Use only replacement parts specified by the manufacturer.
3. Install in accordance with the manufacturer's instructions in accordance with applicable local codes. Use only attachments/accessories specified by the manufacturer. Equipment change or modification could void the user's guarantee or authorization agreement.

This Installation Manual is the intellectual property of Bosch Security Systems; protected by copyright. Contact: [www.boschsecurity.com](http://www.boschsecurity.com)

## 2 Unpacking

This equipment should be unpacked and handled with care. If an item appears to have been damaged in shipment, notify the shipper immediately.

Verify that all the parts listed in the Parts List below are included. If any items are missing, notify your Bosch Security Systems Sales or Customer Service Representative.

The original packing carton is the safest container in which to transport the unit and must be used if returning the unit for service. Save it for possible future use.

This installation should be made by qualified service personnel and conform to the National Electrical Code and applicable local codes.

### 2.1 Parts List

Verify that all parts listed in the table below are included with the VGA-IP54K Gasket Kit. If any items are missing, notify your Bosch Security Systems Sales or Customer Service Representative.

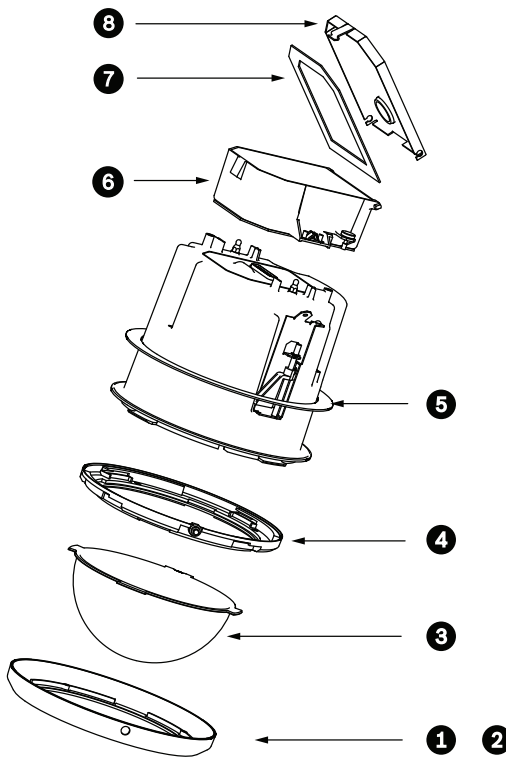
- One (1) White Trim Ring with gasket installed
- One (1) Black Trim Ring with gasket installed
- One (1) Ceiling Gasket
- One (1) Interface Box Gasket (self-stick)

## 3 Using the Gasket Kit

The following instructions are for installing the VGA-IP54K-IC or the VGA-IP54K-IC78 (IP54 Gasket Kit) with a new Bosch In-ceiling AutoDome. If retrofitting the kit to a previously installed AutoDome, the In-ceiling housing and the Interface Box must be removed from the ceiling and the original bubble and trim ring must be removed from the in-ceiling housing before proceeding.

### 3.1 Schematic

Use the following illustration with the installation instructions that follow:



1	White Trim Ring with gasket installed	5	Ceiling Gasket
2	Black Trim Ring with gasket installed	6	Interface Box
3	Bubble (from original assembly)	7	Interface Box Gasket (self-stick)
4	Inner Ring (from original assembly)	8	Interface Box Lid

## 3.2 Installing the Gasket Kit

Use the following steps to install the VGA-IP54K Gasket Kit.

1. **Remove the Bubble from the original Trim Ring Assembly.**
  - a. Remove the outer set screw from the trim ring and bubble that shipped with the in-ceiling AutoDome. Set aside the set screw for later use.
  - b. Turn the original bubble and trim ring over and remove the four (4) screws from the inner ring with a #1 Phillips screwdriver. Set aside the screws for later use. Remove the bubble (item 3) and the inner ring (item 4) from the trim ring. Set aside the inner ring and the bubble for later use.
  - c. Discard the original trim ring.
2. **Attach the bubble to the new trim ring assembly.**
  - a. Choose the white or black trim ring with pre-installed gasket from the VGA-IP54K kit (item 1 or 2).
  - b. Place the bubble into the IP54 trim ring.
  - c. Place the inner ring from the original assembly (item 4) over the bubble flanges and align the inner ring lock-screw hole to the hole in the side of the trim ring.
  - d. Secure the trim ring to the inner ring with the set screw and the four (4) screws set aside earlier, using a #1 Phillips screwdriver.
3. **Install the gasket to the inside of the Interface Box lid.**
  - a. Open the lid of the Interface Box (item 8), and remove it from the Interface Box (item 6).
  - b. Remove the protective paper from the self-stick gasket provided in the kit (item 7).
  - c. Align the adhesive side of the gasket to the inside of the Interface Box lid, and attach to the Interface Box.
  - d. Re-attach the lid with the gasket attached to the Interface Box.

4. **Install the Ceiling Gasket around the In-Ceiling Housing.**
  - a. Place the ceiling gasket (item 5) provided in the kit over the top of the in-ceiling housing.
  - b. Carefully slide the gasket down over the housing, until it rests on the flange of the housing.
5. **Install the In-ceiling AutoDome.**

Follow the instructions provided in the installation instruction provided with the AutoDome.





**Bosch Security Systems, Inc.**

850 Greenfield Road

Lancaster, PA 17601

U.S.A.

**[www.boschsecurity.com](http://www.boschsecurity.com)**

© Bosch Security Systems, Inc., 2011