

# ISC-MCLS3-S Bolt contact, conventional

www.boschsecurity.com



**BOSCH**  
Invented for life



- ▶ Bolt contact for window closure monitoring
- ▶ Suitable for windows with locking latch
- ▶ Head-on or parallel flush mounting
- ▶ VdS class C/EN 50131-2-6 Grade 3

The RKF bolt contact monitors the closure status of windows.

## Functions

The bolt contact is based on the principle of a magnetic contact. The switch consists of a reed contact, which is cast in a plastic sleeve. A very small special magnet (ring magnet, diameter 10 mm x 5 mm) is used to operate the switch; this magnet is screwed onto the locking latch of the window casement.

The contact must be assigned to a separate closure detector zone and is therefore included in the forced actuation system of the connected intrusion control panel.

## Certifications and approvals

Region	Certification	
Germany	VdS	G113043
Europe	CE	ISC-MCLS3-S
	EN50131	ISC-MCLS3-S

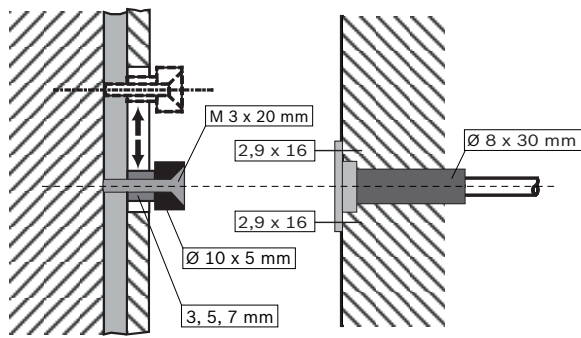
Region	Regulatory compliance/quality marks	
Germany	VdS	
Europe	CE	[ISC-MCLS3-S, ISC-MCOLS3-S, ISC-RSC2-S, ISC-RSC3-S]
Russia	GOST	EAC

## Installation/configuration notes

### Installation information

- The bolt contact is suitable for monitoring the closure of windows that are locked shut by means of a locking latch. This is the case for almost all newer types of windows. A check should therefore be performed as early as the quotation stage to ascertain whether the windows to be monitored are suitable for the bolt contact.
- It is also possible to monitor older window types without a locking latch. The best technical solution must be determined on a case-by-case basis and therefore is not a part of this description.
- Installation should be coordinated with the window supplier, so as not to endanger any potential warranty claims.

**Head-on mounting**



**Parts included**

Quantity	Component
1	Bolt contact incl. housing and flange

**Technical specifications**

**Electrical**

Maximum load in W	5
Maximum voltage in VDC	110
Minimum current in mA	0.01
Maximum current in mA	100

**Mechanical**

Dimension in cm (Ø x D) (switch)	0.8 x 3
Dimension in cm (H x W x D) (magnet)	1 x 0.36 x 0.5

Material (magnet)	Neodymium
Reed contacts	Normally open
Switch cycles	10 <sup>7</sup>
Color	White (RAL 9003)
Cable type	LIYY 2 x 0.14 mm <sup>2</sup>
Cable length in m	6

**Environmental**

Minimum operating temperature in °C	-25
Maximum operating temperature in °C	70
Environmental class	VdS: III - EN: IIIa
VdS class	C
Protection class	67

**Ordering information**

**ISC-MCLS3-S Bolt contact, conventional**

For monitoring the closure of windows with locking latch, head-on or parallel flush mounting  
Order number **ISC-MCLS3-S**

**Represented by:**

**Europe, Middle East, Africa:**  
Bosch Security Systems B.V.  
P.O. Box 80002  
5600 JB Eindhoven, The Netherlands  
Phone: + 31 40 2577 284  
emea.securitysystems@bosch.com  
emea.boschsecurity.com

**Germany:**  
Bosch Sicherheitssysteme GmbH  
Robert-Bosch-Ring 5  
85630 Grasbrunn  
Germany  
www.boschsecurity.com

**North America:**  
Bosch Security Systems, Inc.  
130 Perinton Parkway  
Fairport, New York, 14450, USA  
Phone: +1 800 289 0096  
Fax: +1 585 223 9180  
onlinehelp@us.bosch.com  
www.boschsecurity.us

**Asia-Pacific:**  
Robert Bosch (SEA) Pte Ltd, Security Systems  
11 Bishan Street 21  
Singapore 573943  
Phone: +65 6571 2808  
Fax: +65 6571 2699  
apr.securitysystems@bosch.com  
www.boschsecurity.asia