

# IIR-MNT-SLB Single L-bracket

www.boschsecurity.com

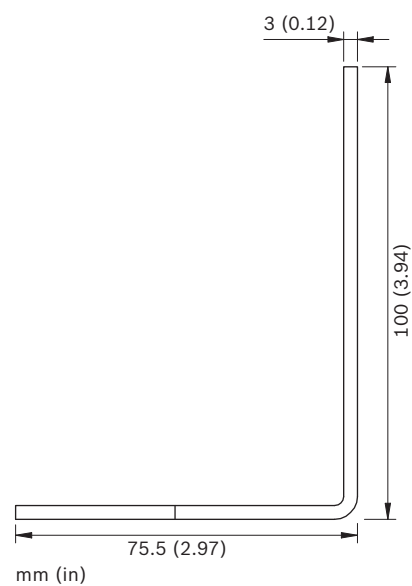
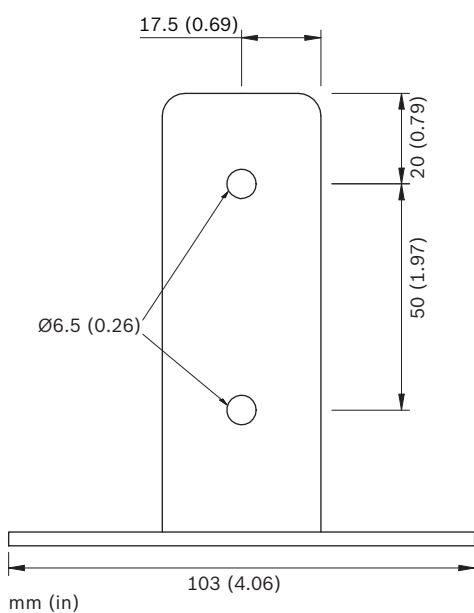


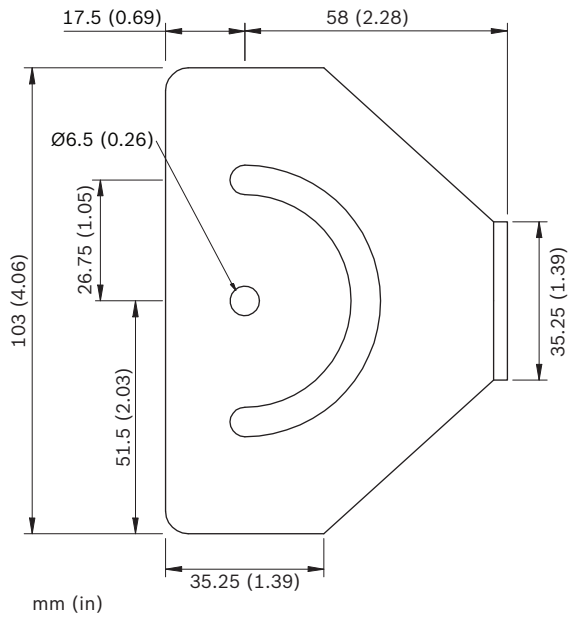
**BOSCH**  
Invented for life



- ▶ L-mount wall bracket for single illuminator
- ▶ 180° rotation
- ▶ Fully adjustable
- ▶ Stainless steel construction

## Installation/configuration notes





### Parts included

Quantity	Component
1	L-mount wall bracket for single illuminator
	Attachment components

### Technical specifications

#### Mechanical

Dimensions (W x H x D)	103 x 100 x 75.5 mm (4.06 x 3.94 x 2.97 in)
Material	Stainless steel
Finish	Black power coating
Weight	212 g (0.47 lbs)

### Ordering information

#### IIR-MNT-SLB Single L-bracket

Illuminator single L-bracket, black

Order number **IIR-MNT-SLB**

#### Represented by:

**Europe, Middle East, Africa:**  
 Bosch Security Systems B.V.  
 P.O. Box 80002  
 5600 JB Eindhoven, The Netherlands  
 Phone: + 31 40 2577 284  
 emea.securitysystems@bosch.com  
 emea.boschsecurity.com

**Germany:**  
 Bosch Sicherheitssysteme GmbH  
 Robert-Bosch-Ring 5  
 85630 Grasbrunn  
 Germany  
 www.boschsecurity.com

**North America:**  
 Bosch Security Systems, Inc.  
 130 Perinton Parkway  
 Fairport, New York, 14450, USA  
 Phone: +1 800 289 0096  
 Fax: +1 585 223 9180  
 onlinehelp@us.bosch.com  
 www.boschsecurity.us

**Asia-Pacific:**  
 Robert Bosch (SEA) Pte Ltd, Security Systems  
 11 Bishan Street 21  
 Singapore 573943  
 Phone: +65 6571 2808  
 Fax: +65 6571 2699  
 apr.securitysystems@bosch.com  
 www.boschsecurity.asia