



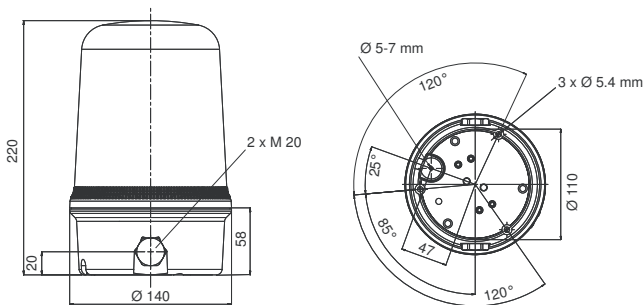
FNS-P400RTH Rotating Beacons



- ▶ Powerful halogen bulbs
- ▶ 360° light beam
- ▶ Extremely rugged and durable thanks to high-quality synthetic
- ▶ Suitable for indoor and outdoor applications
- ▶ Can be mounted in any orientation

The rotating beacons are used for an additional local alarm notification.

System Overview



Functions

Inside the beacon, a motor-driven mirror rotates around the halogen bulb with constant speed and thus, generates a blinking signal.

In the event of an alarm, the beacons are activated by the appropriate interface or functional modules of the fire panel.

Certifications and Approvals

Region	Certification
Europe	CE FNS-P400RTH

Installation/Configuration Notes

- A right-angle mounting bracket can be ordered separately for easy wall mounting

Parts Included

Quant.	Component
1	Rotating Beacon with motor and reflector, in a weatherproof housing with a red or amber lens

Technical Specifications

Electrical

Operating voltage	230 V
Current consumption	186 mA
Light output	40 W

Mechanics

Housing

• Material	Polycarbonate (PC)
• Base color	Black
• Lens color	Transparent red or amber
Light source	Halogen bulb
Dimensions	Ø 140 x 220 mm
Weight	578 g

Environmental conditions

Protection class as per EN 60529	IP 65
Permissible operating temperature	-25°C to +50°C

Special features

Rotation speed	Approx. 180 min ⁻¹
Lifespan	> 5,000 h

Ordering Information

FNS-P400RTH-Y Rotating Beacon Amber, 230 V **FNS-P400RTH-Y**
for an additional local alarm notification

FNS-P400RTH-R Rotating Beacon Red, 230 V **FNS-P400RTH-R**
for an additional local alarm notification

Accessories

Mounting Bracket for FNS-P400RTH **FNA-P400RBA-MB**
for easy wall-mounting of the FNS-P400RTH Rotating Beacon; mounting bracket material: polycarbonate.

Americas:
Bosch Security Systems, Inc.
130 Perinton Parkway
Fairport, New York, 14450, USA
Phone: +1 800 289 0096
Fax: +1 585 223 9180
security.sales@us.bosch.com
www.boschsecurity.us

Europe, Middle East, Africa:
Bosch Security Systems B.V.
P.O. Box 80002
5600 JB Eindhoven, The Netherlands
Phone: +31 40 2577 284
Fax: +31 40 2577 330
emea.securitysystems@bosch.com
www.boschsecurity.com

Asia-Pacific:
Robert Bosch (SEA) Pte Ltd, Security Systems
11 Bishan Street 21
Singapore 573943
Phone: +65 6258 5511
Fax: +65 6571 2698
apr.securitysystems@bosch.com
www.boschsecurity.com

Represented by