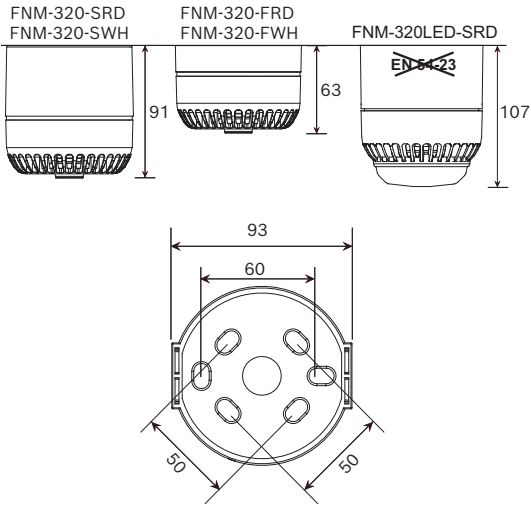
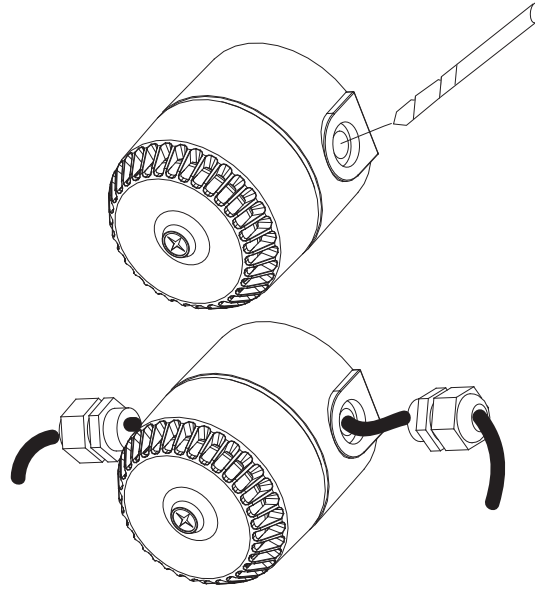


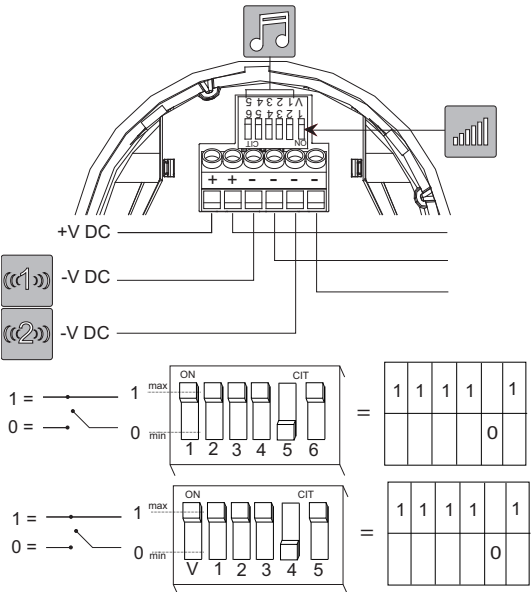
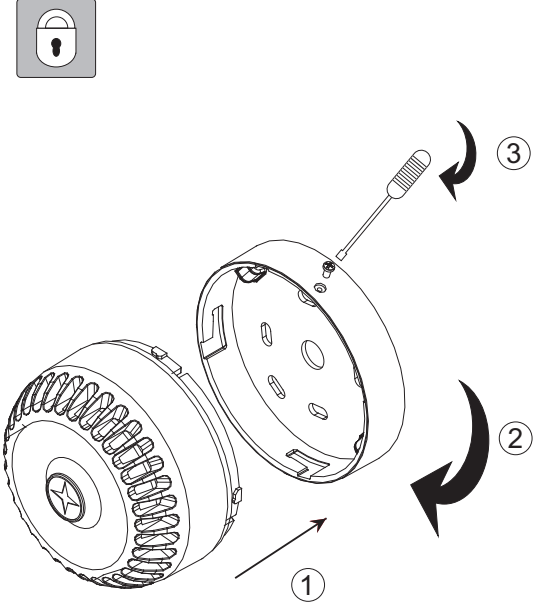
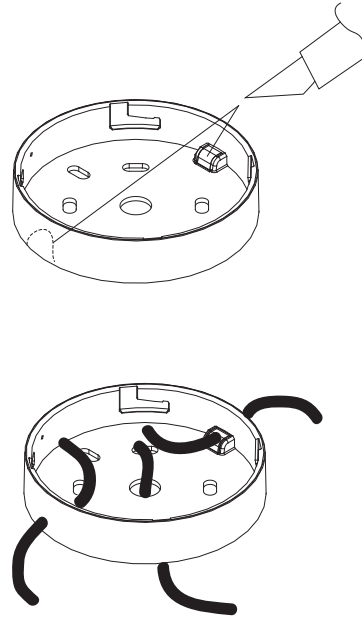
**Installation**



**FNM-320-SRD|FNM-320-SWH|FNM-320LED-SRD**



**FNM-320-FRD|FNM-320-FWH**



**Notice!**

EN 54-3 certified tones are shown in the tone tables. The sound pressure levels (SPL) are measured at 28 or 15 V DC at maximum volume and at the loudest node. All other SPL measurements are taken on axis at 1 m and are not third party verified. Certified sound measurements can be obtained from the manufacturer (F.01U.315.025).



**Hinweis!**

EN 54-3 zertifizierte Töne werden in den Tontabellen angezeigt. Die Schalldruckpegel (SPL) wurden bei 28 oder 15 VDC bei maximaler Lautstärke und am lautesten Messpunkt gemessen. Alle anderen SPL-Messungen wurden am akustischen Mittelpunkt bei 1 m vorgenommen und sind von keiner unabhängigen Stelle verifiziert. Lautstärkemessergebnisse der zertifizierten Töne können beim Hersteller angefordert werden (F.01U.315.025).



**FNM-320-SRD|FNM-320-SWH|FNM-320-FRD|  
FNM-320-FWH**

1		800 & 970Hz	2Hz (250ms - 250ms)	
2		800 & 970Hz	7Hz (7/s)	
3		800 & 970Hz	1Hz (1/s)	
4		2850Hz		
5		2400 - 2850Hz	7Hz	
6		2400 - 2850Hz	1Hz	
7		500 - 1200Hz	3s   0,5s $\leftrightarrow$   3s   0,5s $\leftrightarrow$ ...	
8		1200 - 500Hz	1Hz	
9		2400 & 2850Hz	2Hz (250ms - 250ms)	
10		970Hz	0,5Hz (1s $\leftrightarrow$   1s $\leftrightarrow$ )	
11		800 & 970Hz	1Hz (500ms - 500ms)	
12		2850Hz	0,5Hz (1s $\leftrightarrow$   1s $\leftrightarrow$ )	
13		970Hz	0,8Hz (250ms $\leftrightarrow$   1s $\leftrightarrow$ )	
14		970Hz		
15		554 & 440Hz	100ms - 400ms	
16		660Hz	3,3Hz (150ms $\leftrightarrow$   150ms $\leftrightarrow$ )	
17		660Hz	0,28Hz (1,8s $\leftrightarrow$   1,8s $\leftrightarrow$ )	
18		660Hz	0,05Hz (6,5s $\leftrightarrow$   13s $\leftrightarrow$ )	
19		660Hz		
20		554 & 440Hz	0,5Hz (1s $\leftrightarrow$   1s $\leftrightarrow$ )	
21		660Hz	1Hz (500ms - 500ms)	
22		2850Hz	4Hz (150ms $\leftrightarrow$   100ms $\leftrightarrow$ )	
23		800 - 970Hz	50Hz	
24		2400 - 2850Hz	50Hz	
25		970Hz	3x500ms   1,5s $\leftrightarrow$   3x500ms...	ISO 8201
26		800 - 970Hz	3x500ms   1,5s $\leftrightarrow$   3x500ms...	ISO 8201
27		970 & 800Hz	3x500ms   1,5s $\leftrightarrow$   3x500ms...	ISO 8201
28		800 & 970Hz	2Hz (250ms - 250ms)	
29		990 & 650Hz	2Hz (250ms - 250ms)	
30		510 & 610Hz	2Hz (250ms - 250ms)	
31		300 - 1200Hz	1Hz	
32		510 & 610Hz	1Hz (500ms - 500ms)	

**FNM-320LED-SRD**

1		800 & 970Hz	2Hz (250ms - 250ms)	
2		800 & 970Hz	7Hz (7/s)	
3		800 & 970Hz	1Hz (1/s)	
4		2850Hz		
5		2400 - 2850Hz	7Hz	
6		2400 - 2850Hz	1Hz	
7		500 - 1200Hz	3s   0,5s $\leftrightarrow$   3s   0,5s $\leftrightarrow$ ...	
8		1200 - 500Hz	1Hz	
9		2400 & 2850Hz	2Hz (250ms - 250ms)	
10		970Hz	0,5Hz (1s $\leftrightarrow$   1s $\leftrightarrow$ )	
11		800 & 970Hz	1Hz (500ms - 500ms)	
12		2850Hz	0,5Hz (1s $\leftrightarrow$   1s $\leftrightarrow$ )	
13		970Hz	0,8Hz (250ms $\leftrightarrow$   1s $\leftrightarrow$ )	
14		970Hz		
15		554 & 440Hz	100ms - 400ms	
16		660Hz	3,3Hz (150ms $\leftrightarrow$   150ms $\leftrightarrow$ )	
17		660Hz	0,28Hz (1,8s $\leftrightarrow$   1,8s $\leftrightarrow$ )	
18		660Hz	0,05Hz (6,5s $\leftrightarrow$   13s $\leftrightarrow$ )	
19		660Hz		
20		554 & 440Hz	0,5Hz (1s $\leftrightarrow$   1s $\leftrightarrow$ )	
21		660Hz	1Hz (500ms - 500ms)	
22		2850Hz	4Hz (150ms $\leftrightarrow$   100ms $\leftrightarrow$ )	
23		800 - 970Hz	50Hz	
24		2400 - 2850Hz	50Hz	
25		970Hz	3x500ms   1,5s $\leftrightarrow$   3x500ms...	ISO 8201
26		2850Hz	3x500ms   1,5s $\leftrightarrow$   3x500ms...	ISO 8201
27		4000Hz		
28		800 & 970Hz	2Hz (250ms - 250ms)	
29		990 & 650Hz	2Hz (250ms - 250ms)	
30		510 & 610Hz	2Hz (250ms - 250ms)	
31		300 - 1200Hz	1Hz	
32		4000Hz		






**FNM-320-SRD|FNM-320-SWH|FNM-320-FRD|  
FNM-320-FWH**

①	②	③	12/24VDC		EN54-3 15/28VDC dB(A)±3
			mA	dB(A)±3	
1	14	11111	6/13	95/101	*
2	14	11110	8/12	94/100	*
3	14	11101	6/12	95/102	92/95
4	14	11100	16/32	99/105	*
5	4	11011	16/32	103/109	*
6	4	11010	16/32	105/112	*
7	14	11001	6/12	97/103	93/97
8	14	11000	7/15	96/102	93/94
9	4	10111	15/31	99/105	*
10	14	10110	5/8	95/101	*
11	4	10101	6/12	95/101	*
12	4	10100	9/17	99/105	*
13	14	10011	3/5	94/101	*
14	14	10010	7/14	95/101	93/95
15	14	10001	8/17	96/102	*
16	16	10000	4/6	94/100	*
17	17	01111	4/7	95/101	*
18	18	01110	3/6	95/101	*
19	19	01101	5/10	95/101	*
20	20	01100	7/16	96/102	*
21	21	01011	4/6	94/101	*
22	14	01010	12/27	98/104	*
23	14	01001	6/12	93/100	*
24	4	01000	15/32	102/108	*
25	25	00111	4/7	95/101	*
26	26	00110	4/6	95/102	*
27	27	00101	3/6	94/101	*
28	10	00100	6/12	95/101	*
29	988Hz	00011	10/20	99/105	93/96
30	510Hz	00010	8/16	94/100	91/92
31	14	00001	10/14	98/103	*
32	510Hz	00000	8/16	95/100	*

**FNM-320LED-SRD**

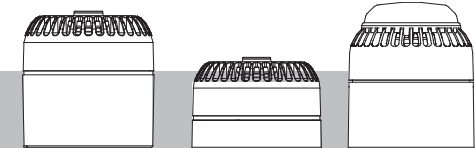
①	②	③	@20 °C		
			mA	dB(A)	EN54-3 @28VDC dB(A)
1	14	11111	19	100	*
2	14	11110	19	101	*
3	14	11101	19	101	95
4	14	11100	33	110	*
5	4	11011	31	110	*
6	4	11010	31	110	*
7	14	11001	21	98	97
8	14	11000	17	98	94
9	4	10111	31	109	*
10	14	10110	13	100	*
11	4	10101	19	100	*
12	4	10100	25	109	*
13	14	10011	9	96	*
14	14	10010	21	101	95
15	14	10001	13	93	*
16	16	10000	10	86	*
17	17	01111	13	88	*
18	18	01110	15	88	*
19	19	01101	15	89	*
20	20	01100	14	96	*
21	21	01011	11	87	*
22	14	01010	23	109	*
23	14	01001	19	101	*
24	4	01000	26	110	*
25	25	00111	15	99	*
26	26	00110	21	108	*
27	27	00101	36	83	*
28	10	00100	18	100	*
29	33	00011	22	99	96
30	35	00010	16	96	92
31	31	00001	22	96	*
32	32	00000	36	83	*

**FNM-320-SRD|FNM-320-SWH|FNM-320-FRD|  
FNM-320-FWH**

I	0 – 33 mA
U	9 – 30 VDC
U (EN 54-3)	9 – 15 VDC, 18 – 28 VDC
	0.28 – 2.5 mm <sup>2</sup>
	250 g
	Red
	Plastic (ABS)
	-25 °C – 70 °C
IEC 60529	IP65   IP65   IP54   IP54







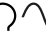
**Sounders Conventional**

FNM-320-SRD | FNM-320-SWH |  
FNM-320-FRD | FNM-320-FWH |  
FNM-320-LEDSRD



en Installation manual

**FNM-320LED-SRD**

I	0 – 36 mA
U	9 – 30 VDC
U (EN 54-3)	9 – 15 VDC, 18 – 28 VDC
	0.28 – 2.5 mm <sup>2</sup>
	300 g
	Red
	Plastic (ABS), PC
	-10 °C – 55 °C
IEC 60529	IP65
	0.50 cd
	1.0 Hz

**Bosch Sicherheitssysteme GmbH**

Robert-Bosch-Ring 5  
85630 Grasbrunn  
Germany

[www.boschsecurity.com](http://www.boschsecurity.com)

© Bosch Sicherheitssysteme GmbH, 2023

**Building solutions for a better life.**

2023-03 | 06 | F.01U.143.312 | 202303160901