

## FLEXIDOME outdoor 5100i



- ▶ Up to 4K ultra HD for highly detailed image
- ▶ Starlight camera technology with excellent low-light performance
- ▶ IVA Pro brings highly reliable deep-learning based detection of persons and vehicles to scenes ranging from sterile zones to crowded and congested
- ▶ High Dynamic Range to see every detail in both bright and dark areas of the scene

The camera is a versatile and professional surveillance camera for outdoor monitoring. It delivers exceptional image quality, starlight performance and High Dynamic Range at resolution up to 4K ultra HD for highly detailed image for demanding security and surveillance network requirements.

Built-in Intelligent Video Analytics Pro (IVA Pro) enriches full situational awareness and triggers relevant alerts.

The cameras offer a 1/2.7" or 1/2.8" sensor and HDR technology at HD 1080p, 5 MP, or 8 MP resolution that provides high performance in extreme low light environments.

The modular structure design uses a click and rotate mechanism on mounting plate or base that requires no hardware to secure the camera to housing for fast installation, including compatibility with various mounting options.

### Functions

#### H.265 high-efficiency video encoding

The camera is designed on the most efficient and powerful H.264 and H.265/HEVC encoding platform. The camera is capable of delivering high-quality and high-resolution video with very low network load. With a doubling of encoding efficiency, H.265 has become the new compression standard of choice for IP video surveillance systems.

#### Intelligent Video Analytics Pro (IVA Pro)

The camera comes with IVA Pro Buildings pre-installed and brings highly reliable deep-learning based detection and tracking of persons and vehicles to scenes ranging from sterile zones to crowded and congested. Being extremely resistant to false triggers caused by challenging environments with rain, wind (moving trees), snow, hail, and water reflections as well as shadows and bugs, it reliably detects, tracks, and classifies objects. A smart set of alarm and counter rules allows to alert you when predefined alarms are triggered, and to forensically search with high efficiency through recordings. Configuration effort is minimized and made easy by removing the need for calibration.

Optionally the camera can be licensed with IVA Pro Perimeter or IVA Pro Traffic to optimize the camera analytics for specific enterprise use-cases.

#### Two-way audio

Two-way audio allows the operator to communicate with visitors or intruders via an external audio line input and output. By using the external microphone, audio detection can be used to generate alarms to alert the security operator quicker and act more proactively.

#### DORI coverage

DORI (Detect, Observe, Recognize, Identify) is a standard system (EN-62676-4) for defining the ability of a person viewing the video to distinguish persons or objects within a covered area. The maximum distance at which a camera/lens combination can meet these criteria is shown below:

**2 MP camera with 3.2-10.5 mm lens\***

DORI	DORI definition	Distance 3.2 mm / 10.5 mm	Horizontal width
Detect	25 px/m (8 px/ft)	31 m / 138 m (102 ft / 453 ft)	77 m (252 ft)
Observe	63 px/m (19 px/ft)	12 m / 55 m (39 ft / 180 ft)	30 m (100 ft)
Recognize	125 px/m (38 px/ft)	6 m / 28 m (20 ft / 92 ft)	15 m (50 ft)
Identify	250 px/m (76 px/ft)	3 m / 14 m (10 ft / 46 ft)	8 m (25 ft)

\*The numbers in this table do not reflect IVA distances. For IVA distances, refer to the lens calculator / Bosch IP video design tool.

**5 MP camera with 3.2-10.5 mm lens\***

DORI	DORI definition	Distance 3.2 mm / 10.5 mm	Horizontal width
Detect	25 px/m (8 px/ft)	48 m / 200 m (147 ft / 656 ft)	104 m (341 ft)
Observe	63 px/m (19 px/ft)	19 m / 79 m (62 ft / 259 ft)	41 m (135 ft)
Recognize	125 px/m (38 px/ft)	10 m / 40 m (33 ft / 131 ft)	21 m (69 ft)
Identify	250 px/m (76 px/ft)	5 m / 20 m (16 ft / 66 ft)	10 m (33 ft)

\*The numbers in this table do not reflect IVA distances. For IVA distances, refer to the lens calculator / Bosch IP video design tool.

**8 MP camera with 3.2-10.5 mm lens\***

DORI	DORI definition	Distance 3.2 mm / 10.5 mm	Horizontal width
Detect	25 px/m (8 px/ft)	62 m / 275 m (203 ft / 902 ft)	154 m (505 ft)
Observe	63 px/m (19 px/ft)	25 m / 109 m (82 ft / 358 ft)	61 m (200 ft)
Recognize	125 px/m (38 px/ft)	12 m / 55 m (39 ft / 180 ft)	31 m (102 ft)
Identify	250 px/m (76 px/ft)	6 m / 28 m (20 ft / 92 ft)	15 m (49 ft)

\*The numbers in this table do not reflect IVA distances. For IVA distances, refer to the lens calculator / Bosch IP video design tool.

**Scene modes**

Multiple configurable modes are provided with the best settings for a variety of applications. In one click fully optimized image settings can be selected to suit the conditions. Different scene modes can be selected for different situations such as sodium lighting, fast moving objects, or dark environments.

**Resists rain, dust, and tampering with reliable operation across a wide temperature range**

The camera is suitable for outdoor usage. The camera can operate in a wide ambient temperature range between -40 °C up to +55 °C (-40 °F up to +131 °F).

The robust design of the camera is rated to IP66, NEMA 4X, and IK10 standards, safeguarding the camera against rain and dust while also offering protection against vandalism and tampering.

**Easy installation**

The mechanical design follows the Bosch installation philosophy by using an installation SMB and easy cable management.

Power can be supplied via Power-over-Ethernet. With this configuration, only a single cable connection is required to view, power, and control the camera. Using PoE makes installation easier and more cost effective, as cameras do not require a local power source.

For trouble-free network cabling, the camera supports Auto-MDIX which allows the use of straight or cross-over cables.

The AVF (Automatic Varifocal) feature makes it easy for installers to adjust zoom position without opening the camera. The automatic motorized zoom/focus adjustment with 1:1 pixel mapping ensures the camera is always accurately focused.

**Data security**

Special measures have been put in place to ensure the highest level of security for device access and data transport. The three-level password protection with security recommendations allows users to customize device access. Web browser access can be protected using HTTPS and firmware updates can also be protected with authenticated secure uploads. The cameras have built-in Secure Element (SE) hardware providing main Trusted Platform Module (TPM) functionality to ensure the highest levels of data security and privacy protection. Together with Public Key Infrastructure (PKI) support, superior protection from malicious attacks is guaranteed. With future firmware updates, it will also support RSA encryption key lengths of up to 4096 bits, ensuring data safety beyond 2030. 802.1x network authentication with EAP/TLS will also be added. The advanced certificate handling offers:

- Bosch origin device certificate pre-installed

- Self-signed unique certificates automatically created when required
- Client and server certificates for authentication
- Client certificates for proof of authenticity
- Certificates with encrypted private keys

#### More flexibility in streaming capabilities

The camera has four independent encoder streams. Users can do the following:

- Configure each stream individually to change the video resolution and the frame rate
- Select the coding standard (H.264/H.265) for each stream
- Configure a set of eight encoder profiles for each stream

#### Edge recording

Insert a memory card into the card slot to store up to 2 TB of local alarm recording. Pre-alarm recording in RAM reduces recording bandwidth on the network, and extends the effective life of the memory card. It has advanced edge recording providing a reliable storage solution possible due to the combination of these functions:

- Industrial SD card support allows for extreme lifetime
- Health monitoring of industrial SD cards provide early service indications.

#### High Dynamic Range

The camera has High Dynamic Range. This is based on a multiple-exposure process that captures more details in the highlights and in the shadows even in the same scene. The result is that you can easily distinguish objects and features, for example, faces with bright backlight.

The actual dynamic range of the camera is measured using Opto-Electronic Conversion Function (OECF) analysis according to IEC 62676 Part 5. This method is used to provide standardized measurements, which can be used to compare different cameras.

#### Automatic image rotation

The integrated gyro/accelerometer sensor automatically corrects the image orientation in steps of 90° if the camera is mounted at right angles or upside down. The sensor image can also be rotated manually through steps of 90°.

To efficiently capture details in long hallways without loss of resolution, mount the camera at right angles. The image is displayed upright at full resolution on your monitor.

#### System Integration and ONVIF conformance

The camera conforms to the ONVIF Profile S, ONVIF Profile G, ONVIF Profile T, and ONVIF Profile M specifications. For H.265 configuration, the camera supports Media Service 2, which is part of ONVIF Profile T. Compliance with these standards guarantees interoperability between network video

products regardless of manufacturer. Third-party integrators can easily access the internal feature set of the camera for integration into large projects. Visit the Bosch Integration Partner Program (IPP) website ([ipp.boschsecurity.com](http://ipp.boschsecurity.com)) for more information.

#### Modular accessories

A full line of modular accessories is available, which allows a consistent design across different cameras and a wide range of installation possibilities. Available options include wall or pipe mount, a surveillance cabinet with power, and an in-ceiling mounting kit.

#### Cloud-based services

The camera supports time-based or alarm-based JPEG posting to four different accounts. These accounts can address FTP servers or cloud-based storage. Video clips or JPEG images can also be exported to these accounts.

Alarms can be set up to trigger an e-mail or SMS notification so you are always aware of abnormal events.

#### Bosch Remote Portal

With the secure cloud infrastructure, Bosch Remote Portal, you can manage your connected Bosch devices. From the Bosch Remote Portal you can:

- Complete initial configuration of your connected Bosch devices (online or offline).
- Update firmware for single or multiple devices.
- Manage certificates.
- Monitor the health of your connected Bosch devices.

#### Project Assistant app

As the camera is equipped with a USB-C port for a wireless USB dongle (sold separately: NCA-WLAN-EU, NCA-WLAN-NA), the installer can easily perform the initial configuration wirelessly. Using a mobile device with the Bosch Project Assistant app, you can do initial set-up and lens zoom-focus to find the right scene. Simply connect the wireless USB dongle and go to the Bosch Project Assistant app, available for iOS, Windows, or Android.

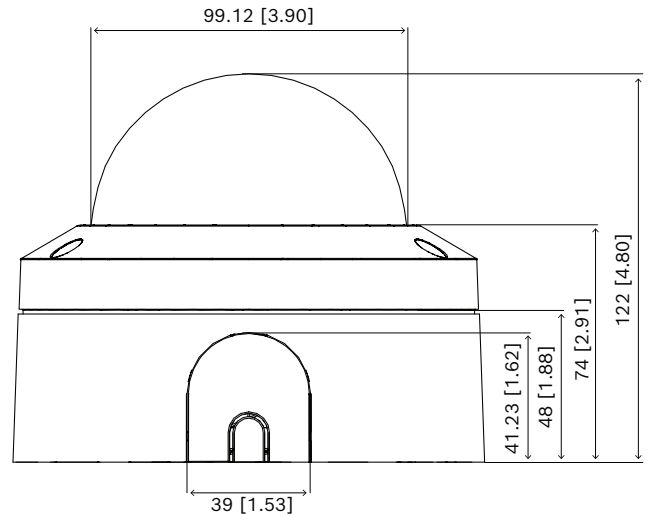
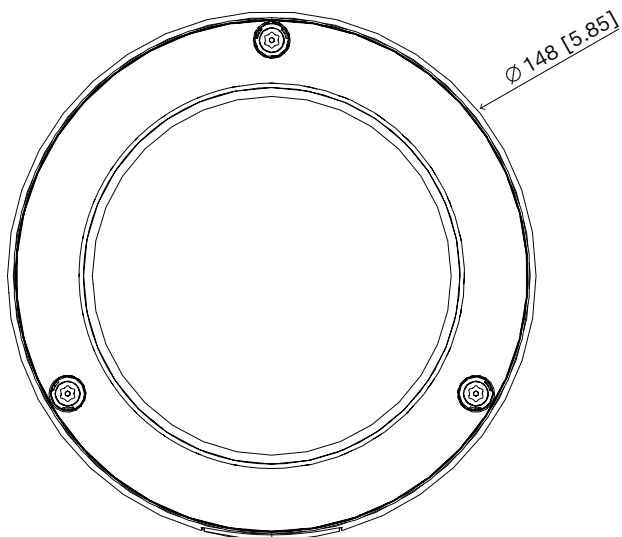
#### Regulatory information

Type	Standard
Emission	EN 55032 (Class B)
	CFR 47 FCC part 15 (Class B)
	ICES-003 (Class B)
	VCCI CISPR 32
	AS/NZS CISPR 32
Immunity	EN 50121-4
	EN 50130-4

Type	Standard
Environmental	EN 50130-5, Class IV EN IEC 63000 RoHS EU, 2011/65/EU and 2015/863/EU WEEE EU, 2012/19/EU
Safety	EN 62368-1 IEC 62368-1 UL 62368-1 EN/IEC/UL 60950-22 CAN/CSA-C22.2 No. 60950-22:17, Second Edition
Image performance	IEC 62676-5
Impact protection	EN 62262 (IK10): 2002
Ingress protection	EN 60529 (IP66) UL50E (NEMA Type 4X)
ONVIF conformance	EN 50132-5-2, EN 62676-2
Marks	CE, FCC, UL, WEEE, RCM, VCCI, UKCA, China RoHS, BIS
Compliance	NDA compliant

Region	Regulatory compliance/quality marks	
Europe	CE	
Global	IEC 62443	Industrial Cyber Security Capability
USA	UL CAP	Cybersecurity Assurance Program
Great Britain	UKCA	

**Installation/configuration notes**



Dimensions in mm (inch)

**Technical specifications**

Power	
Input voltage	Power-over-Ethernet; 24 VAC ± 10%; 12 VDC ± 10%
Power consumption typical/maximum (2 MP)	PoE: 4.8 W / 6 W; 12 VDC: 4.08 W / 5.88 W; 24 VAC: 4.07 W / 5.44 W
Power consumption typical/maximum (5 MP)	PoE: 5.2 W / 5.6 W; 12 VDC: 4.68 W / 6 W; 24 VAC: 4.49 W / 5.71 W
Power consumption typical/maximum (8 MP)	PoE: 6.4 W / 7.7 W; 12 VDC: 5.88 W / 7.08 W; 24 VAC: 5.62 W / 6.89 W
PoE input	PoE IEEE 802.3af / 802.3at Type 1, Class 3

Platform	
Common product platform	CPP14

Sensor 2 MP	
Sensor type	1/2.8-inch CMOS
Effective pixels	1920 (H) x 1080 (V)

Sensor 5 MP	
Sensor type	1/2.7-inch CMOS
Effective pixels	2688 (H) x 1944 (V)

Sensor 8 MP	
Sensor type	1/2.8-inch CMOS

**Sensor 8 MP**

Effective pixels	3864 (H) x 2192 (V)
------------------	---------------------

**Video performance - Sensitivity 2 MP**

Measured according to IEC 62676 Part 5 (1/25, F1.6)

Color	0.021 lx
-------	----------

Mono	0.004 lx
------	----------

**Video performance - Sensitivity 5 MP**

Measured according to IEC 62676 Part 5 (1/25, F1.6)

Color	0.044 lx
-------	----------

Mono	0.010 lx
------	----------

**Video performance - Sensitivity 8 MP**

Measured according to IEC 62676 Part 5 (1/25, F1.6)

Color	0.046 lx
-------	----------

Mono	0.015 lx
------	----------

**Video performance - Dynamic range 2 MP**

High Dynamic Range	144 dB WDR
--------------------	------------

Measured according to IEC 62676 Part 5	105 dB WDR
--	------------

**Video performance - Dynamic range 5 MP**

High Dynamic Range	120 dB WDR
--------------------	------------

Measured according to IEC 62676 Part 5	105 dB WDR
--	------------

**Video performance - Dynamic range 8 MP**

High Dynamic Range	120 dB WDR
--------------------	------------

Measured according to IEC 62676 Part 5	103 dB WDR
--	------------

**Video streaming**

Video compression	H.265; H.264; M-JPEG
-------------------	----------------------

Streaming	Multiple configurable streams in H.264 or H.265 and M-JPEG, configurable frame rate and bandwidth, Bosch Intelligent Streaming
-----------	--

Camera latency	2MP: <70 ms (at 1080p60) 5MP: <120 ms (at 5MP30) 8MP: <120 ms (at 8MP30)
----------------	--

**Video streaming**

	(Camera-internal latency only, achievable with settings excluding all image enhancements)
--	---

GOP structure	IP, IBP, IBBP
---------------	---------------

Frame rate	2MP: 1 to 60 fps 5MP: 1 to 30 fps 8MP: 1 to 30 fps
------------	--

Signal-to-Noise Ratio (SNR)	>55 dB
-----------------------------	--------

**Video resolution (H x V) 2 MP**

1080p HD	1920 × 1080
----------	-------------

Upright mode 1080p	1080 × 1920
--------------------	-------------

1.3 MP (16:9)	1536 × 864
---------------	------------

Upright mode 1.3 MP (16:9)	864 × 1536
----------------------------	------------

720p	1280 × 720
------	------------

Upright mode 720p	720 × 1280
-------------------	------------

SD	768 × 432
----	-----------

**Video resolution (H x V) 5 MP**

5 MP (4:3)	2592 × 1944
------------	-------------

Upright mode 5 MP	1944 × 2592
-------------------	-------------

4 MP (4:3)	2304 × 1728
------------	-------------

Upright mode 4 MP	1728 × 2304
-------------------	-------------

2.8 MP (4:3)	1920 × 1440
--------------	-------------

Upright mode 2.8 MP	1440 × 1920
---------------------	-------------

1.2 MP (4:3)	1280 × 960
--------------	------------

Upright mode 1.2 MP	960 × 1280
---------------------	------------

480p SD	640 × 480
---------	-----------

3.8 MP (16:9)	2592 × 1456
---------------	-------------

Upright mode 3.8MP	1456 × 2592
--------------------	-------------

1080p HD	1920 × 1080
----------	-------------

Upright mode 1080p	1080 × 1920
--------------------	-------------

1.3MP (16:9)	1536 × 864
--------------	------------

<b>Video resolution (H x V) 5 MP</b>	
Upright mode 1.3MP	864 × 1536
720p	1280 × 720
<b>Video resolution (H x V) 8 MP</b>	
4K UHD	3840 × 2160
Upright mode 4K UHD	2160 × 3840
6MP	3264 × 1840
Upright mode 6MP	1840 × 3264
4MP	2688 × 1612
Upright mode 4MP	1612 × 2688
2.8MP (4:3)	1920 × 1440
1080p HD	1920 × 1080
1.3 MP	1536 × 864
1.3 MP (5:4)	1280 × 1024
HD 720p	1280 × 720
SD 432p	768 × 432
<b>Video functions</b>	
Day / Night	Color, Monochrome, Auto (adjustable switch points)
Adjustable picture settings	Contrast, Saturation level and control, Brightness, Sharpness, Intelligent Defog
White Balance	2500 to 10000K, 3 automatic modes (Basic, Standard, Sodium vapor), Manual mode and Hold mode
Shutter	Automatic Electronic Shutter (AES); Fixed (1/25[30] to 1/15000) selectable; Default shutter
Backlight compensation	On / off
Electronic image stabilization (gyro-based)	On / off
Privacy Masking	Eight independent areas, fully programmable
Scene modes	Multiple default modes with scheduler
Other functions	Image mirror, Pixel counter, Video watermarking, Display stamping, Location

<b>Video functions</b>	
Camera rotation	Automatic detection with manual override (0 / 90 / 180 / 270 )
<b>Video content analysis</b>	
Analysis type	Intelligent Video Analytics Pro Buildings
Alarm rules (combinable)	Any object, Object in field, Line crossing, Enter / leave field, Loitering, Follow route, Objects stopping or starting to move, Counting, Occupancy, Condition change, Similarity search
Object filters	Duration, Size, Aspect ratio, Direction, Color, Object classes
Object classes	Available by default: Person, Vehicle Available with optional IVA Pro Pack: Bicycle, Motorcycle, Truck, Bus
Audio detection	Detection of audio to generate an alarm
Supported analytics	IVA Pro Perimeter (license); IVA Pro Traffic (license)
<b>Optical</b>	
Lens type	3.2 to 10.5 mm P-iris (IR corrected) lens F-stop: 1.6
Day / Night	Switchable IR-cut filter
Adjustment	Motorized zoom / focus
Iris control	P-iris control
Viewing angle (2 MP)	Horizontal field of view: 105° - 31° Vertical field of view: 57° - 18°
Viewing angle (5 MP)	Horizontal field of view: 96° - 29° Vertical field of view: 71° - 22°
Viewing angle (8 MP)	Horizontal field of view: 105° - 31° Vertical field of view: 57° - 18°
<b>Input/output</b>	
Audio line in	0.6 Vrms max, 10 kOhm typical
Audio line out	1.0 Vrms at 10 kOhm typical
Ethernet	RJ45

Input/output	
USB	USB 2.0 Type C, for use with wireless USB dongle for setup and commissioning (sold separately)
Audio streaming	
Standard	G.711, 8 kHz sampling rate L16, 16 kHz sampling rate AAC-LC, 48 kbps at 16 kHz sampling rate AAC-LC, 80 kbps at 16 kHz sampling rate
Signal-to-Noise Ratio	>50 dB
Audio Streaming	Full-duplex / half duplex
Local storage	
Internal RAM	5 s pre-alarm recording
Memory card slot	Supports up to 32 GB microSDHC / 2 TB microSDXC card. (A memory card of Class 6 or higher is recommended for HD recording)
Industrial SD cards	Extreme lifetime and health monitoring support (if supported by the SD card) that provides early service indication
Recording	Continuous recording, ring recording, alarm / events / schedule recording
Data security	
Crypto coprocessor (TPM)	AES/CBC 256 bit, RSA 4096 bit
PKI	X.509 certificates
End-to-end encryption	Full end-to-end with supported VMS
Encryption	TLS 1.2; AES 256; AES 128; TLS 1.3
Local storage encryption	XTS-AES
Video authentication	checksum, MD5, SHA-1, SHA-256
Firmware protection	Signed firmware, secure boot
Network	
Protocols	IPv4, IPv6, UDP, TCP, HTTP, HTTPS, RTP/RTCP, IGMP V2/V3, ICMP, ICMPv6, RTSP, FTP, ARP, DHCP, APIPA (Auto-IP, link local address), NTP (SNTP), SNMP (V1, V3, MIB-II), 802.1x, DNS, DNSv6, DDNS (DynDNS.org, selfHOST.de, no-ip.com), SMTP, iSCSI, UPnP (SSDP), Diff-Serv (QoS), LLDP, SOAP, CHAP, digest authentication

Network	
Encryption	TLS1.0/1.2, AES128, AES256
Ethernet	10/100 Base-T, auto-sensing, half / full duplex
Connectivity	Auto-MDIX
Interoperability	ONVIF Profile S; ONVIF Profile G; ONVIF Profile T; ONVIF Profile M
Mechanical	
3-axis adjustment (pan / tilt / rotation)	355° / 85° / 350°
Dimensions (Ø x H)	148 x 122 mm (5.83 x 4.8 in.)
Weight (approx.)	1130 g (2.49 lb)
Color	RAL 9003, RAL 9017
Gyrosensor	Yes
Bubble material	Polycarbonate, clear with anti-scratch coating
Material	Aluminum with dehumidifying membrane and waterproof connection area
Mounting	Cable box included for surface mount, 4-inch square junction box, single and double gang box, 1/4-inch 20 UNC screw thread
Conduit	3/4-inch NPT(M25) and 1/2 -inch NPT (M20) conduit side entry
Environmental	
Operating temperature	-40 °C to +55 °C (-40 °F to +131 °F) for continuous operation Up to +74 °C (+165 °F) according to NEMA TS2-2003 (R2008), para 2.1.5.1 using fig. 2.2.7.3~2.2.7.7 test profile
Cold start temperature	-20 °C (-4 °F)
Storage temperature	-30 °C to +70 °C (-22 °F to +158 °F)
Humidity	5% to 93% RH non condensing 5% to 100% RH condensing
Storage humidity	Up to 98% RH
Impact protection	IK10
Ingress protection	IP66 and NEMA Type 4X
Sustainability	PVC-free
Country of origin	Thailand

## Ordering information

**NDE-5702-A Fixed dome 2MP HDR 3.2-10.5mm IP66**  
Professional IP fixed dome camera for outdoor 60 fps surveillance with H.264/H.265 and IVA Pro Buildings, 2 MP, IP66, IK10  
NDAA compliant  
Order number **NDE-5702-A**

**NDE-5703-A Fixed dome 5MP HDR 3.2-10.5mm IP66**  
Professional IP fixed dome camera for outdoor 30 fps surveillance with H.264/H.265 and IVA Pro Buildings, 5 MP, IP66, IK10  
NDAA compliant  
Order number **NDE-5703-A**

**NDE-5704-A Fixed dome 8MP HDR 3.2-10.5mm IP66**  
Professional IP fixed dome camera for outdoor 30 fps surveillance with H.264/H.265 and IVA Pro Buildings, 8 MP, IP66, IK10  
NDAA compliant  
Order number **NDE-5704-A**

## Accessories

**NDA-5070-IC In-ceiling mount kit**  
In-ceiling mount kit for FLEXIDOME indoor 5100i, FLEXIDOME indoor 5100i IR, FLEXIDOME outdoor 5100i, and FLEXIDOME outdoor 5100i IR  
Order number **NDA-5070-IC**

**NDA-5070-PLEN In-ceiling plenum kit, 148mm**  
Plenum-rated in-ceiling mount kit for FLEXIDOME indoor 5100i, FLEXIDOME indoor 5100i IR, FLEXIDOME outdoor 5100i, and FLEXIDOME outdoor 5100i IR  
Order number **NDA-5070-PLEN**

**NDA-5070-PIPW Pendant interface plate with weather cap**  
Pendant interface plate including weather protector for FLEXIDOME outdoor 5100i and FLEXIDOME outdoor 5100i IR  
Order number **NDA-5070-PIPW**

**NDA-5070-LWMT L shape wall mount for FLEXIDOME 5100i**  
L-shaped wall mount for FLEXIDOME indoor 5100i, FLEXIDOME indoor 5100i IR, FLEXIDOME outdoor 5100i, FLEXIDOME outdoor 5100i IR, and FLEXIDOME IP 3000i IR  
Order number **NDA-5070-LWMT**

**NDA-5070-PIP Pendant interface plate NDE-570\***  
Pendant interface plate for FLEXIDOME outdoor 5100i, and FLEXIDOME outdoor 5100i IR  
Order number **NDA-5070-PIP**

**NDA-5070-PC Paintable cover, FLEXIDOME 5100i, 4pcs**  
Paintable cover (4 pieces) for FLEXIDOME 5100i and FLEXIDOME 5100i IR  
Order number **NDA-5070-PC**

**NDA-5070-CBL Bubble, clear for FLEXIDOME 5100i**  
Clear replacement bubble for FLEXIDOME indoor 5100i and FLEXIDOME outdoor 5100i  
Order number **NDA-5070-CBL**

**NDA-5070-TBL Bubble, tinted for FLEXIDOME 5100i**  
Tinted bubble for FLEXIDOME indoor 5100i and FLEXIDOME outdoor 5100i  
Order number **NDA-5070-TBL**

**NDA-U-CBB Conduit back box, 148mm**  
Outdoor conduit back box, 148mm, IP66 rated  
Order number **NDA-U-CBB**

**NDA-U-CMT Corner mount adapter**  
Universal corner mount, white  
Order number **NDA-U-CMT**

**NDA-U-PMAS Pole mount adapter small**  
Pole mount adapter small  
Universal pole mount adapter, white; small.  
Order number **NDA-U-PMAS**

**NDA-U-PMAL Pole mount adapter large**  
Universal pole mount adapter, white; large  
Order number **NDA-U-PMAL**

**NDA-U-PSMB Pendant wall/ceiling mount SMB**  
Surface mount box (SMB) for wall mount or pipe mount.  
Order number **NDA-U-PSMB**

**NDA-U-WMT Pendant wall mount**  
Universal wall mount for dome cameras, white  
Order number **NDA-U-WMT**

**NDA-U-WMTG Pendant wall mount, gang box**  
Universal wall mount, compatible with gang box installation for fixed dome cameras only, white  
Order number **NDA-U-WMTG**

**NDA-U-PMT Pendant pipe mount, 12" (31cm)**  
Universal pipe mount for dome cameras, 31 cm, white  
Order number **NDA-U-PMT**

**NDA-U-PMTE Pendant pipe extension, 20" (50cm)**  
Extension for universal pipe mount, 50 cm, white  
Order number **NDA-U-PMTE**

**NDA-U-PMTG Pendant pipe mount, gang box**  
Universal pipe mount, compatible with gang box installation for fixed dome cameras only, white  
Order number **NDA-U-PMTG**

**NDA-U-PMTS Pendant pipe mount, 4" (11 cm)**  
Universal pendant pipe mount for dome cameras, 11 cm (4"), white  
Order number **NDA-U-PMTS**

**NDA-U-RMT Pendant parapet mount**  
Universal roof mount for dome cameras, white, for outdoor usage  
Order number **NDA-U-RMT**

**NDA-U-PA0 Surveillance cabinet 24VAC**  
Surveillance cabinet, 24 VAC input, 24 VAC output, IP66  
Order number **NDA-U-PA0**

**NDA-U-PA1 Surveillance cabinet 120VAC**  
Surveillance cabinet, 100 - 120 VAC 50/60 Hz input, 24 VAC output, IP66  
Order number **NDA-U-PA1**

**NDA-U-PA2 Surveillance cabinet 230VAC**  
Surveillance cabinet, 230 VAC input, 24 VAC output, IP66  
Order number **NDA-U-PA2**



**NPD-3001-WAP Portable installation tool**

Bosch camera portable and wireless installation tool  
Order number **NPD-3001-WAP**

**NPD-5001-POE Midspan, 15W, single port, AC in**

Power-over-Ethernet midspan injector for use with PoE enabled cameras; 15.4 W, 1-port  
Weight: 200 g (0.44 lb)  
Order number **NPD-5001-POE**

**NPD-5004-POE Midspan, 4 port x 15W, AC in**

Power-over-Ethernet midspan injector for use with PoE enabled cameras; 15.4 W, 4-ports  
Weight: 620 g (1.4 lb)  
Order number **NPD-5004-POE**

**MSD-064G IP SECURITY MICROSD CARD 64GB**

64 GB industrial microSD card with health status monitoring  
Order number **MSD-064G**

**MSD-128G IP SECURITY MICROSD CARD 128GB**

128 GB industrial microSD card with health status monitoring  
Order number **MSD-128G**

**MSD-256G IP SECURITY MICROSD CARD 256GB**

256 GB industrial microSD card with health status monitoring  
Order number **MSD-256G**

**MNT-ICP-FDC Drop ceiling support kit for FLEXIDOME**

Suspension ceiling support kit for FLEXIDOME IP 2000/4000/5000/5100i/7000 (except RD series) and panoramic 5000/7000 series cameras  
Order number **MNT-ICP-FDC**

**NCA-WLAN-EU Wireless installation dongle EU**

Wireless installation dongle for wireless commissioning  
Order number **NCA-WLAN-EU**

**NCA-WLAN-NA Wireless installation dongle NA**

Wireless installation dongle for wireless commissioning for North America  
Order number **NCA-WLAN-NA**

**NDA-5070-COV Conduit cover for NDE-570\*, 50pcs**

Conduit cover without knockout for FLEXIDOME outdoor 5100i and FLEXIDOME outdoor 5100i IR  
Order number **NDA-5070-COV**

**Software Options****MVC-IVA-PER IVA Pro Perimeter**

Video analytics software for mission-critical perimeter security.  
Order number **MVC-IVA-PER**

**MVC-IVA-TRA IVA Pro Traffic**

Video analytics software based on deep neural network technology for traffic monitoring and Automatic Incident Detection.  
Order number **MVC-IVA-TRA**

**Represented by:**

**Europe, Middle East, Africa:**  
Bosch Security Systems B.V.  
P.O. Box 80002  
5600 JB Eindhoven, The Netherlands  
[www.boschsecurity.com/xc/en/contact/](http://www.boschsecurity.com/xc/en/contact/)  
[www.boschsecurity.com](http://www.boschsecurity.com)

**Germany:**  
Bosch Sicherheitssysteme GmbH  
Robert-Bosch-Platz 1  
D-70839 Gerlingen  
[www.boschsecurity.com](http://www.boschsecurity.com)

**North America:**  
Bosch Security Systems, LLC  
130 Perinton Parkway  
Fairport, New York, 14450, USA  
[www.boschsecurity.com](http://www.boschsecurity.com)

**Asia-Pacific:**  
Robert Bosch (SEA) Pte Ltd, Security Systems  
11 Bishan Street 21  
Singapore 573943  
[www.boschsecurity.com/xc/en/contact/](http://www.boschsecurity.com/xc/en/contact/)  
[www.boschsecurity.com](http://www.boschsecurity.com)