

FLEXIDOME outdoor 3100i IR



The FLEXIDOME outdoor 3100i IR is a versatile camera for general indoor surveillance monitoring. With up to 5MP resolution, along with an integrated varifocal lens, it delivers a sharp and detailed image with a flexible field of view. For scenes where ambient lighting is not always possible, the camera leverages its added IR functionality.

The device features built-in IVA Pro Buildings, bringing highly reliable deep learning-based detection which only triggers relevant alarms. The device is also secured with TPM (Trusted Platform Module) functionality, ensuring safe storage of all certificates and keys needed for authentication and encryption.

The camera features an IK10 and IP66 impact and ingress protection rating, ensuring protection against vandalism and weather conditions. An extensive range of compatible accessories enables various mounting options.

Functions

High Dynamic Range

The camera has High Dynamic Range. This is based on a multiple-exposure process that captures more details in the highlights and in the shadows even in the same scene. The result is that you can easily distinguish objects and features, for example, faces with bright backlight.



- ▶ Up to 5 MP for highly detailed images
- ▶ IVA Pro Buildings brings reliable deep-learning based detection of persons and vehicles
- ▶ High Dynamic Range (HDR) to see every detail in both bright and dark areas of the scene
- ▶ Built-in Secure Element with Trusted Platform Module (TPM) to ensure the highest level of security for device access and data transport
- ▶ Built-in IR illuminator with up to 30 m (98 ft) viewing distance

Intelligent Video Analytics Pro (IVA Pro Buildings)

The camera comes with the IVA Pro Buildings pre-installed and brings reliable deep-learning based detection and tracking of persons and vehicles. Being resistant to false triggers caused by challenging environments with rain, wind (moving trees), snow, hail, and water reflections as well as shadows and bugs, it detects, tracks, and classifies objects.

A smart set of alarm and counter rules alerts you when predefined alarms are triggered, and enables forensic search with high efficiency through recordings. Configuration effort is minimized and made easy by removing the need for calibration.

Intelligent streaming

Smart encoding capabilities, utilizing video analytics, reduce bandwidth consumption to extremely low levels. Only relevant information in the scene, such as motion or objects found through analytics, needs to be encoded. The camera is capable of triple streaming, allowing it to deliver independent and configurable streams for live viewing, recording, or remote monitoring via constrained bandwidths. Each of these streams can be adapted independently to deliver high-quality video, perfectly tailored to purpose, while reducing bit rate by up to 90% compared to a standard camera.

Modular accessories

A full line of modular accessories is available, which allows a consistent design across different cameras and a wide range of installation possibilities. Available options include wall or pipe mount, an SMB with 4S and conduit support, and a compact L shape wall mount.

Edge recording

Insert a memory card into the card slot to store up to 2 TB of local alarm recording. Pre-alarm recording in RAM reduces recording bandwidth on the network, and extends the effective life of the memory card. It has advanced edge recording providing a reliable storage solution possible due to the combination of these functions:

- Industrial SD card support allows for extreme lifetime
- Health monitoring of industrial SD cards provide early service indications.

DORI coverage

DORI (Detect, Observe, Recognize, Identify) is a standard system (EN-62676-4) for defining the ability of a person viewing the video to distinguish persons or objects within a covered area. The maximum distance at which a camera/lens combination can meet these criteria is shown below:

1080p camera with 3.3 mm to 10.2 mm lens

DORI	DORI definition	Distance 3.3 mm/10.2 m	Horizontal width
Detect	25 px/m (8 px/ft)	29 m/138 m (95 ft/451 ft)	77 m (252 ft)
Observe	63 px/m (19 px/ft)	12 m/55 m (38 ft/179 ft)	31 m (100 ft)
Recognize	125 px/m (38 px/ft)	6 m/28 m (19 ft/90 ft)	15 m (50 ft)
Identify	250 px/m (76 px/ft)	3 m/14 m (10 ft/45 ft)	8 m (25 ft)

5MP camera with 3.3 mm to 10.2 mm lens

DORI	DORI definition	Distance 3.3 mm to 10.2 mm	Horizontal width
Detect	25 px/m (8 px/ft)	42 m/193 m (139 ft/633 ft)	104 m (340 ft)
Observe	63 px/m (19 px/ft)	17 m/77 m (55 ft/251 ft)	41 m (135 ft)
Recognize	125 px/m (38 px/ft)	9 m/39 m (28 ft/127 ft)	21 m (68 ft)

DORI	DORI definition	Distance 3.3 mm to 10.2 mm	Horizontal width
Identify	250 px/m (76 px/ft)	4 m/19 m (14 ft/63 ft)	10 m (34 ft)

Easy installation

Power for the camera can be supplied via a Power-over-Ethernet compliant network cable connection. With this configuration, only a single cable connection is required to view, power, and control the camera. Using PoE makes installation easier and more cost-effective, as cameras do not require a local power source.

Data security

Special measures have been put in place to ensure the highest level of security for device access and data transport. The three-level password protection with security recommendations allows users to customize device access. Web browser access can be protected using HTTPS and firmware updates can also be protected with authenticated secure uploads. The cameras have built-in Secure Element (SE) hardware providing main Trusted Platform Module (TPM) functionality to ensure the highest levels of data security and privacy protection. Together with Public Key Infrastructure (PKI) support, superior protection from malicious attacks is guaranteed. The cameras also support RSA encryption key lengths of up to 4096 bits, ensuring data safety beyond 2030, as well as 802.1x network authentication with EAP/TLS. The advanced certificate handling offers:

- Bosch origin device certificate pre-installed
- Self-signed unique certificates automatically created when required
- Client and server certificates for authentication
- Client certificates for proof of authenticity
- Certificates with encrypted private keys

Bosch Remote Portal

With the secure cloud infrastructure, Remote Portal, you can manage your connected Bosch devices. From the Remote Portal you can:

- Complete initial configuration of your connected Bosch devices (online or offline).
- Update firmware for single or multiple devices.
- Manage certificates.
- Monitor the health of your connected Bosch devices.

System integration and ONVIF conformance

The camera conforms to the ONVIF Profile S, ONVIF Profile G, ONVIF Profile M, and ONVIF Profile T specifications. For H.265 configuration, the camera supports Media Service 2, which is part of ONVIF Profile T. Compliance with these standards guarantees interoperability between network video products regardless of manufacturer.

Third-party integrators can easily access the internal feature set of the camera for integration into large projects. Visit the Bosch Integration Partner Program (IPP) website (ipp.boschsecurity.com) for more information.

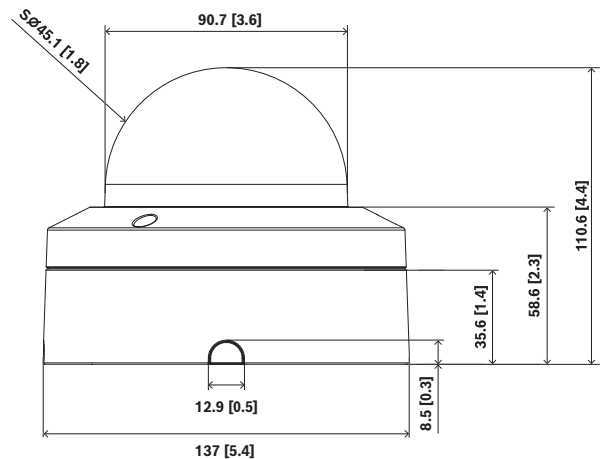
Regulatory information

Standard	Type
Emission	EN 55032 (Class A) CFR 47 FCC part 15 (Class A) VCCI (Class A) AS/NZS CISPR32 (Class A)
Immunity	EN 55035 EN IEC 61000-6-1 EN IEC 61000-6-2
Environmental	IEC 60068-2-1 IEC 60068-2-2 IEC 60068-2-6 IEC 60068-2-14 IEC 60068-2-27 EN IEC 63000: 2018 RoHS EU, 2011/65/EU and 2015/863/EU WEEE EU, 2012/19/EU Packaging EU, 94/62/EU N2580-1 (Bosch standard) N33.6 (Bosch standard)
Safety	EN IEC 62368-1 IEC 62368-1 UL 62368-1 IEC 62471 EN/IEC/UL 60950-22
Ingress protection	EN 60529 (IP66)
Image performance	IEC 62676-5
Color representation	ITU-R BT.709-6
ONVIF conformance	EN 50132-5-2, EN 62676-2
IR lighting	IEC 62471
Impact protection	EN 62262 (IK10): 2002
Marks	CE, FCC, UL, WEEE, RCM, VCCI, UKCA, BIS, KCC, CMIM

Standard	Type
Compliance	NDA compliant

Region	Regulatory compliance/quality marks
Europe	CE
Global	IEC 62443 Industrial Cyber Security Capability
USA	UL CAP Cybersecurity Assurance Program
Great Britain	UKCA

Installation/configuration notes



Dimensions in mm (inch)

Technical specifications

Electrical

PoE input	PoE IEEE 802.3af / 802.3at Type 1, Class 3
Power consumption PoE (W) (typical – maximum)	2 MP: 4.2 W - 7.6 W 5 MP: 4.5 W - 7.9 W

Sensor

	2MP
Total sensor pixels	2 MP approx.
Sensor type	1/2.8 inch CMOS
Effective pixels (H x V)	1,920 x 1,080
	5MP
Total sensor pixels	5 MP approx.
Sensor type	1/2.7 inch CMOS

	5MP
Effective pixels (H x V)	2,592 x 1,944
Sensitivity	
	2MP
Color (lx) (sensitivity measured according to IEC 62676 Part 5)	0.06 lx
Monochrome (lx) (sensitivity measured according to IEC 62676 Part 5)	0.0160 lx
Minimum illumination with IR (lx) (sensitivity measured according to IEC 62676 Part 5)	0 lx
	5MP
Color (lx) (sensitivity measured according to IEC 62676 Part 5)	0.14 lx
Monochrome (lx) (sensitivity measured according to IEC 62676 Part 5)	0.03 lx
Minimum illumination with IR (lx) (sensitivity measured according to IEC 62676 Part 5)	0 lx
Dynamic range	
High Dynamic Range (HDR) (dB)	120 dB
Optical	
	2MP
Lens focal length (mm)	3.3 mm – 10.2 mm
Lens aperture (/F)	1.6 /F – 3.29 /F
Iris control	DC-iris
IR corrected	Yes
Day / Night	Switchable IR-cut filter
Zoom/focus control	Motorized
Horizontal field of view (°)	106° – 31.2°
Vertical field of view (°)	55.2° – 17.5°
	5MP
Lens focal length (mm)	3.3 mm – 10.2 mm
Lens aperture (/F)	1.6 /F – 3.29 /F
Iris control	DC-iris

	5MP
IR corrected	Yes
Day / Night	Switchable IR-cut filter
Zoom/focus control	Motorized
Horizontal field of view (°)	101.4° – 30.1°
Vertical field of view (°)	69.6° – 21.8°

Video functions

Day/night modes	Auto (adjustable switch points); Color; Monochrome
Camera functionality	Mirror image; Rotation 90°; Rotation 180°; Rotation 270° including upright mode; Backlight compensation (BLC); Sharpness enhancement; Intelligent defog; Pixel counter; Saturation; Brightness; Video watermarking; Display stamping; Location
White balance (K)	2,000 K – 10,000 K
White balance modes	Basic; Standard; Manual mode; Hold mode; Sodium lamp auto
Shutter modes	Automatic Electronic Shutter (AES); 1/15,000 max; Default shutter; 1/25 [30] min
Number of privacy masks	8

Video streaming

Video compression	H.264 (ISO/IEC 14496-10); M-JPEG; H.265/HEVC
Streaming	Multiple configurable streams in H.265; H.264 and M-JPEG; Configurable framerate and bandwidth; Bosch Intelligent Streaming
Camera processing latency	<120ms
GOP structure	IP
Frame rate (fps)	1 fps – 30 fps
Video signal-to-noise ratio (dB)	>55 dB

Video resolution (H x V)	5MP (4:3), 2592 x 1944, to 0.1MP (4:3), 320x240 3.8MP (16:9), 2592 x 1456 to 0.1MP (16:9), 512 x 288 HD 1080p (16:9), 1920 x 1080 to 0.1MP (16:9), 512 x 288
--------------------------	--

Video content analysis

Analysis type	Intelligent Video Analytics Pro: IVA Pro Buildings
Alarm triggers	Any object; Object in field; Line crossing; Enter / leave field; Loitering; Follow route; Counting; Occupancy; Condition change; Similarity search; Objects stopping or starting to move
Object classes	Person; Vehicle
Object filters	Duration; Size; Aspect ratio; Direction; Color
Tracking modes	Base tracking (2D)
Number of possible alarm rules (simultaneously)	16
Additional functionalities	Tamper detection

Night vision

IR function	On; Off; Auto
Built-in IR (m)	30 m
Built-in IR (ft)	98 ft
IR intensity	Manually adjustable
Wavelength (nm)	850 nm

Inputs and outputs

Ethernet	Shielded RJ45
Analog video output	CVBS: 1.0 Vp-p/75ohm composite, 720 x 480 (NTSC), 720 x 576 (PAL) for installation

Storage

Internal storage	5-s-pre-alarm-recording
Memory card slot	Micro SDHC; Micro SDXC; Micro SD up to 2 TB
Industrial SD cards	Extreme lifetime and health monitoring support that provides early service indication
Recording mode	Continuous (ring); Scheduled; Alarm; Event

Data security

Secure element	RSA 4096 bit; AES/CBC 256 bit
PKI	X.509 certificates
End-to-end encryption	Full end-to-end with supported VMS
Encryption	TLS 1.2; AES 256; AES 128; TLS 1.3
Local storage encryption	XTS-AES
Video authentication	MD5; SHA-1; SHA-256; Checksum
Firmware protection	Signed firmware; Secure boot

Platform

Common Product Platform	CPP14.3
Memory (MB)	2 MP variants: 1024 MB RAM, 8192 MB Flash 5 MP variants: 2048 MB RAM, 8192 MB Flash

Network

Ethernet type	10/100BASE-T
---------------	--------------

System integration

Protocols / standards	IPv4; IPv6; UDP; TCP; HTTP; HTTPS; RTP/RTCP; IGMP V2/V3; ICMP; ICMPv6; RTSP; FTP; ARP; DHCP; APIPA (Auto-IP, link local address); NTP (SNTP); SNMP (V1, MIBII); SNMP (V3, MIBII); DNS; DNSv6;
-----------------------	---

	DDNS (DynDNS.org, selfHOST.de, no-ip.com); SMTP; iSCSI; UPnP (SSDP); DiffServ (QoS); LLDP; SOAP; CHAP; Digest authentication
Conformity	ONVIF Profile S; ONVIF Profile G; ONVIF Profile T; Auto-MDIX; ONVIF Profile M

Mechanical

Pan range (°)	0° - 355°
Tilt range (°)	0° - 85°
Roll range (°)	0° - 355°
Dimensions (Ø x H) (mm)	137 mm x 111 mm
Dimensions (Ø x H) (in)	5.39 in x 4.37 in
Weight (g)	789.50 g
Weight (lb)	1.74 lb
Color	White
Color (RAL)	RAL 9003 Signal white
Bubble material	Clear polycarbonate
Coating type	Clear with anti-scratch coating
Material	Aluminum housing
Material finish	Dehumidifying membrane and waterproof connection area
Mounting type	Surface-mounted

Environmental

Operating temperature (°C)	-30 °C - 50 °C
Operating temperature (°F)	-22 °F - 122 °F
Cold start temperature (°C)	-20 °C
Cold start temperature (°F)	-4 °F
Storage temperature (°C)	-50 °C - 70 °C
Storage temperature (°F)	-58 °F - 158 °F

Operating relative humidity, non-condensing (%)	5% - 95%
Operating relative humidity, condensing (%)	5% - 100%
Storage relative humidity (%)	5% - 95%
Impact protection	IK10
IP rating	IP66
Sustainability	PVC free
Country of origin	Thailand

Ordering information

NDE-3702-AL Fixed dome 2MP 3.3-10.2mm IP66 IK10 IR

Fixed dome camera for outdoor 30 fps surveillance; 2MP resolution; IVA Pro Buildings; 3.3-10.2 mm lens; IP66; IK10; IR; NDAA compliant
Order number **NDE-3702-AL**

NDE-3703-AL Fixed dome 5MP 3.3-10.2mm IP66 IK10 IR

Fixed dome camera for outdoor 30 fps surveillance; 5MP resolution; IVA Pro Buildings; 3.3-10.2 mm lens; IP66; IK10; IR; NDAA compliant
Order number **NDE-3703-AL**

NDE-3703-AL-IO Dome 5MP 3.3-10.2mm IP66 IK10 IR I/O

Fixed dome camera for outdoor 30 fps surveillance; 5MP resolution; IVA Pro Buildings; 3.3-10.2 mm lens; IP66; IK10; IR; I/O; 24VAC; NDAA compliant
Order number **NDE-3703-AL-IO**

Accessories

NDA-3083-TBLE Bubble, tinted, FD3100i outdoor

Tinted bubble for FLEXIDOME outdoor 3100i IR cameras
Order number **NDA-3083-TBLE**

NDA-3083-SMB SMB with 4S and conduit support, 137mm

Surface mount box for FLEXIDOME indoor 3100i, FLEXIDOME indoor 3100i IR and FLEXIDOME outdoor 3100i IR cameras with 4S and conduit support, 137 mm
Order number **NDA-3083-SMB**

NDA-3083-PLEN In-ceiling plenum kit for FLEXIDOME 3100

Plenum-rated in-ceiling mount kit for FLEXIDOME 3100i
Order number **NDA-3083-PLEN**

NDA-3083-LWMT L-shape wall mount for FLEXIDOME 3100i

L-shaped wall mount support for 4S and gangbox for FLEXIDOME indoor 3100i, FLEXIDOME indoor 3100i IR, FLEXIDOME outdoor 3100i IR, FLEXIDOME micro 3100i indoor, FLEXIDOME micro 3100i outdoor, FLEXIDOME indoor 5100i, FLEXIDOME indoor 5100i IR, FLEXIDOME outdoor 5100i, FLEXIDOME outdoor 5100i IR
Order number **NDA-3083-LWMT**

NDA-3083-PIP Pendant interface plate FD 3100i

Pendant interface plate for FLEXIDOME indoor 3100i, FLEXIDOME indoor 3100i IR and FLEXIDOME outdoor 3100i IR cameras
Order number **NDA-3083-PIP**

NDA-MCBNC-01M Analog cable, BNC connector

0.1 m (0.3 ft) analog cable to BNC (female) for connecting a camera to a coaxial cable
Order number **NDA-MCBNC-01M**

NDA-U-WMT Pendant wall mount

Universal wall mount for dome cameras, white
Order number **NDA-U-WMT**

NDA-U-WMTG Pendant wall mount, gang box

Universal wall mount, compatible with gang box installation for fixed dome cameras only, white
Order number **NDA-U-WMTG**

NDA-U-PMTE Pendant pipe extension, 20" (50cm)

Extension for universal pipe mount, 50 cm, white
Order number **NDA-U-PMTE**

NDA-U-PMTG Pendant pipe mount, gang box

Universal pipe mount, compatible with gang box installation for fixed dome cameras only, white
Order number **NDA-U-PMTG**

NDA-U-PMTS Pendant pipe mount, 4" (11 cm)

Universal pendant pipe mount for dome cameras, 11 cm (4"), white
Order number **NDA-U-PMTS**

NDA-U-PMAS Pole mount adapter small

Pole mount adapter small
Universal pole mount adapter, white; small.
Order number **NDA-U-PMAS**

NDA-U-PSMB Pendant wall/ceiling mount SMB

Surface mount box (SMB) for wall mount or pipe mount.
Order number **NDA-U-PSMB**

NDA-U-PMT Pendant pipe mount, 12" (31cm)

Universal pipe mount for dome cameras, 31 cm, white
Order number **NDA-U-PMT**

