

FAA-500-CB Housing for concrete ceilings

www.boschsecurity.com



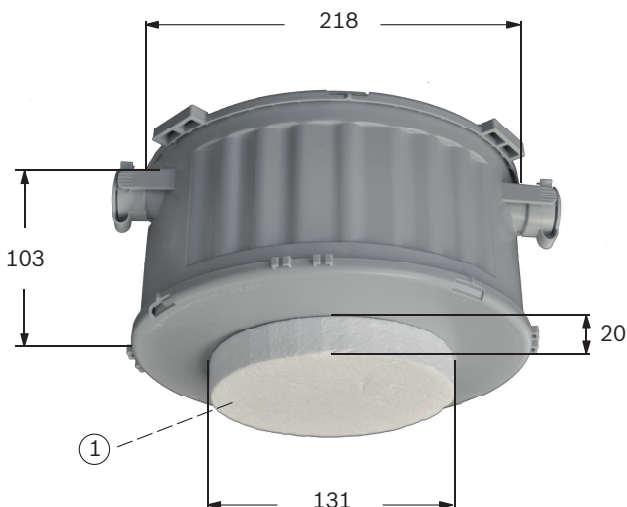
BOSCH
Invented for life



- ▶ Installation in concrete ceilings
- ▶ Easy to install

FAA-500-CB Built-in Housings are used to install 500 and 520 Series Fire Detectors in concrete ceilings. These make it possible to position cable ducts with ease and precision.

System overview



Pos.	Description
1	Front part

Parts included

Quantity	Component
1	Built-in housing

Technical specifications

Material	Plastic / polystyrene
Color	Gray
Dimensions (Ø x H)	
• Housing	218 x 103 mm
• Polystyrene component (front part)	131 x 20 mm
Weight approx.	340 g

Ordering information

FAA-500-CB Housing for concrete ceilings for installing 500 and 520 Series Fire Detectors in concrete ceilings. In addition, you need to order a FAA-500-BB Back box ceiling-mount. Order number **FAA-500-CB**