

Installation Instructions for the DS7430 Multiplex Expansion Module

1.0 General Information

The DS7430 is a Multiplex Expansion Module for use with the DS7400(Xi) Series Control/Communicator. It connects directly to the DS7400(Xi) and provides a 2-wire multiplex bus for the connection of Multiplex Sensors and Interface Modules.

- **Current Draw:** 65 mA Standby or Alarm.
- **Outputs:** DC Bus= 200 mA
Mux Bus= 75 mA

2.0 Installation



Failure to follow the mounting instructions in this manual may result in damage to the DS7400(Xi) Control Panel.



The DS7430 and DS7400(Xi) contain static sensitive components and must be handled with care. Follow anti-static procedures when handling the modules.

- Install the DS7430 board prior to installing the DS7400(Xi) board into the control enclosure. If the DS7400(Xi) board is already installed in the control enclosure, remove the 7400(Xi) board at this time.
- Place the DS7400(Xi) board on a flat surface with the component side of the board facing up.
- Install the four plastic standoffs in the holes provided in the DS7400(Xi) board. Avoid bending or flexing the DS7400(Xi) board when inserting the standoffs. Be sure the standoff tabs are aligned so that they do not touch any components on the module. Be sure that the standoffs are firmly pressed into the board so that the "ears" can expand out. See drawings.
- Install the DS7430 board onto the standoffs, noting that the connector pins from the DS7400(Xi) are properly aligned to install into the connector on the DS7430. Avoid bending or flexing the boards while pressing them onto the standoffs.
- The DS7400(Xi) control board may be installed into the control panel enclosure at this time.

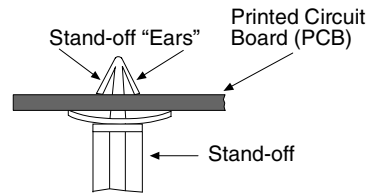
3.0 Wiring

Connect the multiplex loop to the DS7430 as shown. Up to 2000 feet (610 m) of #22 AWG (0.8 mm) or 5000 feet (1525 m) of #18 AWG (1.0 mm) wire may be used. **Do not use shielded cable. Do not share cable with the keypad lines.**

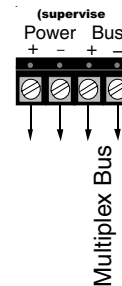
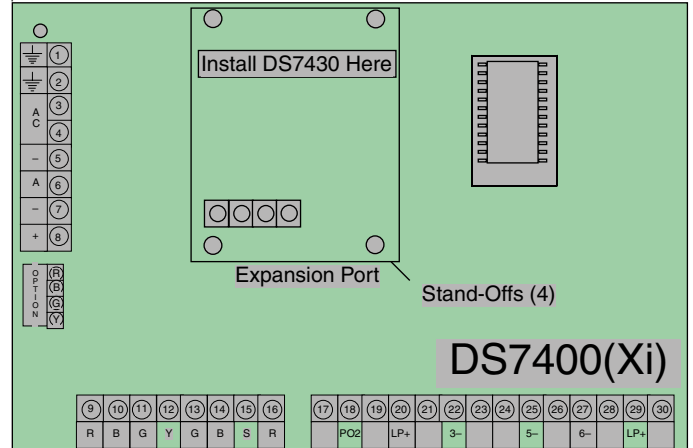
The Bus Power output is for connection of separately powered multiplex devices, such as the DS7432 8 Input Remote Module. If using separate powered detectors, they should be powered from the auxiliary power terminals of the DS7400(Xi).

4.0 Programming Multiplex Devices

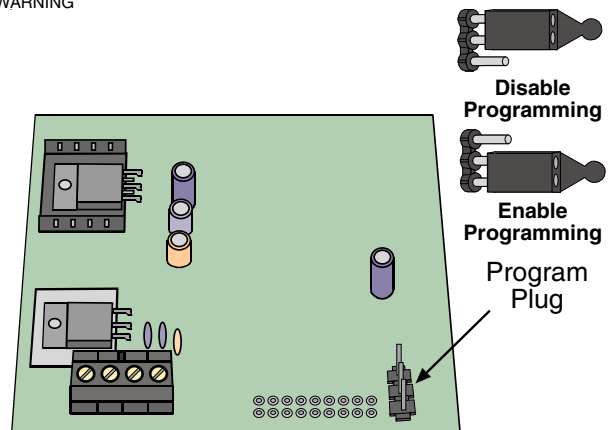
To program multiplex devices, it is necessary to place the Program Plug over the Enable Programming pins. **The Program Plug must be over the Disable Programming pins for normal operation.**



Be sure that the Stand-off is pressed firmly through the Printed Circuit Board, so that the Stand-off ears can expand outward.



Do not disconnect power from the Control Panel if the Program Plug is in the Enable Programming position.



Place the Program Plug over the Enable Pins for Programming Mux Devices

