

# DS12R Series 12-zone Self-contained Control Panel

www.boschsecurity.com



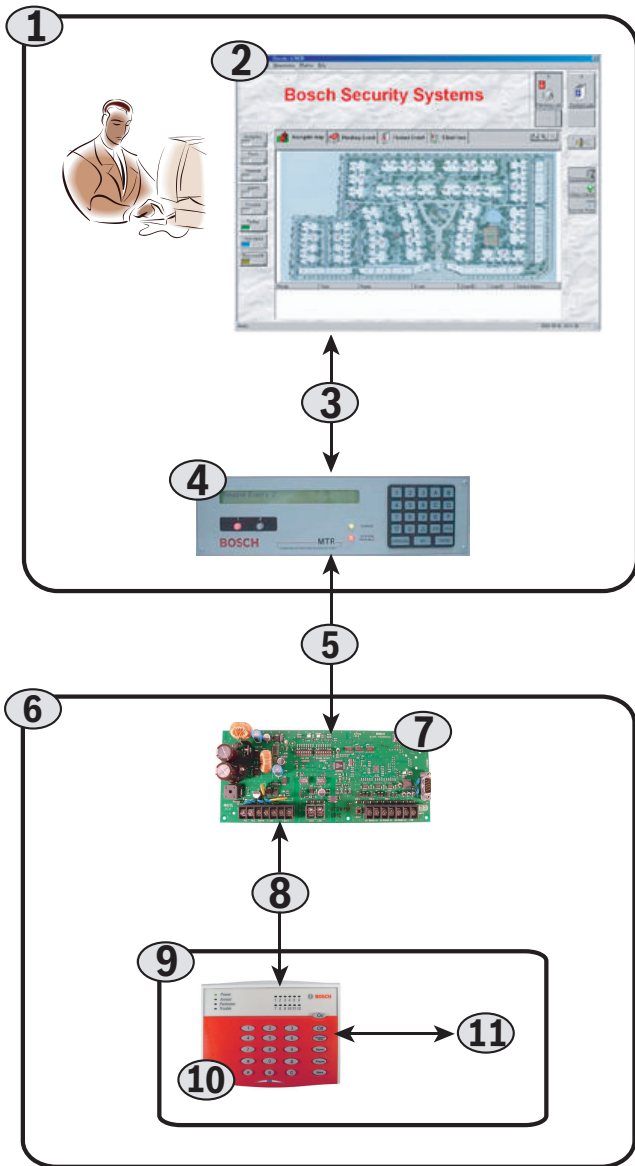
**BOSCH**  
Invented for life



- ▶ 12 alarm input zones and 1 key switch input
- ▶ 1 alarm relay output and 2 solid-state outputs
- ▶ 1 master PIN code and 3 user PIN codes
- ▶ 3 special function buttons for panic, fire, and emergency
- ▶ Wireless receiver and key fob support

The DS12R is a self-contained, 12-zone control panel. Use it as a standalone security system for an individual tenant, or connect it to a Multi-Tenant System (MTS). MTS is a distributed security system for monitoring and controlling a large number of small sites. Examples include apartment and condominium complexes, retail plazas, office buildings, and educational or hospital campuses.

## System overview



1. Local security office
2. Multi-Tenant Software (MTSW)
3. RS-232 bus
4. Multi-Tenant Receiver (MTR); supports two Controller Area Network (CAN) branches
5. CAN bus; supports 100 gateways per branch
6. Multi-Tenant complex with individual tenant units
7. Multi-Tenant Gateway (MTGW); supports three RS-485 branches per gateway and 40 nodes per branch (120 nodes per gateway)
8. RS-485 bus
9. Individual tenant unit<sup>1</sup>
10. DS12R Self-contained Control Panel

11. Peripheral devices: 12 zones (wired or wireless), 2 devices per zone, and 6 key fobs

<sup>1</sup> The individual tenant unit can also act as a standalone system

## Functions

### Security

Control panel programming is restricted to personnel who have the appropriate master code. If the master code is unknown, authorized personnel can reset the control panel's master code to its default value, and then specify a new master code.

For normal operating tasks, such as routine arming and disarming functions, you can assign up to three user codes to the individual tenant. If desired, you can disable user codes entirely.

### Timers

The DS12R provides individually programmable timers for Alarm Time, Exit Delay, and Entry Delay.

### Zone Types

Program each of the control panel's 12 zones as any of the following zone types:

- Instant
- Delay
- 24-hour
- Follower
- Silent
- Perimeter Instant
- Perimeter Delay

In addition, zone 12 can be programmed for Request-to-Exit (REX).

### Zone Bypass and Swinger Bypass

Program each of the 12 zones as either a Bypass zone or a Swinger Bypass zone. A Bypass zone does not cause an alarm when it is faulted; 24-hour zones cannot be bypassed. A Swinger Bypass causes an alarm only the first time it is faulted; all other faults during this armed period are ignored.

### Solid State Outputs

The DS12R provides two solid state outputs, as follows:

- Program Solid State Output 1 for either Follows Armed State or Follows Zone Alarm.
- Program Solid State Output for either Follows Fire Reset, Follows Alarm Output, or Follows Unlock Code.

### Quick Arm

The system can be armed without entering a special code. This is ideal for situations that require others, such as maintenance personnel, to arm the system. Quick Arm is used for arming only and does not disarm the system.

### Key Switch Input

Key Switch Input can be programmed for Allow Arm Only or Allow Arm Or Disarm, and can respond to either a momentarily or a continuously closed key switch.

### Fire, Panic, and Special Emergency Keys

The DS12R provides three special function keys, as follows:

- Fire Key [A]
- Special Emergency [B]
- Panic Key [C]

### Duress Code

The Duress Code feature allows you to send a silent alarm to the central monitoring station if you are forced to disarm your security system against your will. When you enter the duress code, the system appears to disarm normally but, in fact, notifies the central monitoring system that you are in danger.

### Built-in Tamper Switch

The Built-in Tamper Switch notifies the DS12R if the enclosure cover is removed or if the unit is removed from the mounting wall.

## Certifications and approvals

Region	Certification
China	CCC 2009031901000621

## Installation/configuration notes

### Wiring Considerations

Use at least 1.0 mm (20 AWG) shielded twisted-pair wire for the RS-485 bus; maximum length: 1200 m (3900 ft).

### Compatibility

Wireless receivers	RF3212 and RF3212e
Wireless transmitters	All DSRF devices that transmit at 304.00 MHz or 433.42 MHz
Key fobs:	RF3332 and RF3332e RF3334 and RF3334e

## Parts included

Quant.	Component
1	DS12R Series Self-contained Control Panel
1	Literature, Installation Guide
1	Literature, User Guide

## Technical specifications

### Environmental

Environmental Protection:	DIN IEC 721-3-3, Class 1; For indoor use
Relative Humidity:	0% to 93% non-condensing
Temperature (operating):	-10°C to +50°C (+14°F to +122°F)
Temperature (storage):	-10°C to +55°C (+14°F to +131°F)

### Mechanical

Dimensions:	17.0 cm x 13.0 cm x 3.2 cm
-------------	----------------------------

	(6.7 in. X 5.1 in. x 1.3 in.)
Weight:	0.35 kg (12.3 oz)
Tamper:	Built-in cover and wall tamper

### Electrical

Operating Voltage:	9 VDC to 15 VDC
Zones:	Normally-open (NO) or normally-closed (NC) zones.
Zone Response Time:	500 ms
Zone EOL Resistor:	47 kΩ
Output Relay:	Normally-open (NO) or normally-closed (NC). Contacts rated for 3 A at 28 VDC
Solid State Outputs:	Two DC current sink outputs. 250 mA current sink maximum per output at 0.1 VDC saturation. The operating voltage cannot exceed 15 VDC.

## Ordering information

### DS12R 12-zone Self-contained Control Panel CN (gray)

Self-contained, 12-zone control panel for use as a standalone security system or part of a multi-tenant system; for China.

Order number **IUI-DS12RG-CN**

### DS12R 12-zone Self-contained Control Panel CN (white)

Self-contained, 12-zone control panel for use as a standalone security system or part of a multi-tenant system; for China.

Order number **IUI-DS12RW-CN**

**Represented by:**

**Americas:**

Bosch Security Systems, Inc.  
130 Perinton Parkway  
Fairport, New York, 14450, USA  
Phone: +1 800 289 0096  
Fax: +1 585 223 9180  
security.sales@us.bosch.com  
www.boschsecurity.us

**Europe, Middle East, Africa:**

Bosch Security Systems B.V.  
P.O. Box 80002  
5617 BA Eindhoven, The Netherlands  
Phone: + 31 40 2577 284  
Fax: +31 40 2577 330  
emea.securitysystems@bosch.com  
www.boschsecurity.com

**Asia-Pacific:**

Robert Bosch (SEA) Pte Ltd, Security  
Systems  
11 Bishan Street 21  
Singapore 573943  
Phone: +65 6571 2808  
Fax: +65 6571 2699  
apr.securitysystems@bosch.com  
www.boschsecurity.asia

**China:**

Bosch (Shanghai) Security Systems Ltd.  
201 Building, No. 333 Fuquan Road  
North IBP  
Changning District, Shanghai  
200335 China  
Phone +86 21 22181111  
Fax: +86 21 22182398  
www.boschsecurity.com.cn

**America Latina:**

Robert Bosch Ltda Security Systems Division  
Via Anhanguera, Km 98  
CEP 13065-900  
Campinas, Sao Paulo, Brazil  
Phone: +55 19 2103 2860  
Fax: +55 19 2103 2862  
latam.boschsecurity@bosch.com  
www.boschsecurity.com