

## 8 | Specifications

Dimensions	H 8.38 cm (3.3 in) x D 3.65 cm (1.44 in)
Operating temperature	-40° C to 85°C (40°F to 185°F)
Frequency range	698 - 960 MHz, 1710 - 2700 MHz
VSWR	698-806 MHz < 2.5: 1.0
	806-960 MHz < 2.0: 1.0
	1710-2110 MHz < 2.0: 1.0
	2110-2170 MHz < 2.5: 1.0
	2300-2700 MHz < 2.0: 1.0
Nominal Peak gain	698-960 MHz 3.5 dBi
	1710-1990 MHz 5.5 dBi
	2100-2700 MHz 4.6 dBi
Average efficiency	698-960 MHz 90% (max: 96%)
	1710-1990 MHz 91% (max: 95%)
	2100-2700 MHz 80% (max: 86%)
Polarization	Vertical
Pattern	Omnidirectional
Input impedance	50 Ω
Power (max)	100 w
Environmental	Indoor/outdoor
Cable type	Removable new Motorola mount (NMO)
Cable length	25' (7.6 m) B40-MB25
	50' (15.2 m) B40-MB50
Compatible modules	B440
	B441
	B442
	B443

### Copyright

This document is the intellectual property of Bosch Security Systems, Inc., and is protected by copyright. All rights reserved.

### Trademarks

All hardware and software product names used in this document are likely to be registered trademarks and must be treated accordingly.

### Bosch Security Systems, Inc. product manufacturing dates

Use the serial number located on the product label and refer to the Bosch Security Systems, Inc. website at <http://www.boschsecurity.com/datecodes/>.



### Multiband Antenna

B40-MB25/B40-MB50



en Installation Manual

**Bosch Security Systems, Inc.**

130 Perinton Parkway  
Fairport, NY 14450  
USA

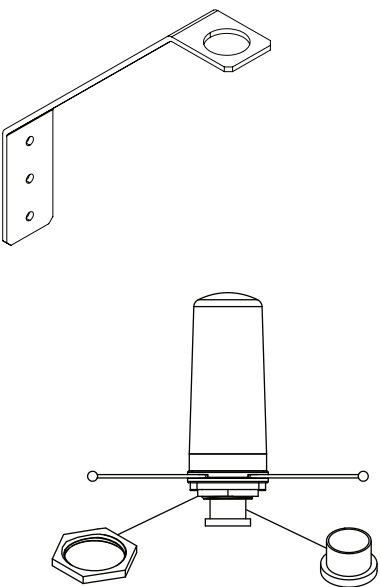
[www.boschsecurity.com](http://www.boschsecurity.com)

**Bosch Sicherheitssysteme GmbH**

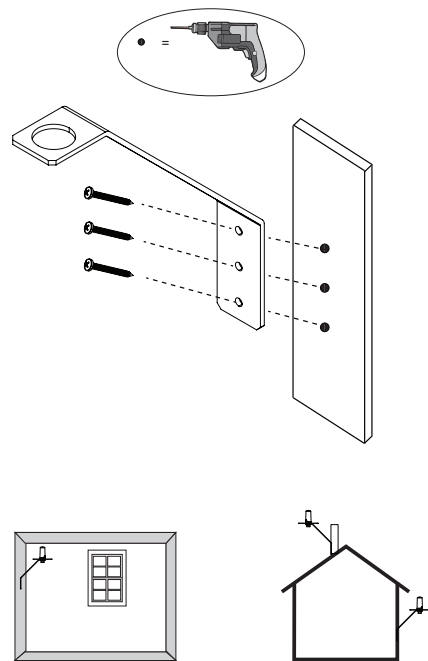
Robert-Bosch-Ring 5  
85630 Grasbrunn  
Germany



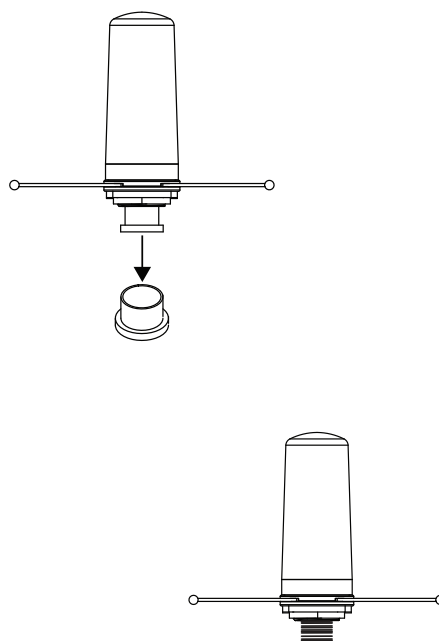
1 |



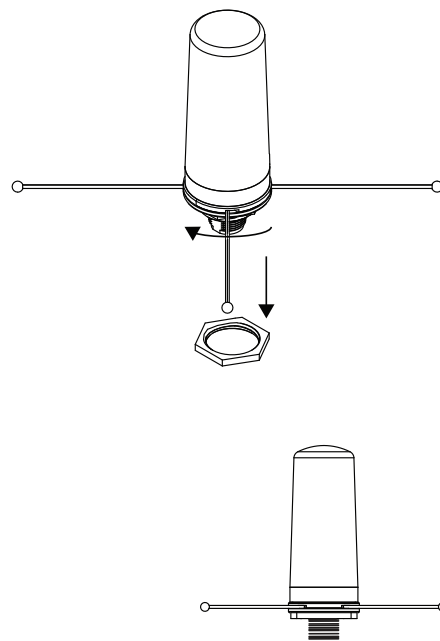
1 |



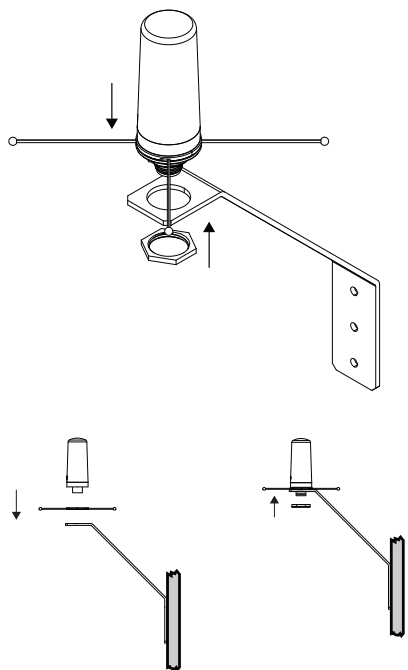
2 |



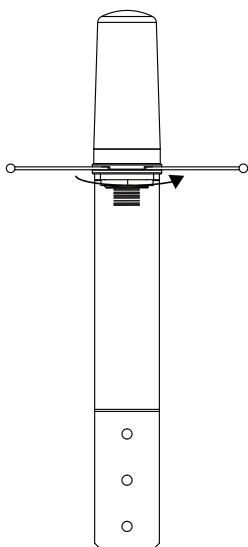
3 |



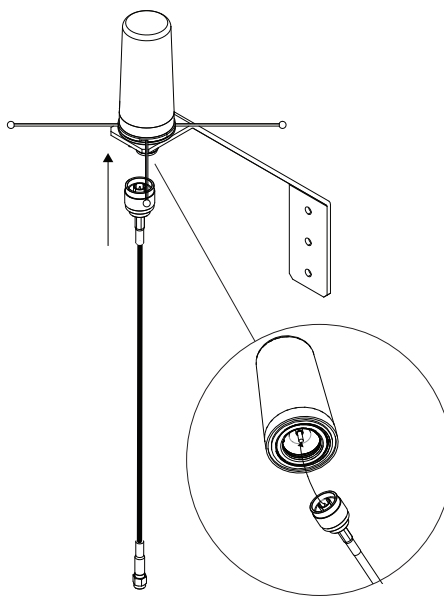
4 |



5 |



6 |



7 |

