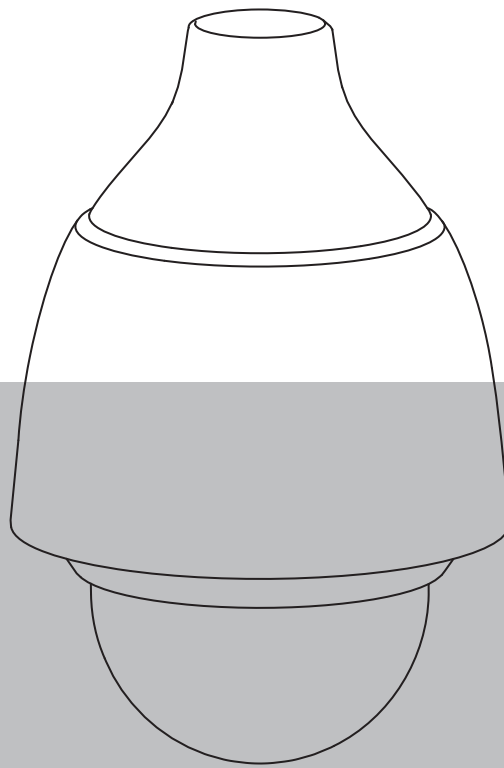


# **AUTODOME IP starlight 5000i (pendant)**

NDP-5512-Z30 | NDP-5512-Z30-P





## Table of contents

<b>1</b>	<b>Safety</b>	<b>4</b>
1.1	About this Manual	4
1.2	Legal Information	4
1.3	Safety Precautions	4
1.4	Important safety instructions	5
1.5	Additional safety information	6
1.6	Connection in Applications	7
1.7	Important notices	7
1.8	Use latest software	9
1.9	Customer Support and Service	10
<b>2</b>	<b>Introduction</b>	<b>11</b>
2.1	System requirements	12
2.2	Establishing the connection	12
2.3	Establishing the connection	12
2.4	Configuration with Project Assistant app	13
<b>3</b>	<b>Product Description</b>	<b>14</b>
<b>4</b>	<b>Preparing Wiring</b>	<b>15</b>
<b>5</b>	<b>Preparing the Camera</b>	<b>16</b>
<b>6</b>	<b>Installing a microSD card (optional)</b>	<b>17</b>
<b>7</b>	<b>Installing a Camera Directly to an Indoor Wall</b>	<b>19</b>
7.1	Installation Requirements	19
7.2	Preparing the Wall for Installation	19
7.3	Installing the Wall Mount	19
7.4	Attaching the Mounting Cap and the Camera	19
<b>8</b>	<b>Installing a Surveillance Cabinet and Camera</b>	<b>22</b>
8.1	Installing the Wall Mount	22
8.2	Attaching the Mounting Cap and the Camera	22
<b>9</b>	<b>Installing a Roof Mount and Camera</b>	<b>25</b>
9.1	Installing the Roof Mount	25
9.2	Attaching the Mounting Cap and the Camera	26
<b>10</b>	<b>Installing a Pipe Mount and Camera</b>	<b>29</b>
10.1	Tools Required	29
10.2	Preparing the Ceiling for Installation	29
10.3	Installing the Pipe Mount	29
10.4	Attaching the Mounting Cap and the Camera	30
<b>11</b>	<b>Connection</b>	<b>33</b>
<b>12</b>	<b>Decommissioning</b>	<b>35</b>
12.1	Transfer	35
12.2	Disposal	35
<b>13</b>	<b>Support</b>	<b>36</b>

# 1 Safety

## 1.1 About this Manual

This manual has been compiled with great care and the information it contains has been thoroughly verified. The text was complete and correct at the time of printing. Because of the ongoing development of products, the content of the manual may change without notice. Bosch Security Systems accepts no liability for damage resulting directly or indirectly from faults, incompleteness, or discrepancies between the manual and the product described.

## 1.2 Legal Information

### Copyright

This manual is the intellectual property of Bosch Security Systems, and is protected by copyright. All rights reserved.

### Trademarks

All hardware and software product names used in this document are likely to be registered trademarks and must be treated accordingly.

## 1.3 Safety Precautions

In this manual, the following symbols and notations are used to draw attention to special situations:



### Danger!

High risk: This symbol indicates an imminently hazardous situation such as “Dangerous Voltage” inside the product. If not avoided, this will result in an electrical shock, serious bodily injury, or death.

---



### Warning!

Medium risk: Indicates a potentially hazardous situation. If not avoided, this may result in minor or moderate injury.

---



### Caution!

Low risk: Indicates a potentially hazardous situation. If not avoided, this may result in property damage or risk of damage to the unit.

---



### Notice!

This symbol indicates information or a company policy that relates directly or indirectly to the safety of personnel or protection of property.

---

## 1.4 Important safety instructions

Read, follow, and retain for future reference all of the following safety instructions. Follow all warnings before operating the device.

1. Clean only with a dry cloth. Do not use liquid cleaners or aerosol cleaners.
2. Do not install device near any heat sources such as radiators, heaters, stoves, or other equipment (including amplifiers) that produce heat.
3. Never spill liquid of any kind on the device.
4. Take precautions to protect the device from power and lightning surges.
5. Adjust only those controls specified in the operating instructions.
6. Operate the device only from the type of power source indicated on the label.
7. Unless qualified, do not attempt to service a damaged device yourself. Refer all servicing to qualified service personnel.
8. Install in accordance with the manufacturer's instructions in accordance with applicable local codes.
9. Use only attachments/accessories specified by the manufacturer.
10. Protect all connection cables from possible damage, particularly at connection points.



### Warning!

#### Bosch's version of High PoE:

If supplying power to the camera by HPoE or a midspan device, you must install additional surge protection.

**Ventilation** – Any openings in the device / enclosure are provided for ventilation to prevent overheating and to ensure reliable operation. Do not block or cover these openings. Do not place the device in an enclosure unless proper ventilation is provided, or the manufacturer's instructions have been adhered to.

**Video loss** - Video loss is inherent to digital video recording; therefore, Bosch Security Systems cannot be held liable for any damage that results from missing video information. To minimize the risk of losing information, we recommend multiple, redundant recording systems, and a procedure to back up all analog and digital information.



### Caution!

Always securely tighten all fittings to ensure a liquid-tight seal. Failure to do so could allow water to enter the housing and damage the units. If a sealant is used, ensure that it is a neutral cure type. Sealants that release acetic acid may harm electronics. Use drip loops on the wiring outside the housing.

Always use Teflon tape (user-supplied) and sealant (user-supplied) on connector threads of any mount (sold separately by Bosch or user-supplied).



### Notice!

Risk of water ingress

Securely seal all fittings and connection points between the device and all mounts to ensure a liquid-tight seal. Failure to do so could allow water to enter the housing and damage the device. Always use Teflon tape (user-supplied) and sealant (user-supplied) on connector threads of any mount (sold separately by Bosch or user-supplied).

If a sealant is used, make sure that it is a neutral cure type. Sealants that release acetic acid may harm electronics.

Use drip loops on the wiring outside the housing.

## 1.5 Additional safety information



### Notice!

The product shall be installed under the eaves of a building, and shall avoid direct exposure of the external wire to sunlight and water.



### Caution!

Attach the metal mounting plate (supplied with the camera) to the inside of the pendant interface plate mount with the three (3) M4 screws (12 mm) (supplied with mount).



### Caution!

This equipment is only to be connected to PoE networks without routing to outside plant.



### Danger!

**Service** - Do not attempt to service this unit by yourself. Opening or removing covers may expose you to dangerous voltages or other hazards. Refer all servicing to qualified service personnel

### Recommendations for maximum cable distance and wire gage

The following table identifies the recommended transmission distance (maximum) in meters (feet), based on the specified wattage, per the minimum cable diameter (in mm<sup>2</sup>), when the cable diameter is fixed and the maximum permitted power consumption for 24 VAC is 10%. Wire type is Cu. Minimum torque is between 0.1 N m and 0.18 N m.

Models	Watts	1.0 mm <sup>2</sup>	1.5 mm <sup>2</sup>	2.5 mm <sup>2</sup>	4.0 mm <sup>2</sup>
Indoor (ceiling)	20	42 m (141 ft)	68 m (225 ft)	109 m (358 ft)	275 m (905 ft)
Outdoor	30	28 m (94 ft)	45 m (150 ft)	72 m (238 ft)	183 m (603 ft)

### Wire Gage

Wire diameter (mm <sup>2</sup> ;ISO 6722, standard DIN sizes)	AWG
1.0	18
1.5	16
2.5	14
4.0	12



### Caution!

Risk of explosion

Disposal of the battery into fire or a hot oven, or mechanical crushing or cutting of a battery, can result in an explosion.

## 1.6 Connection in Applications

**24 VAC power source:** This unit is intended to operate with a limited power source. The unit is intended to operate at 24 VAC (if PoE+ is not available). User supplied wiring must be in compliance with electrical codes (Class 2 power levels).

**PoE:** Use only approved PoE+ devices. Power-over-Ethernet can be connected at the same time as a 24 VAC power supply.

If auxiliary power (24 VAC) and PoE+ are applied simultaneously, the camera selects auxiliary input and shuts off PoE+.

**24 VAC power source:** This unit is intended to operate at 24 VAC (if PoE is not available). User-supplied wiring must be in compliance with electrical codes (Class 2 power levels).

**PoE:** Use only approved PoE (802.3at or 802.3bt) devices. Power-over-Ethernet can be connected at the same time as a 24 VAC power supply. If auxiliary power (24 VAC) and PoE are applied simultaneously, the camera selects PoE and stops auxiliary input.

For pendant models used in outdoor applications that require heaters, 24 VAC power is required to power both the camera and its internal heaters.

For in-ceiling or indoor pendant applications that don't require heater power, standard PoE+ (802.3at) midspans or switches can be used to power the camera.

## 1.7 Important notices

NDP-5512-Z30 | NDP-5512-Z30-P | NDP-5512-Z30C | NDP-5512-Z30C-P:

### UL disclaimer

Underwriter Laboratories Inc. ("UL") has not tested the performance or reliability of the security or signaling aspects of this product. UL has only tested fire, shock and/or casualty hazards as outlined in Standard(s) for Safety for Information Technology Equipment, IEC 62368-1.

UL MAKES NO REPRESENTATIONS, WARRANTIES, OR CERTIFICATIONS WHATSOEVER REGARDING THE PERFORMANCE OR RELIABILITY OF ANY SECURITY OR SIGNALING-RELATED FUNCTIONS OF THIS PRODUCT.

### FCC statement (USA)



### Notice!

This is a **class A** product. In a domestic environment this product may cause radio interference, in which case the user may be required to take adequate measures.

### FCC & ICES Information

*(U.S.A. and Canadian Models Only)*

This device complies with part 15 of the FCC Rules. Operation is subject to the following conditions:

- this device may not cause harmful interference, and
- this device must accept any interference received, including interference that may cause undesired operation.

NOTE: This equipment has been tested and found to comply with the limits for a **Class A** digital device, pursuant to Part 15 of the FCC Rules and ICES-003 of Industry Canada. These limits are designed to provide reasonable protection against harmful interference when the equipment is operated in a **commercial environment**. This equipment generates, uses, and radiates radio frequency energy and, if not installed and used in accordance with the

instruction manual, may cause harmful interference to radio communications. Operation of this equipment in a residential area is likely to cause harmful interference, in which case the user will be required to correct the interference at his expense.

Intentional or unintentional modifications, not expressly approved by the party responsible for compliance, shall not be made. Any such modifications could void the user's authority to operate the equipment. If necessary, the user should consult the dealer or an experienced radio/television technician for corrective action.

#### **FCC suppliers Declaration of Conformity**

<b>Order number</b>	<b>Identifying feature</b>
NDP-5512-Z30   NDP-5512-Z30-P	PTZ 2MP HDR 30x clear IP66 pendant

#### **Responsible party**

Bosch Security Systems, LLC  
130 Perinton Parkway  
14450 Fairport, NY, USA  
[www.boschsecurity.us](http://www.boschsecurity.us)



## 1.8 Use latest software

Before operating the device for the first time, make sure that you install the latest applicable release of your software version. For consistent functionality, compatibility, performance, and security, regularly update the software throughout the operational life of the device. Follow the instructions in the product documentation regarding software updates.

The following links provide more information:

- General information: <https://www.boschsecurity.com/xc/en/support/product-security/>
- Security advisories, that is a list of identified vulnerabilities and proposed solutions: <https://www.boschsecurity.com/xc/en/support/product-security/security-advisories.html>

Bosch assumes no liability whatsoever for any damage caused by operating its products with outdated software components.



### **Notice!**

Bosch strongly recommends upgrading to the latest firmware for the best possible functionality, compatibility, performance and security.

Check <http://downloadstore.boschsecurity.com/> regularly to see if there is a new firmware version available.

## 1.9 Customer Support and Service

If this unit needs service, contact the nearest Bosch Security Systems Service Center for authorization to return and shipping instructions.

### **USA and Canada**

Telephone: 800-289-0096, option 5

Fax: 800-366-1329

Email: [repair@us.bosch.com](mailto:repair@us.bosch.com)

### **Customer Service**

Telephone: 800-289-0096, option 3

Fax: 800-315-0470

Email: [orders@us.bosch.com](mailto:orders@us.bosch.com)

### **Technical Support**

Telephone: 800-289-0096, option 4

Fax: 800-315-0470

Email: [technical.support@us.bosch.com](mailto:technical.support@us.bosch.com)

### **Europe, Middle East, Africa, and Asia Pacific Regions**

Contact your local distributor or Bosch sales office. Use this link: <https://www.boschsecurity.com/xc/en/where-to-buy/>

### **More Information**

For more information, please contact the nearest Bosch Security Systems location or visit [www.boschsecurity.com](http://www.boschsecurity.com).

## 2 Introduction

- This equipment should be unpacked and handled with care. Check the exterior of the packaging for visible damage. If an item appears to have been damaged in shipment, notify the shipper immediately.
- Verify that all the parts listed in the Parts List below are included. If any items are missing, notify your Sales or Customer Service Representative from Bosch Security Systems.
- Do not use this product if any component appears to be damaged. Please contact Bosch Security Systems in the event of damaged goods.
- The original packing carton (if undamaged) is the safest container in which to transport the unit and must be used if returning the unit for service. Save it for possible future use.

## 2.1 System requirements

Our recommendations are:

- Computer with Dual core HyperThreading processor or better
- Graphic card with performance that matches or is better than the resolution of the camera
- Windows 10 or later
- Network access
- Google Chrome, Microsoft Edge, or Mozilla Firefox

**- or -**

Application software, for example, Video Security Client, Bosch Video Client or BVMS.

## 2.2 Establishing the connection

The unit must have a valid IP address to operate on your network and a compatible subnet mask.

By default, DHCP is pre-set at the factory to **On plus Link-Local** so a DHCP server assigns an IP address or, if no DHCP server is available, a link-local address (auto-IP) is assigned within the range 169.254.1.0 to 169.254.254.255.

You can use the Configuration Manager to find the IP address. Download the software from <http://downloadstore.boschsecurity.com>.

1. Start the Web browser.
2. Enter the IP address of the unit as the URL.
3. During initial installation, confirm any security questions that appear.

**Note:**

If you cannot connect, the unit may have reached its maximum number of connections.

Depending on the device and network configuration, each unit can have up to 50 web browser connections, or up to 100 connections via Bosch Video Client or BVMS.

## 2.3 Establishing the connection

The unit must have a valid IP address and a compatible subnet mask to operate on your network. By default, DHCP is pre-set at the factory to **On** and so your DHCP server assigns an IP address. With no DHCP server the default address is 192.168.0.1

The Project Assistant app or Configuration Manager (version 7.50 or higher) can be used to find the IP address. Download the software from <https://downloadstore.boschsecurity.com>:

1. Start the web browser.
2. Enter the IP address of the device as the URL.
3. During the initial installation, confirm any security questions that show.

If a RADIUS server is used for network access control (802.1x authentication), you must configure the device before the device can communicate with the network.

To configure the device, connect it directly to a computer using a network cable and then set the service-level password.

**Note:**

If you cannot connect, the unit may have reached its maximum number of connections.

Depending on the device and network configuration, each unit can have up to 50 web browser connections, or up to 100 connections via Bosch Video Client or BVMS.

## 2.4 Configuration with Project Assistant app

You can also use the Project Assistant app to complete the initial configuration of the camera. In order to use this device with the Project Assistant app by Bosch, you must download the app from the Bosch Download Store, from Google Play, or from the Apple Store.

You can access the app in several ways:

- Scan the QR code from the QIG.
- From [www.boschsecurity.com](http://www.boschsecurity.com), select Support > Apps and Tools > Online Apps - Video > Bosch Project Assistant app. Select the appropriate operating system, and then click the appropriate button to download and install the app.
- From Google Play Store ([play.google.com](http://play.google.com)), search for Bosch Project Assistant. Select the app from the list. Click the Install button.
- From Apple Store ([itunes.apple.com](http://itunes.apple.com)), search for Bosch Project Assistant. Select the app from the list. Click the appropriate button to download and install the app.

### 3 **Product Description**

Specially designed and tuned for applications requiring surveillance in scenes with varying light levels, the AUTODOME IP starlight 5000i camera has an integrated 30X optical zoom to identify people at a maximum distance of 183 m (600 ft) with minimal loss of detail.

## 4 Preparing Wiring

- ▶ Prepare and install all wiring for 24 VAC, PoE (Cat5e or better), alarms, and audio as necessary. For 24 VAC, follow the recommendations for maximum cable distance and wire gage.

### Maximum cable distance in meters (feet) per minimum cable diameter

The following table identifies the recommended transmission distance (maximum) in meters (feet), based on the specified wattage, per the minimum cable diameter (in mm<sup>2</sup>), when the cable diameter is fixed and the maximum permitted power consumption for 24 VAC is 10%. For example, for a device of 20 W and a minimum cable diameter of 1.0 mm<sup>2</sup>, the recommended transmission distance is 42 m (141 feet) from the transformer.

Models	Watts	1.0 mm <sup>2</sup>	1.5 mm <sup>2</sup>	2.5 mm <sup>2</sup>	4.0 mm <sup>2</sup>
Indoor (ceiling)	20	42 m (141 ft)	68 m (225 ft)	109 m (358 ft)	275 m (905 ft)
Outdoor	30	28 m (94 ft)	45 m (150 ft)	72 m (238 ft)	183 m (603 ft)

### Wire Gage

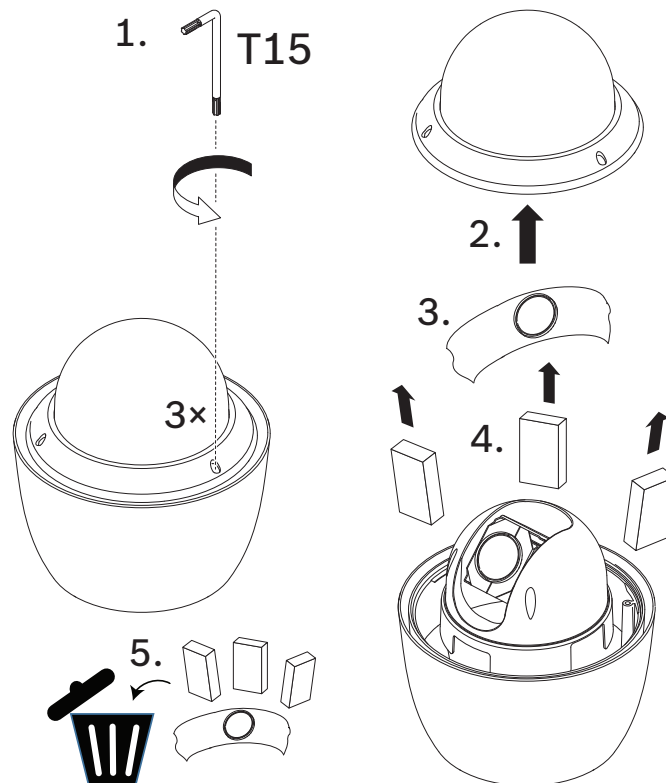
Wire diameter (mm <sup>2</sup> ;ISO 6722, standard DIN sizes)	AWG
1.0	18
1.5	16
2.5	14
4.0	12

## 5 Preparing the Camera

**Note:** For *pendant* models, use T15.

For *in-ceiling* models, use T10.

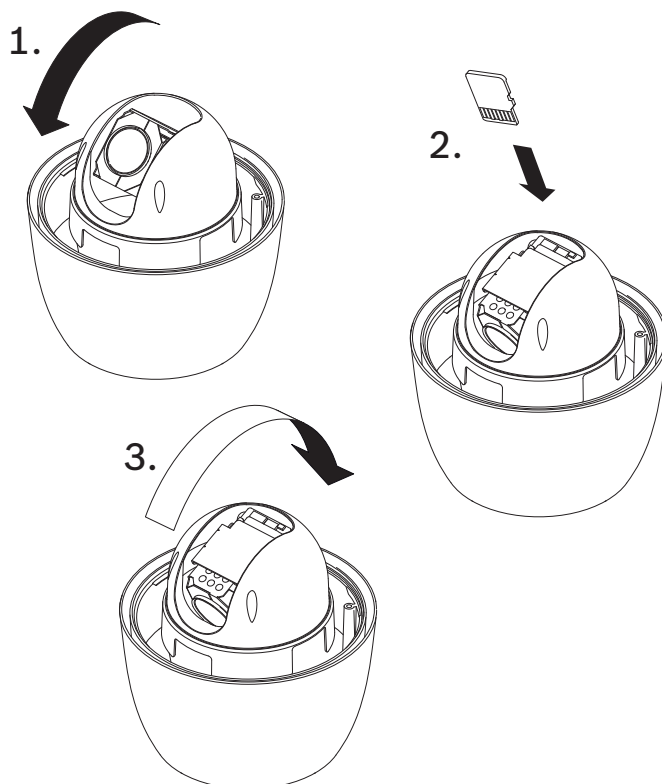
1. Loosen the three (3) Hex screws in the trim ring / bubble enclosure with the appropriate Torx screwdriver.
2. Remove the trim ring / bubble enclosure.
3. Remove the foam insert that protects the camera block.
4. Remove the tape holding the plastic lens protector; remove the lens protector.





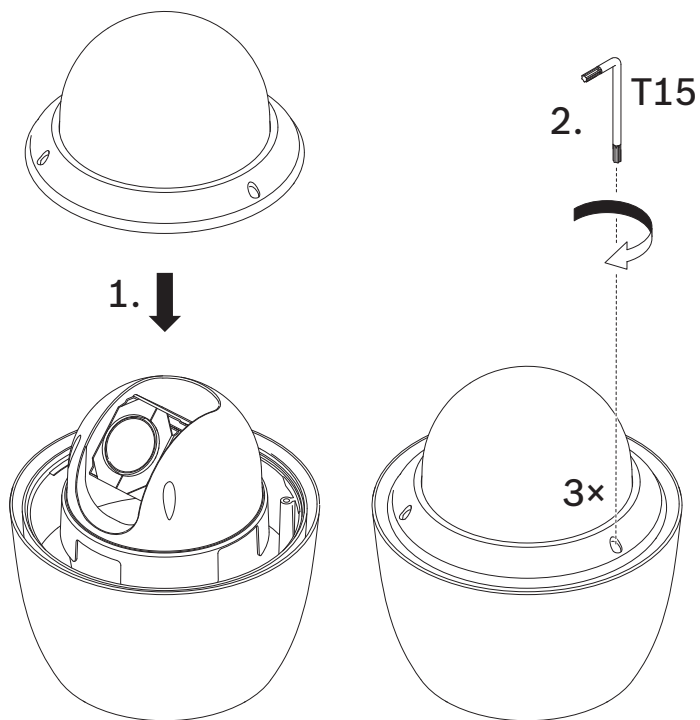
## 6 Installing a microSD card (optional)

1. Push the camera block until you see the card slot (item 1 in the following figure).
2. Insert the card into the slot (item 2 in the following figure).
3. Push the camera block into its original position (item 3 in the following figure).



**Note:** The next two steps are for pendant models only.

1. Replace the trim ring / bubble enclosure.
2. Tighten the screws with the T15 Torx screwdriver.



3. Proceed with installation.

## 7 Installing a Camera Directly to an Indoor Wall

### 7.1 Installation Requirements

- The wall is thick enough to install the mounting screws.
- The wall can sustain at least eight (8) times the weight of the camera (1.88 kg (4.14 lb)): > 15 kg (33 lb).

### 7.2 Preparing the Wall for Installation

**Notice!**

Indoor use only!

The instructions in this chapter apply to indoor installation only. For outdoor installation, use either the surveillance cabinet (NDA-U-PAX) or the mount plate (NDA-U-WMP).

1. Determine a secure location for the wall mount. Ensure there is an adequate opening in the wall for the cables to pass through.
2. Use the direct connect plate as a template to mark the location to drill holes for the four mounting screws (and anchors (user-supplied) if necessary), and to cut the hole for the cables.
3. Drill the holes.
4. Insert the wall anchors (user-supplied) (if necessary) into the wall at the locations marked in step 2.
5. Cut an appropriately-sized hole for the cables, using a drywall utility saw or jig saw.

### 7.3 Installing the Wall Mount

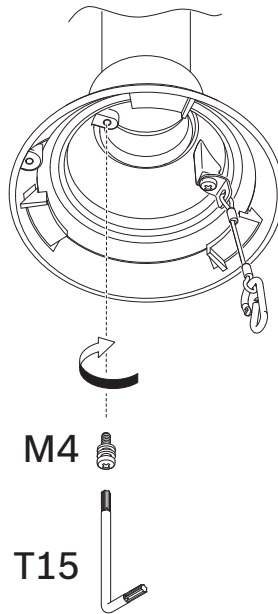
1. Attach the direct connect plate to the wall.
2. Thread the RJ45 cable and 24 VAC cables through the wall and then through the (adapter).

Make sure that the cables are long enough to reach through the mount and the mounting cap of the camera to the connections from the camera.

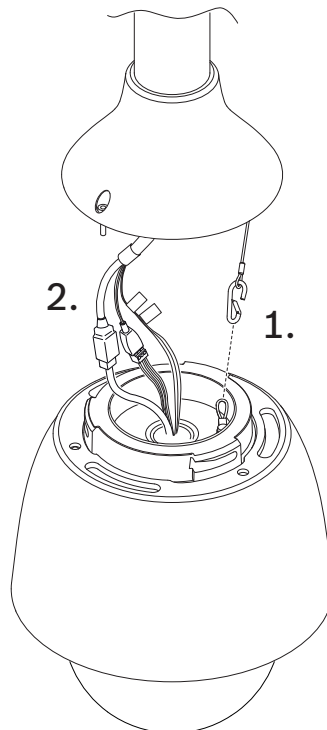
1. Slide the mounting flange over the wall mount.
2. Attach the wall mount to the mounting flange and to the direct connect plate using four M5 screws.
3. Attach the wall mount to the mounting flange and fix them on the front door of the Wall-mount Surveillance Cabinet by using four M5 screws.

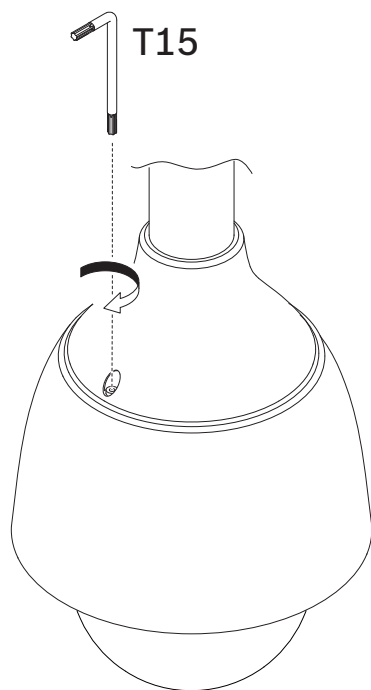
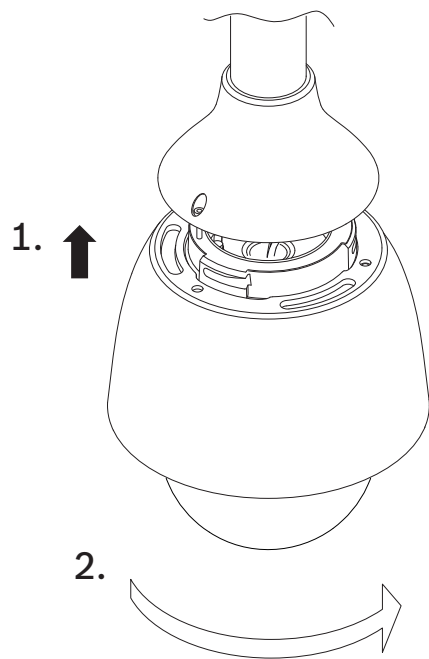
### 7.4 Attaching the Mounting Cap and the Camera

1. To make a watertight seal, wrap PTFE tape ( ) four times around the threads at the end of the mount.
2. Attach the mounting cap to the mount.
3. Secure the locking screw with the T15 Torx screwdriver.



4. Thread all connection cables through the mounting cap.
5. Attach the hook at the end of the Safety Tether to the loop attached to the top of the camera.
6. Connect the mating connectors on the user-supplied cables to the matching connectors on the camera. Refer to the chapter Connection for more information.





## 8 Installing a Surveillance Cabinet and Camera

The surveillance cabinet can attach directly to a wall, to a corner mount, or to a pole mount. To install the cabinet (power supply box), follow the instructions in the Surveillance Cabinet *Installation Manual*.

1. Thread the cables through the wall and the mounts.

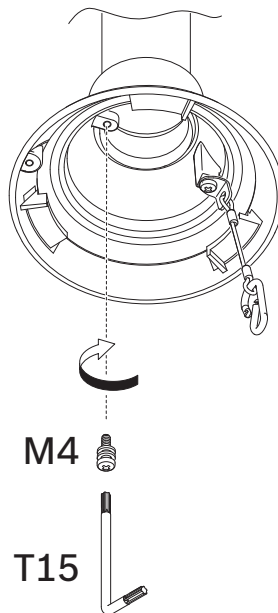
Ensure that the cables are long enough to reach through the mount and the camera's mounting cap to the connections from the camera.

### 8.1 Installing the Wall Mount

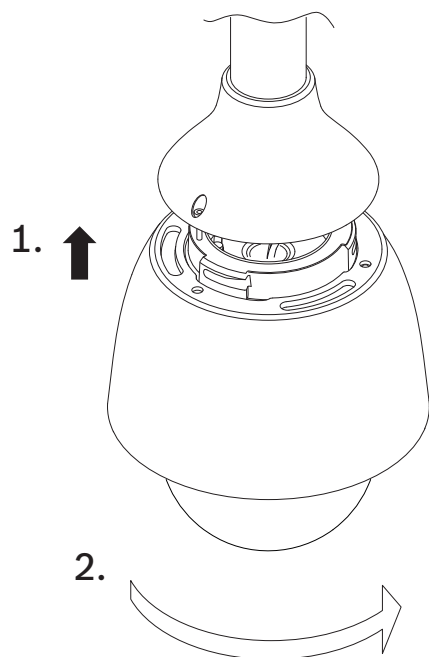
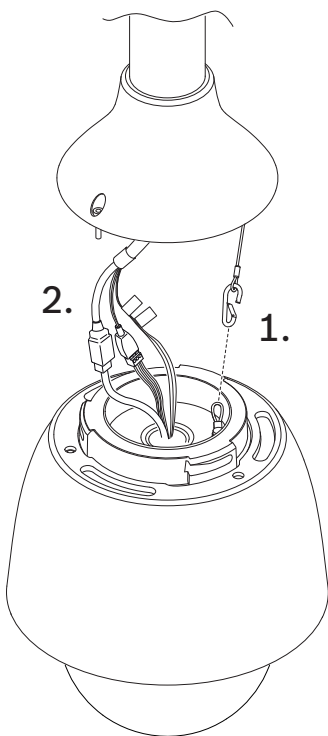
1. Slide the mounting flange over the wall mount.
2. Attach the wall mount to the mounting flange and fix them on the front door of the Wall-mount Surveillance Cabinet by using four M5 screws.

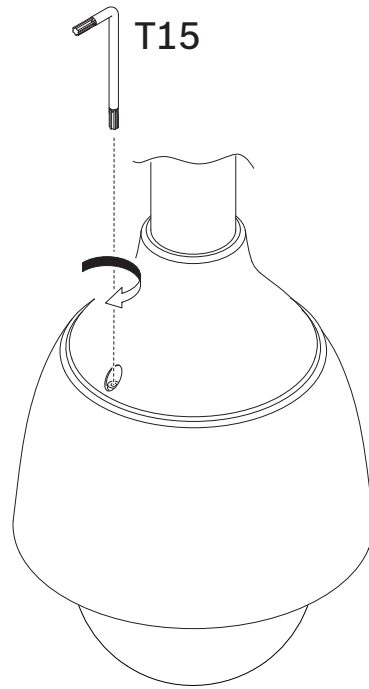
### 8.2 Attaching the Mounting Cap and the Camera

1. To ensure a watertight seal, wrap Teflon tape ( ) four times around the threads at the end of the mount.
2. Attach the mounting cap to the mount.
3. Secure the locking screw with the T15 Torx screwdriver.



4. Thread all connection cables through the mounting cap.
5. Attach the hook at the end of the Safety Tether to the loop attached to the top of the camera.
6. Connect the mating connectors on the user-supplied cables to the matching connectors on the camera. Refer to the chapter Connection for more information.







# 9 Installing a Roof Mount and Camera

## 9.1 Installing the Roof Mount

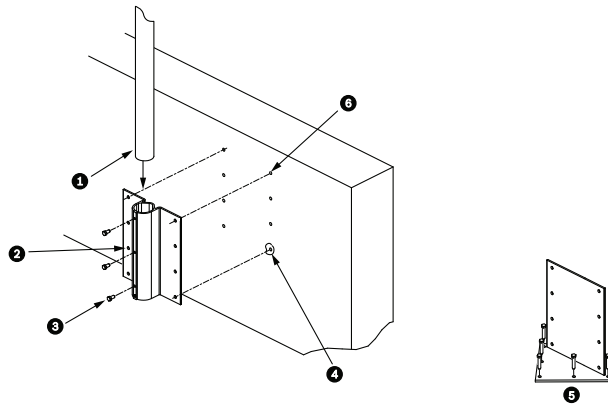
1. Determine the wall location on the roof for the camera and use the pendant parapet mount bracket as a template to mark the hole locations.



**Notice!**

Allow enough room below the mount bracket to route the video, control, and alarm wires up through the parapet arm. In certain installations, you may need to lift the parapet arm for the camera to clear the top of the wall when it is swung into position. Provide enough slack in the wires to rotate the pipe arm over the roof and back when camera maintenance is required.

2. Prepare the mounting surface for the type of fastener by drilling holes for the mounting anchors as required.



**Figure 9.1:** Pendant parapet mount bracket and Roof mount plate

1	Pipe arm	4	Apply sealant around each fastener hole
2	Pendant parapet mount bracket	5	Roof mount plate
3	3/8-16 SS Hex Head Bolt (supplied)	6	Use a minimum of six (6) fasteners (not supplied). Eight (8) fastener holes shown.



**Notice!**

Fasteners are not supplied with the Roof Parapet Mount Kit because the appropriate fasteners depend on the material to which the mount is attached. The material must accommodate a minimum pull-out strength of 275 kg (600 lb) (for example, 19 mm (3/4 in.) minimum for plywood). Fasteners can include bolts, studs, or lag bolts. All fasteners must be made of corrosion-resistant stainless steel with a diameter of 10 mm (3/8 in.). All bolts must fully extend through the mounting surface and be secured with a flat washer, a lock washer, and a nut. All studs must be anchored to concrete or welded to a steel backing plate. Anchor bolts can be used for blind structures where there is no access to the rear.

3. Apply a weatherproof sealant around each fastener hole at the mounting surface.

4. Attach the pendant parapet mount bracket using at least six (6) stainless steel fasteners, three (3) on each side. (The bracket has eight (8) holes.) Be careful not to overtighten the fasteners because it may strip the threads. If attaching the parapet mount to a flat roof, attach the optional LTC 9230/01 Roof Mount Plate to the roof and then attach the pendant parapet mount bracket to the Roof Mount Plate.
5. Insert the Parapet Pipe Arm into the mounting bracket until it bottoms in the bracket.
6. Remove the End Cap from the front of the arm. Feed the video, control, and power wires up through the bottom of the pipe arm and out the front end.

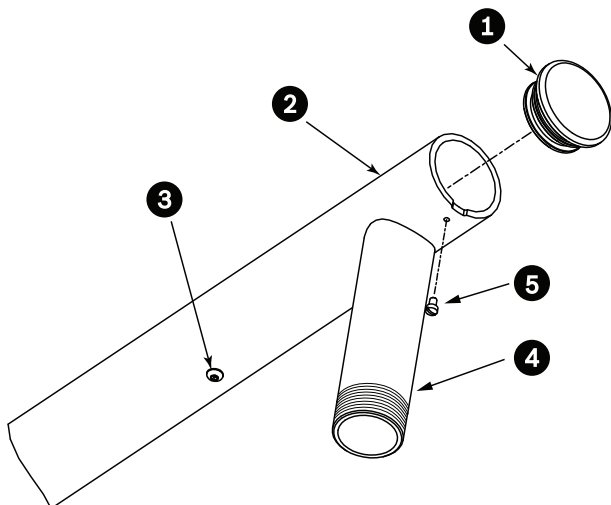


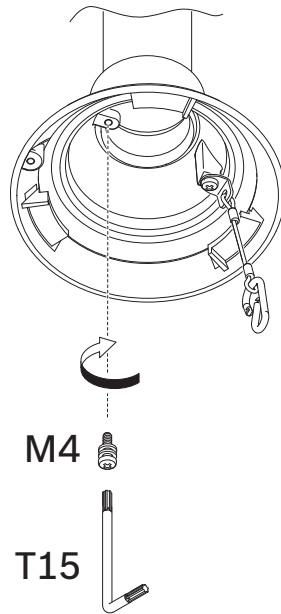
Figure 9.2: NDA-U-RMT

1	End Cap with O-ring
2	Parapet Pipe Arm
3	1/4-20 SS Cap Screw
4	Down Pipe
5	10-24 SS Pan Head Screw

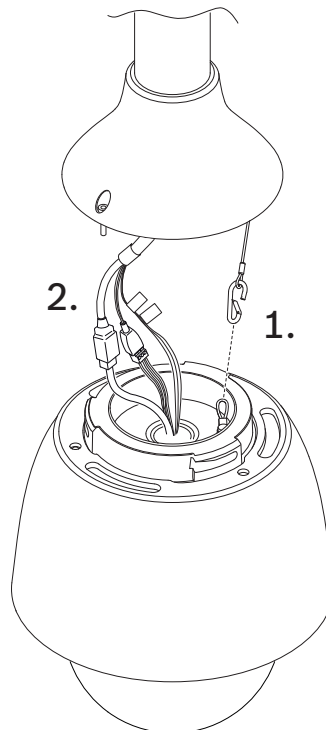
7. Fold back the video, control, and power wires at the front end of the arm and route them down and out through the Down Pipe. Replace the End Cap.
8. Wrap at least five layers of Teflon tape around the Down Pipe threads.

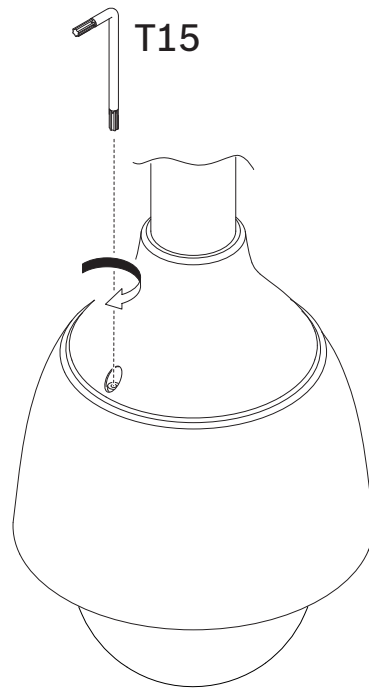
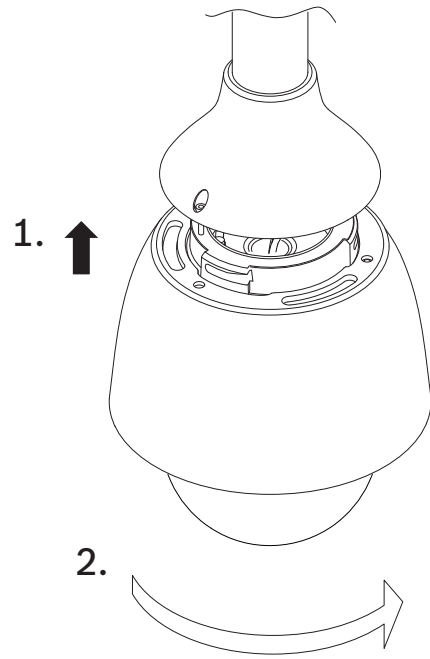
## 9.2 Attaching the Mounting Cap and the Camera

1. To ensure a watertight seal, wrap Teflon tape ( ) four times around the threads at the end of the mount.
2. Attach the mounting cap to the mount.
3. Secure the locking screw with the T15 Torx screwdriver.



4. Thread all connection cables through the mounting cap.
5. Attach the hook at the end of the Safety Tether to the loop attached to the top of the camera.
6. Connect the mating connectors on the user-supplied cables to the matching connectors on the camera. Refer to the chapter Connection for more information.





---

## 10 Installing a Pipe Mount and Camera

---

**Notice!**

Indoor use only!

This mount shall only be installed indoors. No outdoors installation is permitted.

---

### 10.1 Tools Required

- Appropriate tool for cutting a hole in drywall
- No. 2 Phillips screwdriver
- Torx screwdriver, T-25

### 10.2 Preparing the Ceiling for Installation

1. Determine a secure location for the pipe mount. Ensure there is an adequate opening in the ceiling or mounting structure for the cables to pass through.
- 

**Caution!**

Select a rigid mounting location to prevent excessive vibration to the camera.

---

**Notice!**

The fasteners and mounting surface must be capable of supporting a maximum load of 11.33 kg (25 pounds).

---

2. Use the direct connect plate as a template to mark the location to drill holes for the four mounting screws (and anchors (user-supplied) if necessary), and to cut the hole for the cables.
3. Drill the holes for the mounting screws.
4. Drill a hole (maximum of 20 mm [.79 in.]) in the center of the mounting location to feed the cables through the mount.
5. Insert the wall anchors (user-supplied), if necessary, into the ceiling at the locations marked in step 2.

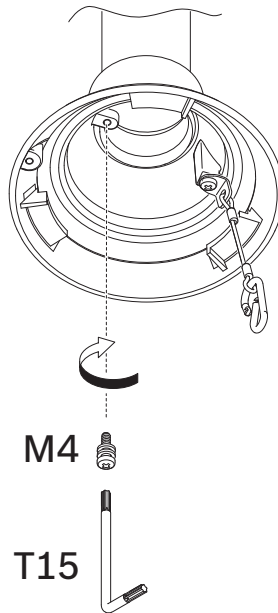
### 10.3 Installing the Pipe Mount

Ensure that the cables are long enough to reach through the mount and the camera's mounting cap to the connections from the camera.

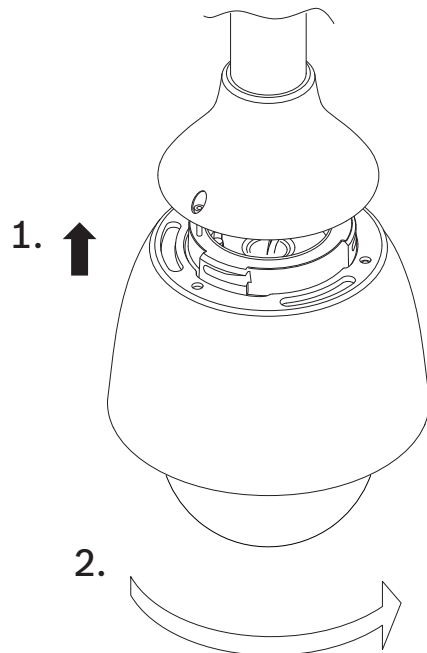
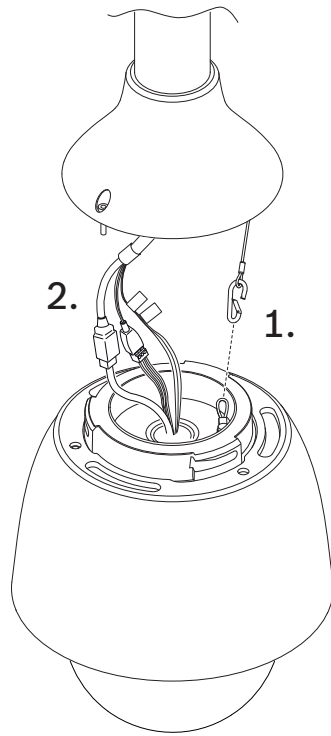
1. Attach the mounting flange and (adapter) to the direct connect plate using four M5 screws.
2. Thread the cables through the pipe mount.
3. Attach the pipe mount to the mounting flange and (adapter).
4. If you choose to install the pipe mount extension, thread the cables through the extension. Attach the pipe extension to the open end of the pipe mount.
5. Attach the hook at the end of the Safety Tether to the loop attached to the top of the camera.
6. Connect the mating connectors from the user-supplied cables from the pipe to the matching connectors from the camera. Refer to the chapter Connection for more information.

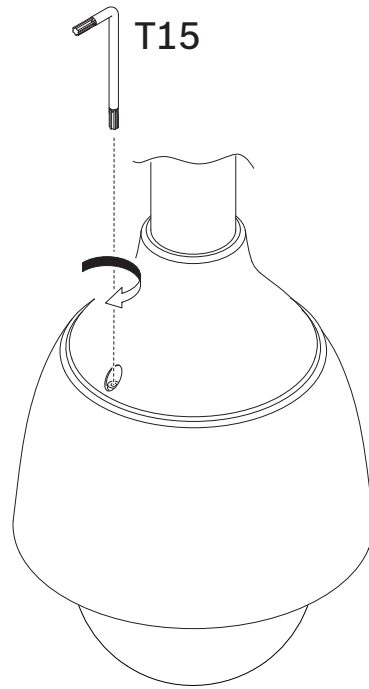
## 10.4 Attaching the Mounting Cap and the Camera

1. To ensure a watertight seal, wrap Teflon tape ( ) four times around the threads at the end of the mount.
2. Attach the mounting cap to the mount.
3. Secure the locking screw with the T15 Torx screwdriver.



4. Thread all connection cables through the mounting cap.
5. Attach the hook at the end of the Safety Tether to the loop attached to the top of the camera.
6. Connect the mating connectors on the user-supplied cables to the matching connectors on the camera. Refer to the chapter Connection for more information.







# 11 Connection



**Warning!**

**Bosch’s version of High PoE:**

If supplying power to the camera by HPoE or a midspan device, you must install additional surge protection.



**Caution!**

Compliance with EN50130-4 Alarm Standard - CCTV for Security Applications

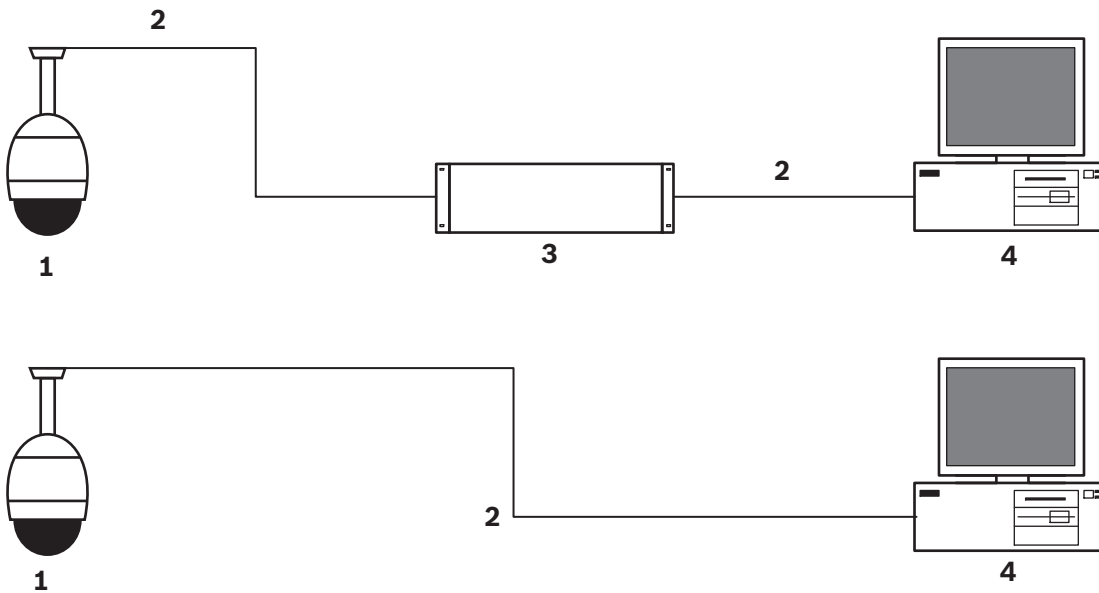
To meet the requirements of the EN50130-4 Alarm Standard, an ancillary uninterruptable power (UPS) supply is necessary. The UPS must have a **Transfer Time** between 2-6 ms and a **Backup Runtime** of greater than 5 seconds for the power level as specified on the product datasheet.

**Note:** Consult the National Electrical Code (NEC) or other regional standards for cable bundling requirements and limitations.

- ▶ Connect the cable to the 24 VAC wires from the camera.

Label ID	Description	Cable Wire Color
AC24V	24 VAC	Red
AC24V	24 VAC	Black
EARTH	Earth Ground	Yellow/Green

- ▶ Connect the Ethernet cable to the RJ45 connector of the camera. The following figure illustrates a typical system configuration.



**Figure 11.1:** AUTODOME IP System Configuration

1	AUTODOME camera
2	IP connection (Ethernet/Cat5) (100 m maximum)
3	Network switch
4	Network device (computer with monitor, DVR/NVR, etc.)

- ▶ If desired, connect the alarm and/or audio wires as identified in the following table.

<b>Label ID</b>	<b>Description</b>	<b>Cable Wire Color</b>
ALARM_COM	Alarm Communications	Red
ALARM_OUT	Alarm Out	Brown
ALARM_IN1	Alarm In 1	White
ALARM_IN2	Alarm In 2	Blue
AUDIO_OUT	Audio Out	Grey
GND	Ground	Black
AUDIO_GND	Audio Ground	Green
AUDIO_IN	Audio In	Purple

## 12 Decommissioning

### 12.1 Transfer

The device should only be passed on together with this Installation manual.

### 12.2 Disposal



**Disposal** - Your Bosch product was developed and manufactured with high-quality material and components that can be recycled and reused. This symbol means that electronic and electrical appliances, which have reached the end of their working life, must be collected and disposed of separately from household waste material. Separate collecting systems are usually in place for disused electronic and electrical products. Please dispose of these units at an environmentally compatible recycling facility, per *European Directive 2012/19/EU*.

# 13

## Support



### Support

Access our **support services** at [www.boschsecurity.com/xc/en/support/](http://www.boschsecurity.com/xc/en/support/).

Bosch Security and Safety Systems offers support in these areas:

- [Apps & Tools](#)
- [Building Information Modeling](#)
- [Commissioning](#)
- [Warranty](#)
- [Troubleshooting](#)
- [Repair & Exchange](#)
- [Product Security](#)



### Bosch Building Technologies Academy

Visit the Bosch Building Technologies Academy website and have access to **training courses**, **video tutorials** and **documents**: [www.boschsecurity.com/xc/en/support/training/](http://www.boschsecurity.com/xc/en/support/training/)







**Bosch Security Systems B.V.**

Torenallee 49

5617 BA Eindhoven

Netherlands

**[www.boschsecurity.com](http://www.boschsecurity.com)**

© Bosch Security Systems B.V., 2023

**Building solutions for a better life.**

202302102103