

Access Professional Edition 3.8

www.boschsecurity.com



BOSCH
Invented for life



- ▶ Access management software for small and medium-sized companies
- ▶ Cardholder administration of up to 10.000 cardholders
- ▶ Video verification, video alarm verification, and video monitoring of live and recorded events
- ▶ Alarm management with details via alarm list and animated icons on interactive location maps
- ▶ Support of Bosch hardware including low frequency and high frequency readers, Bosch coded credentials, and the AMC2 product family

This software provides access control for small and medium-sized companies. The installation is simple and fast. It is easy to use and enables a user with minimal training to create badges and administer access rights.

Specific event logging and reportings provide an easy overview of access rights and access data. The Access Modular Controller (AMC) family, including Wiegand protocol and OSDPV2 via RS485 protocol, is fully supported by the software, offering highest flexibility in system design.

The software includes card personalization, providing you with the means to create IDs, design badges and capture image with USB cameras.

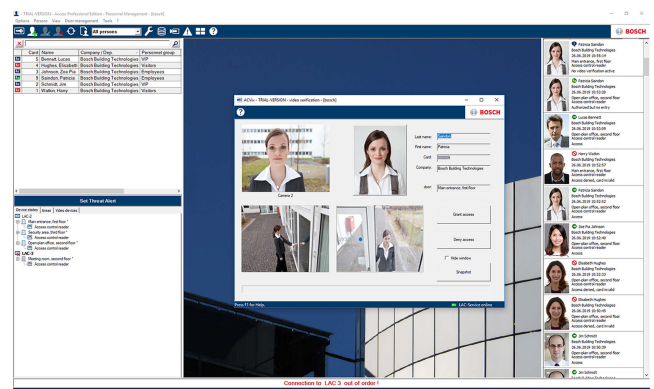
System overview

Alarm events are queued in a list and can easily be located with the support of navigation maps and animated icons.

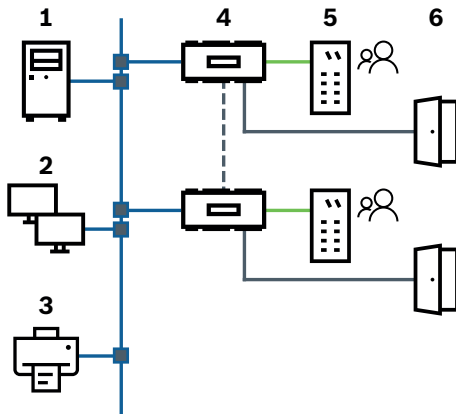
The software can be setup on a single workstation computer or on a client-server system with a central server and remote workstations.

The software offers a map viewer, which provides a graphical representation of the premises with device control directly from the map (e.g. doors opened or cameras activated).

The software offers an integrated video functionality with a wide range of Bosch IP devices. An operator can perform video verification by comparing live streams with the database image of the person that is requesting access.



Functions



Position	Description
1	Server with Access Professional Edition (APE)
2	Workstations
3	Printer
4	Access Modular Controller (AMC)
5	Reader
6	Door strikes

Together with the Bosch Access Modular Controllers, the Access Professional Edition (APE) system offers the following features:

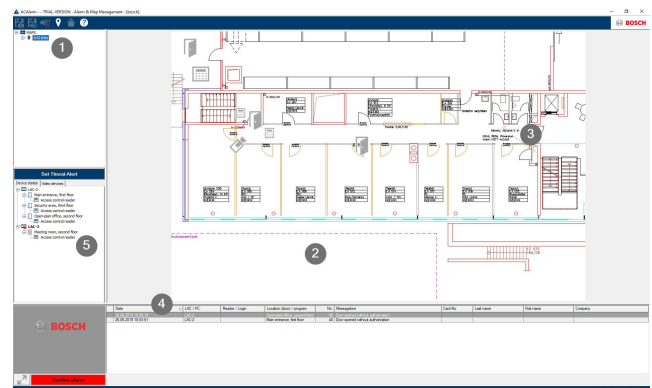
- A wide range of pre-defined and self-explanatory door models allow fast and easy hardware configuration.
- Time zone support for AMC allows installations across different time zones.
- Time models for time-based access permission, automatic activation/deactivation of cardholder and system settings.
- Online swipe that displays real-time history of accesses and door events.
- PIN code verification functions:
 - Verification PIN with alarm code feature
 - Identification PIN - with PIN only
 - Intrusion Detection System (IDS) PIN to arm special areas
- Choose between access modes:
 - Card only
 - Card with PIN (verification PIN)
 - PIN or Card (identification PIN)
- Choose between access modes for biometric readers:
 - Card plus fingerprint
 - Card or fingerprint
 - Card only
 - Fingerprint only
- Temporary activation/blocking of cardholders, either manually or time controlled.
- Additional input fields for cardholder information.
- Support of anti-passback.

- Card personalization for importing cardholder images and creating your individual corporate badge designs.
- Up to three cards can be assigned to a person.
- Features supporting GDPR conformity (e.g. acknowledgement printout) .
- Creation of logical areas, which could be single rooms, groups of rooms, whole floors or parking lots.
- Use of input and output signals from the Bosch AMC family including intrusion and tamper detection.
- Detailed event log of recorded access and system events.
- Integrated filter and reporting functionality.
- Export of report and event log data into standard CSV-format for further processing.
- Comprehensive online help.

Alarm management

The alarm list of the software shows all incoming alarms to the operator.

Alarms can be accepted by the operator. In case of an alarm, the location map will be displayed. The icon of the device that triggered the alarm is highlighted.



Position	Description
1	Map tree
2	Active location map
3	Device control from the map
4	Alarm list with event information (including video)
5	Device tree

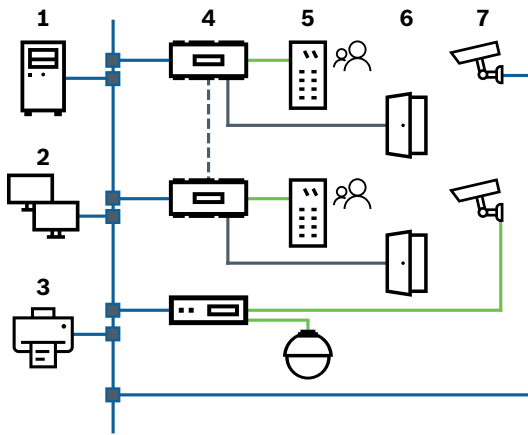
Licensed features

Additional features can be added to meet specific customer requirements. They extend to the Access Professional Edition base system and require additional licenses.

Video

The integrated video functionality allows the assignment of up to five cameras to surveil an entrance.

With video verification, the security level is raised by comparing the person's database image with a live stream while the environment can be observed for tailgating or possible threats.



Position	Description
1	Server with Access Professional Edition (APE)
2	Workstations
3	Printer
4	Access Modular Controller (AMC)
5	Reader
6	Door strikes
7	Cameras (additional license needed)
8	DVR encoder (additional license needed)

Additional functionalities are:

- Alarm verification - providing live images caused by typical alarms around a door.
- Video playback from archives reporting on access requests or alarm situation with minimum search time.
- Live video can be selected from a single camera or 2x2 matrix (quad mode).

Milestone XProtect integration

The software offers an integration with the Milestone XProtect video management solution.

Following features are available with the integration:

- Entrance monitoring with simultaneous live view and instant playback
- Video verification is handled via Milestone XProtect
- Change entrance status via MapViewer
- History event log with video footage and card holder details

Using Milestone XProtect, MapViewer, video features and alarm list will be disabled in the software.



The Milestone XProtect Plugin download is available in the Bosch Security Systems online product catalog.

SDK for operational functions

The Access Professional Edition SDK for operational functions can be used by developers to integrate access control functionalities into their applications. SDK integration of access control on 3rd party applications enables the following functionalities:

1. Read, create, update and delete personnel data
1. Assign cards and authorizations to persons
1. Event trigger for entries and transactions
1. Read all entries and existing transactions with filtering possibility
1. Direct control of the access to doors

Technical specifications

General

Max. number of active cardholders	10,000
Max. cards per person	3
PIN codes	4 to 8 digits
PIN code types	<ul style="list-style-type: none"> • Verification PIN • Identification PIN • Arming PIN • Door PIN
Access modes	<ul style="list-style-type: none"> • Card only • Card with PIN (verification PIN) • PIN or Card (identification PIN) • Biometric
Card enrollment	<ul style="list-style-type: none"> • USB enrollment devices • AMC connected readers
Max. number of time profiles	255
Max. number of access authorizations	255
Max. number of area/time authorizations	255

Max. number of access authorizations groups	255
Max. number of readers	512
Max. number of remote workstations	16
Max. number of I/O extension boards per AMC	3
Software compatibility	<ul style="list-style-type: none"> Windows 2016 (Server, 64 bit) Windows 10 (Pro or Enterprise, 64 bit)
Supported languages	<ul style="list-style-type: none"> English French German Dutch Japanese Polish Simplified Chinese Russian Spanish Portuguese (Brazil)

Map viewer

Max. number of maps	128
Max. number of device per maps	64
Max. map links per map	64
Max. map size	2 MB
Map viewer formats	JPEG, BMP, PNG

Video

Max. number of cameras	128
Identification cameras per entrance	1
Surveillance cameras per entrance	= < 4
Back surveillance per entrance	2
Front surveillance per entrance	2
Alarm and logbook cameras per entrance	1

Ordering information

ASL-APE3P-BASE License for basic package

1 Client, 16 Readers, 2,000 Cards
Order number **ASL-APE3P-BASE**

ASL-APE3P-BEXT License for extended basic package

2 Clients, 64 Readers, 10,000 Cards
Order number **ASL-APE3P-BEXT**

ASL-APE3P-RDR License for reader expansion

16 additional readers.
Order number **ASL-APE3P-RDR**

ASL-APE3P-CLI License for user/client expansion

One additional client
Order number **ASL-APE3P-CLI**

ASL-APE3P-VIDB License for video basic package

Enables video with 16 channels
Order number **ASL-APE3P-VIDB**

ASL-APE3P-VIDE License for video expansion

16 additional channels.
Order number **ASL-APE3P-VIDE**

ASL-APE3P-OLSB License Pegasys offline basic package

Enables Offline Locking System (OLS) with 16 doors
Order number **ASL-APE3P-OLSB**

ASL-APE3P-OLSE License for Pegasys offline extension

One additional door for the Offline Locking System (OLS).
Order number **ASL-APE3P-OLSE**

ASL-APE3P-RDRL License for reader limit up to 512

Extends APE to a maximum number of 512 readers.
Order number **ASL-APE3P-RDRL**

ASL-APE3P-XPRO License for Milestone XProtect Plugin

Video management and security management handled through the Milestone XProtect system, with Entrance monitoring, Video verification, Mapviewer, and Alarm management.
Order number **ASL-APE3P-XPRO**

ASL-APE3P-API License for SDK for cardholder data

Software Development Kit (SDK) to connect APE, for example, to a Time & Attendance system: to import cardholder master records, and to export access control events. The SDK, with its command set, has its own documentation.
Order number **ASL-APE3P-API**

Represented by:

Europe, Middle East, Africa:
Bosch Security Systems B.V.
P.O. Box 80002
5600 JB Eindhoven, The Netherlands
Phone: + 31 40 2577 284
emea.securitysystems@bosch.com
emea.boschsecurity.com

Germany:
Bosch Sicherheitssysteme GmbH
Robert-Bosch-Ring 5
85630 Grasbrunn
Germany
www.boschsecurity.com

North America:
Bosch Security Systems, Inc.
130 Perinton Parkway
Fairport, New York, 14450, USA
Phone: +1 800 289 0096
Fax: +1 585 223 9180
onlinehelp@us.bosch.com
www.boschsecurity.us

Asia-Pacific:
Robert Bosch (SEA) Pte Ltd, Security Systems
11 Bishan Street 21
Singapore 573943
Phone: +65 6571 2808
Fax: +65 6571 2699
apr.securitysystems@bosch.com
www.boschsecurity.asia